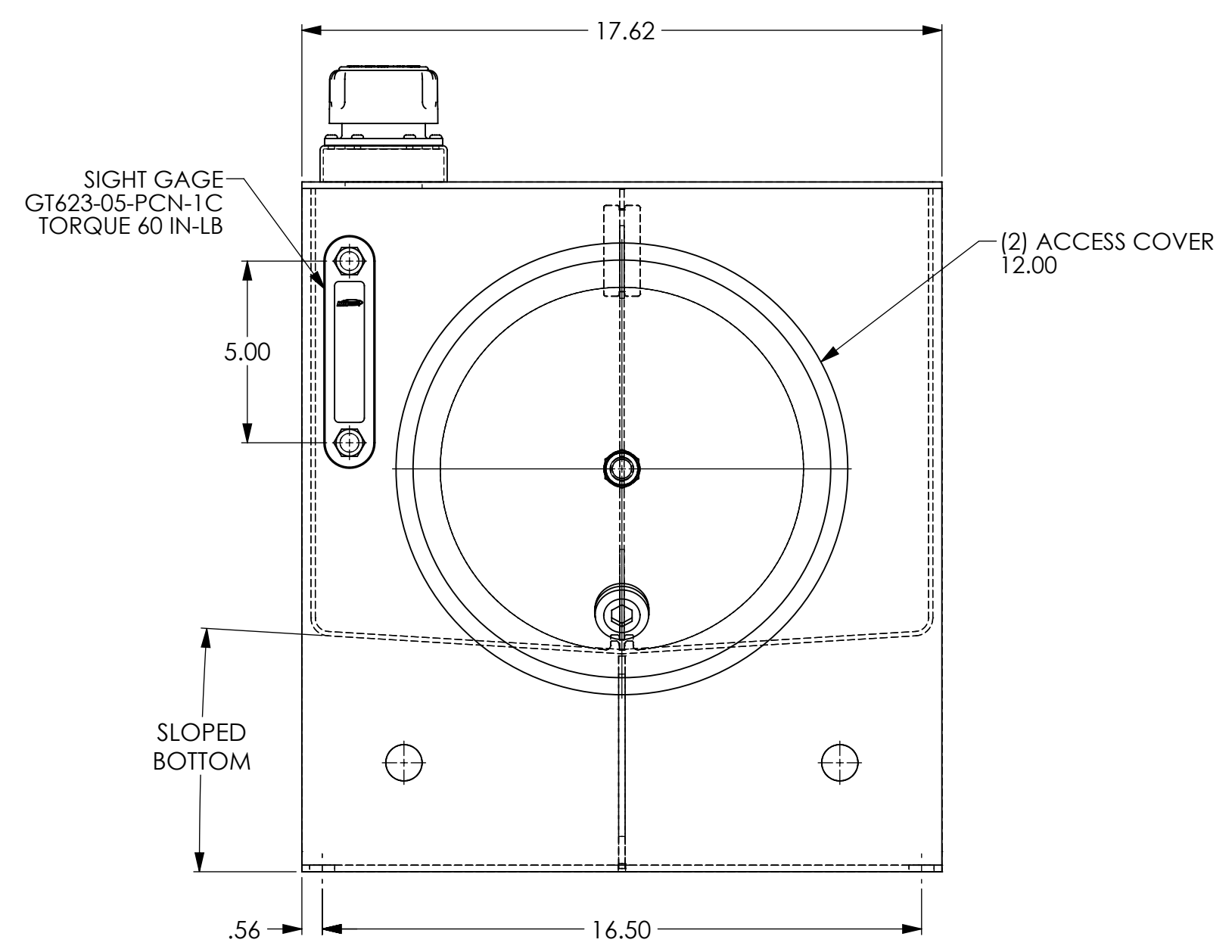
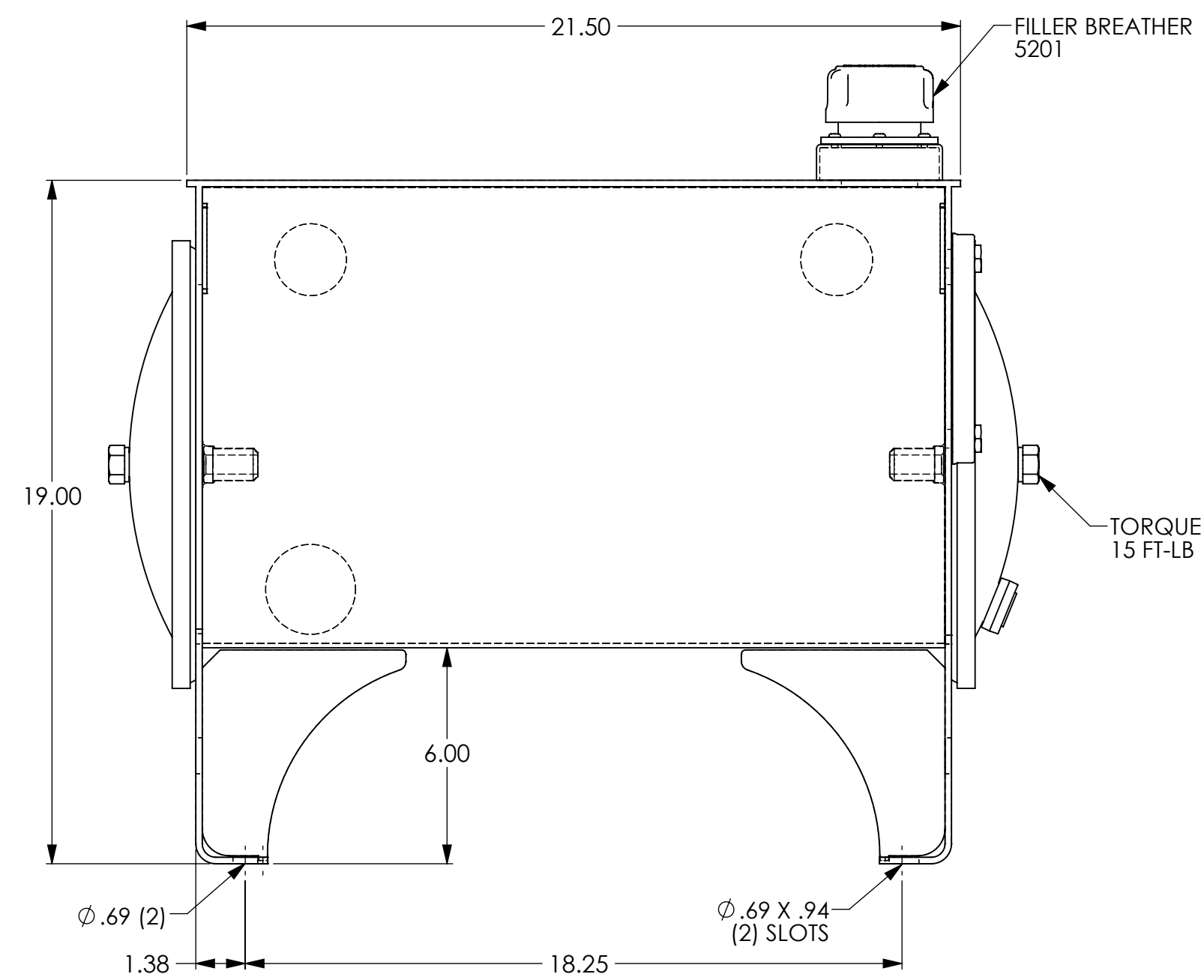


- NOTES:
1. THIS RESERVOIR IS DESIGNED FOR STATIONARY INSTALLATIONS, ANY MOBILE INSTALLATIONS ARE SUBJECT TO FACTORY REVIEW
  2. THIS RESERVOIR IS THOROUGHLY CLEANED, A RUST INHIBITOR APPLIED TO THE INTERIOR, AND PRIME PAINTED GRAY PRIOR TO SHIPMENT
  3. MAXIMUM OPERATING TEMPERATURE IS 212° F, FOR HIGHER TEMPERATURES CONSULT FACTORY
  4. ALL PORTS ARE PLASTIC PLUGGED AND PROTECTED FOR SHIPPING
  5. SHIPPED LOOSE: SIGHT GAGE (TRANSPARENT MOLDED NYLON WITH BLACK POWDER COATED STEEL GUARD)  
FILLER BREATHER (STEEL WITH ZINC TRIVALENT CHROME FINISH)
  6. ALL SEALS ARE BUNA N



ALL DIMENSIONS FOR REFERENCE ONLY UNLESS OTHERWISE SPECIFIED ALL DIMENSIONS ARE IN INCHES

NAME	DATE
DRAWN BY AJO	01/18/2019
CHECKED BY MAT	02/04/2019
REVISED BY MAT	01/16/2019

TITLE:  
RES\_STYLE\_A\_10GAL\_STL\_PRM



MANITOWOC, WI HUNTLEY, IL  
MATERIAL STEEL\_GRS0  
FINISH SEE NOTES

THIS DOCUMENT CONTAINS INFORMATION PROPRIETARY TO LDI INDUSTRIES, INC. AND IS FURNISHED UPON THE EXPRESS CONDITION THAT THE INFORMATION CONTAINED HEREIN WILL NOT BE DISCLOSED TO ANY THIRD PARTY OR USED DIRECTLY OR INDIRECTLY IN ANY WAY DETRIMENTAL TO THE INTEREST OF LDI INDUSTRIES, INC.

ECN NO	
SIZE C	DWG. NO. V10010_REF
REV J	