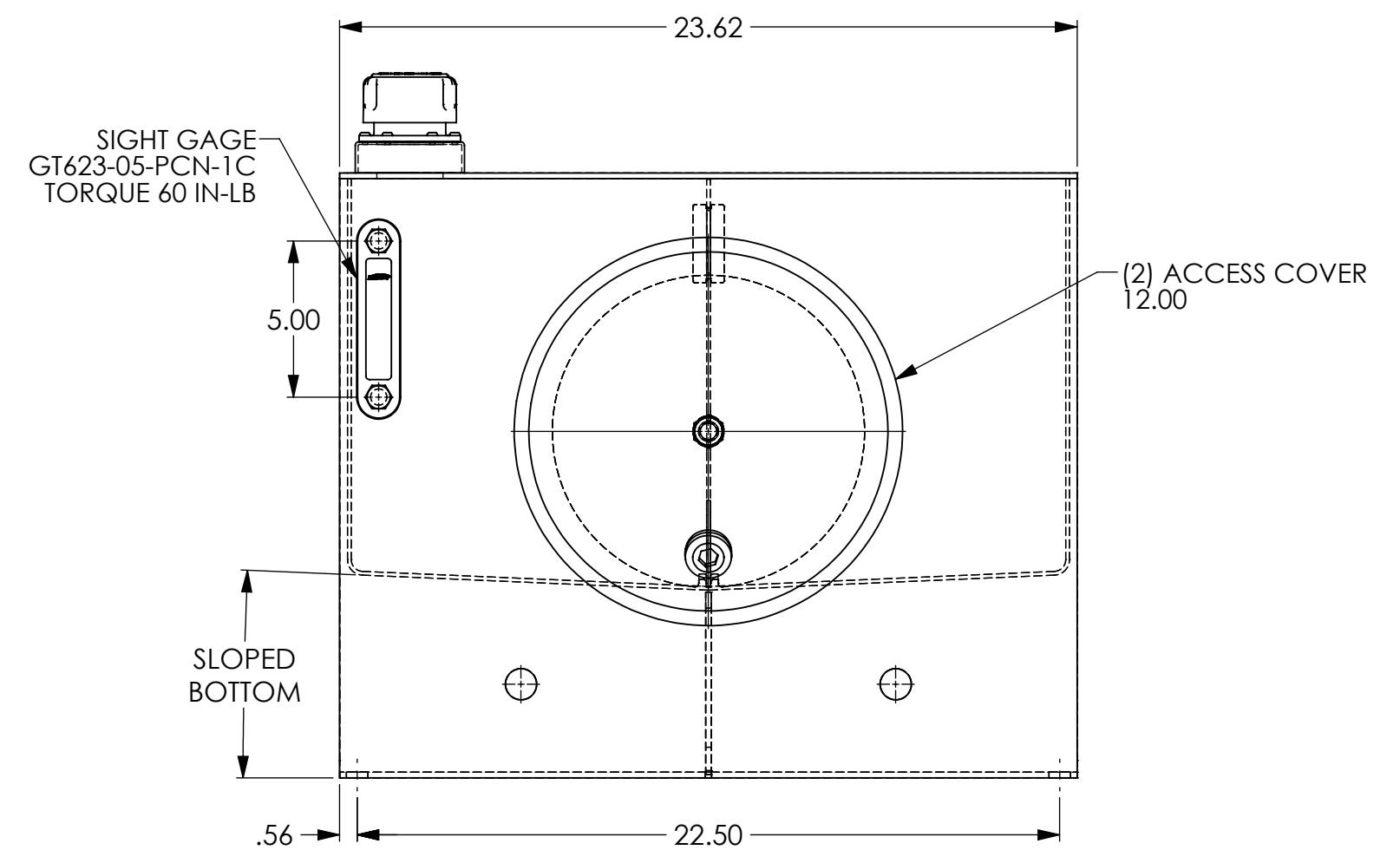
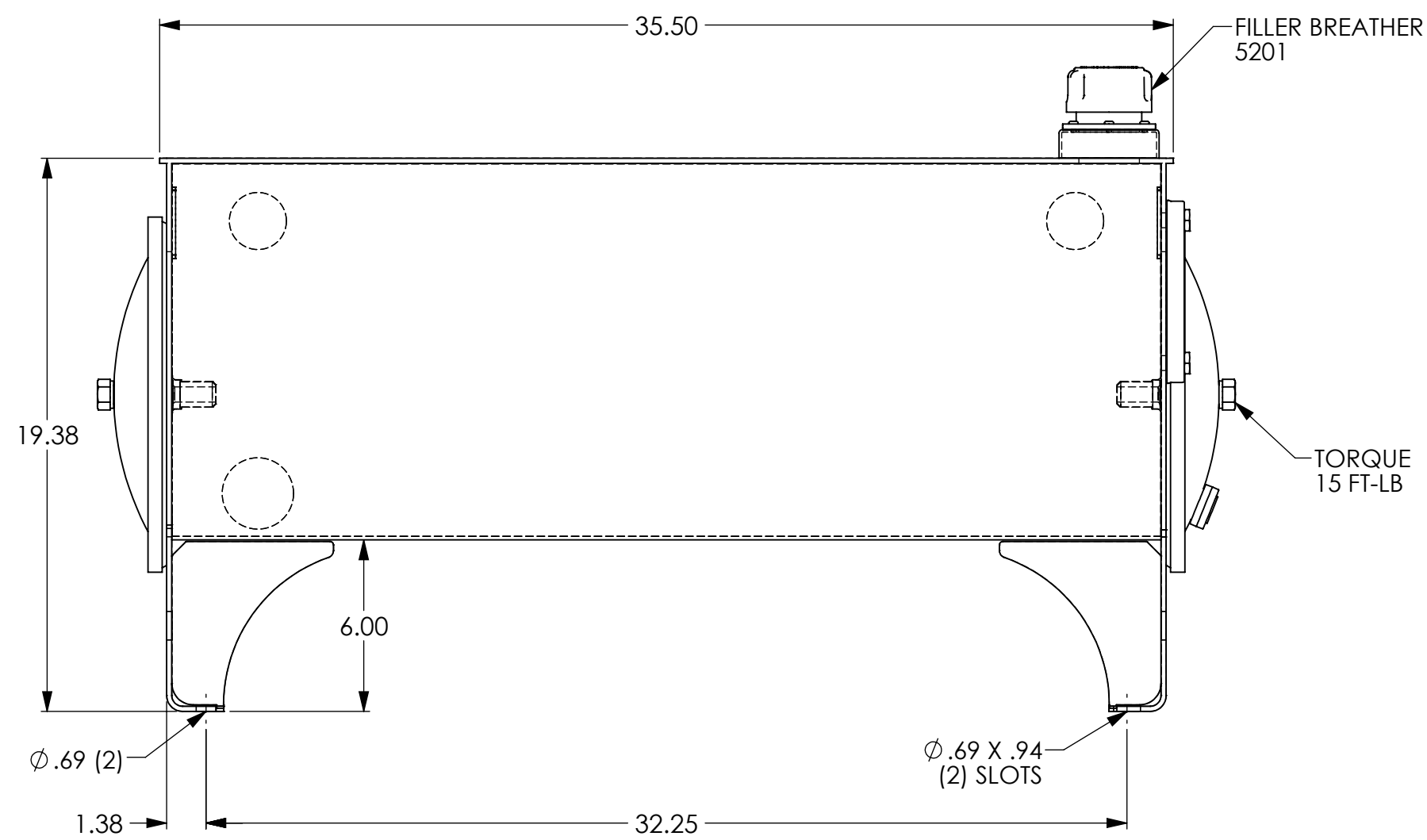




- NOTES:
1. THIS RESERVOIR IS DESIGNED FOR STATIONARY INSTALLATIONS, ANY MOBILE INSTALLATIONS ARE SUBJECT TO FACTORY REVIEW
 2. THIS RESERVOIR IS THOROUGHLY CLEANED, A RUST INHIBITOR APPLIED TO THE INTERIOR, AND PRIME PAINTED GRAY PRIOR TO SHIPMENT
 3. MAXIMUM OPERATING TEMPERATURE IS 212° F, FOR HIGHER TEMPERATURES CONSULT FACTORY
 4. ALL PORTS ARE PLASTIC PLUGGED AND PROTECTED FOR SHIPPING
 5. SHIPPED LOOSE: SIGHT GAGE (TRANSPARENT MOLDED NYLON WITH BLACK POWDER COATED STEEL GUARD)
FILLER BREATHER (STEEL WITH ZINC TRIVALENT CHROME FINISH)
 6. ALL SEALS ARE BUNA N



ALL DIMENSIONS FOR REFERENCE ONLY
UNLESS OTHERWISE SPECIFIED ALL DIMENSIONS ARE IN INCHES

NAME	DATE
DRAWN BY AJO	01/21/2019
CHECKED BY MAT	02/04/2019
REVISED BY MAT	01/16/2019

TITLE:
RES_STYLE_A_30GAL_STL_PRM

LDI Industries
MANITOWOC, WI HUNTLEY, IL
MATERIAL STEEL_GR50
FINISH SEE NOTES
CUST NO -

THIS DOCUMENT CONTAINS
INFORMATION PROPRIETARY TO LDI
INDUSTRIES, INC. AND IS FURNISHED
UPON THE EXPRESS CONDITION THAT THE
INFORMATION CONTAINED HEREIN WILL
NOT BE DISCLOSED TO ANY THIRD PARTY
OR USED DIRECTLY OR INDIRECTLY IN ANY
WAY DETRIMENTAL TO THE INTEREST OF
LDI INDUSTRIES, INC.

ECN NO 2019011502

SIZE DWG. NO.
C V10030_REF

REV
H

DO NOT SCALE DRAWING SCALE: 3:16 WT(LB): 171.90 SHT 1 OF 1