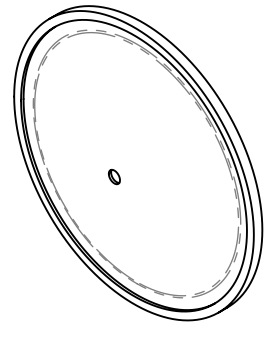
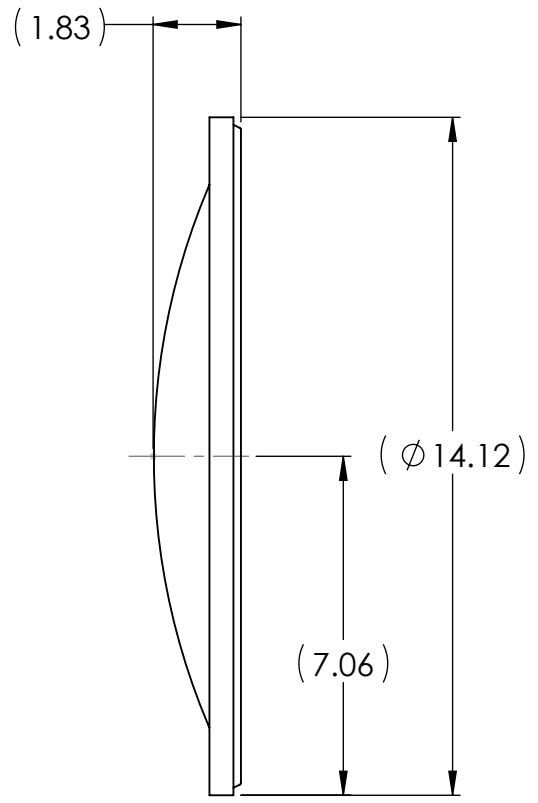
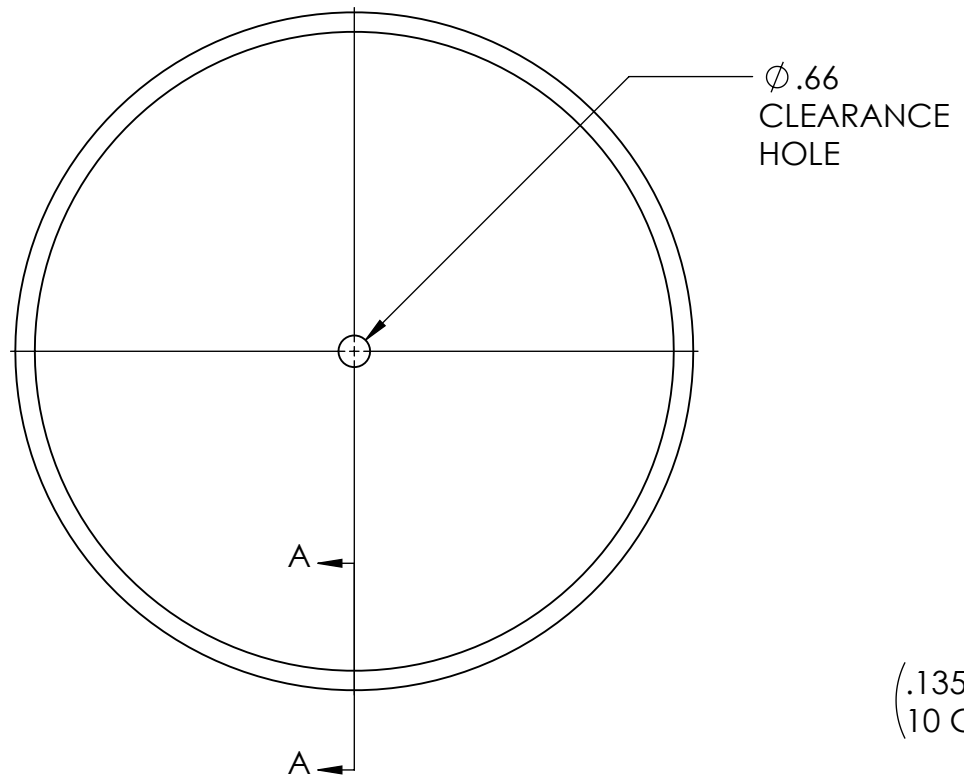
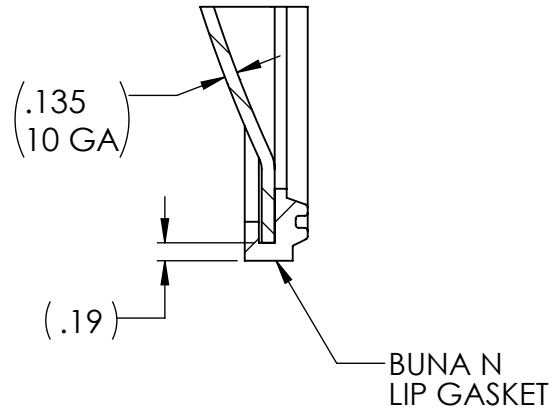


8 7 6 5 4 3 2 1

- NOTES:
 1. RECOMMENDED TORQUE: 15 FT LB
 2. ACCESS HOLE DIA: 12.00 INCH



SCALE 1 : 8



SECTION A-A
SCALE 1 : 2

ALL DIMENSIONS FOR REFERENCE ONLY
 UNLESS OTHERWISE SPECIFIED ALL DIMENSIONS ARE IN INCHES

LDI Industries
 MANITOWOC, WI HUNTLEY, IL
 MATERIAL 304 STAINLESS STEEL
 FINISH NONE
 CUST NO -

	NAME	DATE
DRAWN BY	TLS	08/09/2016
CHECKED BY	TLS	08/09/2016
REVISED BY	-	-

TITLE: ENDCVR_14_SS		
ECN NO -		

THIS DOCUMENT CONTAINS
 INFORMATION PROPRIETARY TO LDI
 INDUSTRIES, INC. AND IS FURNISHED
 UPON THE EXPRESS CONDITION THAT THE
 INFORMATION CONTAINED HEREIN WILL
 NOT BE DISCLOSED TO ANY THIRD PARTY
 OR USED DIRECTLY OR INDIRECTLY IN ANY
 WAY DETRIMENTAL TO THE INTEREST OF
 LDI INDUSTRIES, INC.

SIZE B	DWG. NO. 5071-SS_REF	REV -
------------------	-------------------------	----------

DO NOT SCALE DRAWING	SCALE: 1:4	WT(LB): 6.48	SHT 1 OF 1
----------------------	------------	--------------	------------

8 7 6 5 4 3 2 1