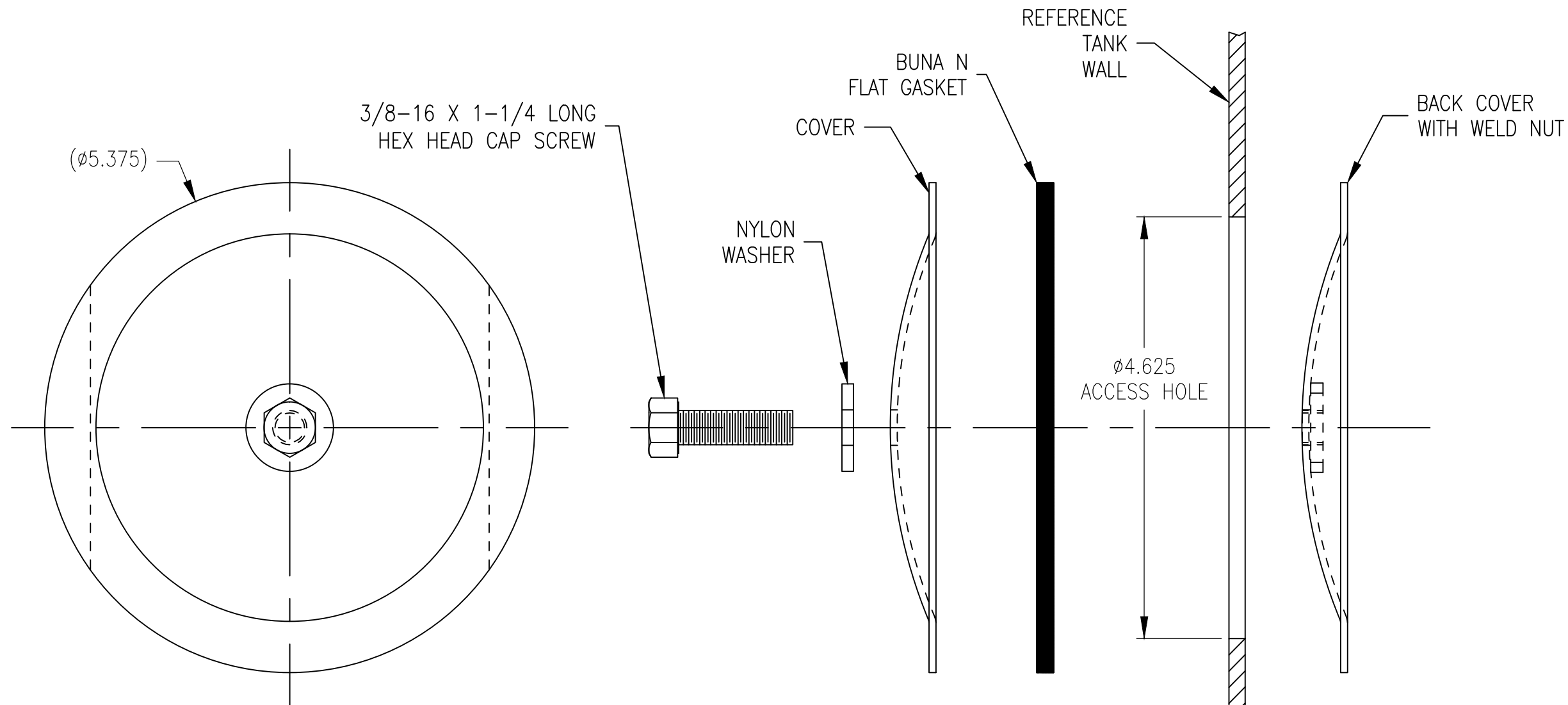


NOTES:

1. AVAILABLE AS ASSEMBLY ONLY
2. OPERATING TEMPERATURE IS 180° F MAXIMUM. FOR HIGHER TEMPERATURES CONSULT FACTORY.
3. RECOMMENDED ASSEMBLY TORQUE: ENDCOVER (8 FT LB)



THIS DOCUMENT CONTAINS INFORMATION PROPRIETARY TO LDI Industries, Inc. AND IS FURNISHED UPON THE EXPRESS CONDITION THAT THE INFORMATION CONTAINED HEREIN WILL NOT BE DISCLOSED TO ANY THIRD PARTY OR USED DIRECTLY OR INDIRECTLY IN ANY WAY DETRIMENTAL TO THE INTEREST OF LDI Industries, Inc.



TITLE COVER\_ASM\_6IN\_STL\_ZY  
LDI STANDARD PRODUCT

DWG NO./ITEM NO. V1917\_REF

DRWN TLS DATE 2/6/15 CHKD - DATE - SHT 1/1 REV A

MATERIAL	ZINC PLATED CARBON STEEL	TOLERANCES UNLESS OTHERWISE SPECIFIED
FINISH	-	( ) REFERENCE DIMENSIONS
NOM WT (LBS.)	1.25	SCALE 3/4
		DO NOT SCALE DRAWING

REV	DATE	ECN NO.	BY
-	-	-	-