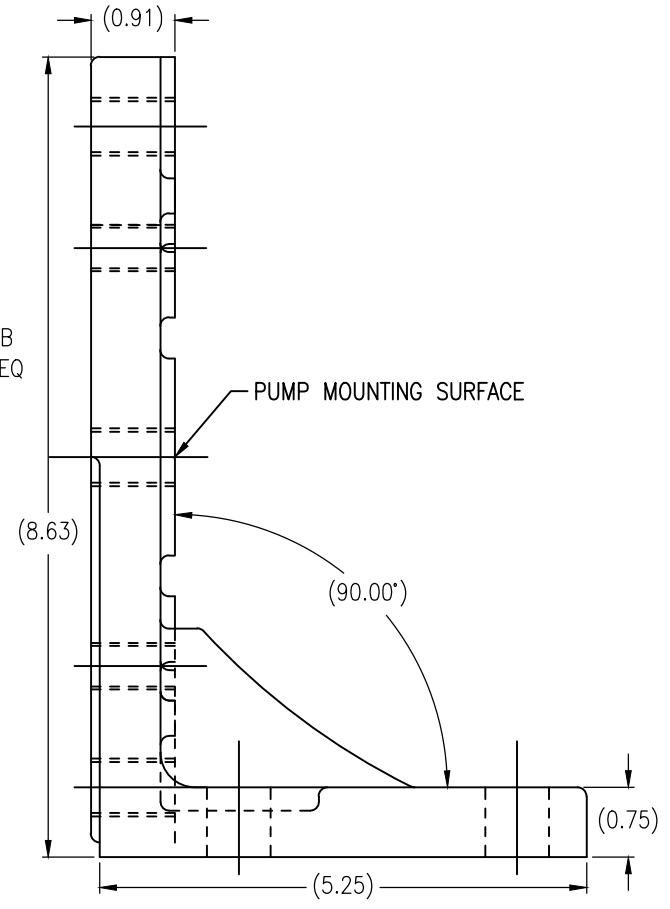
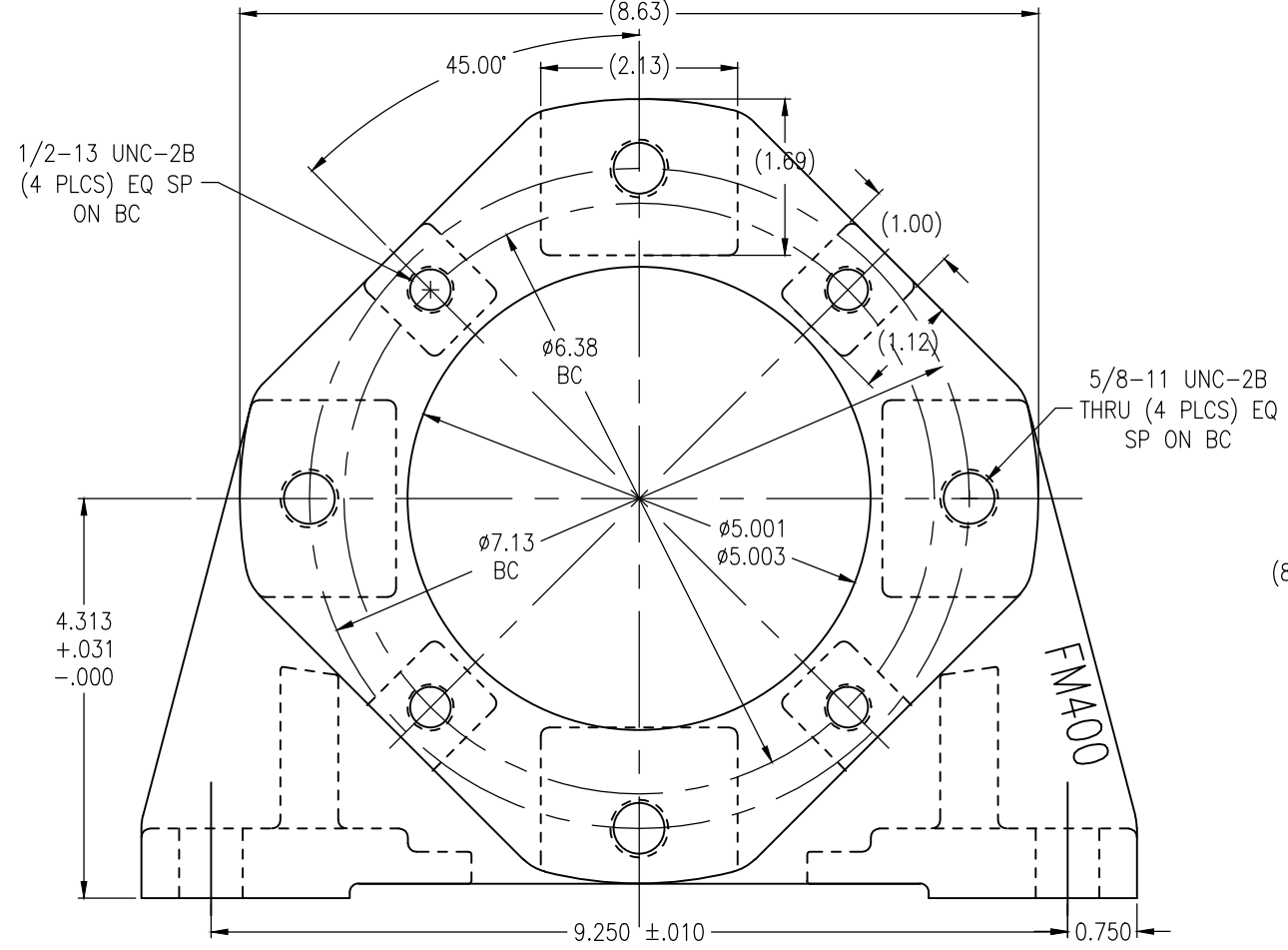
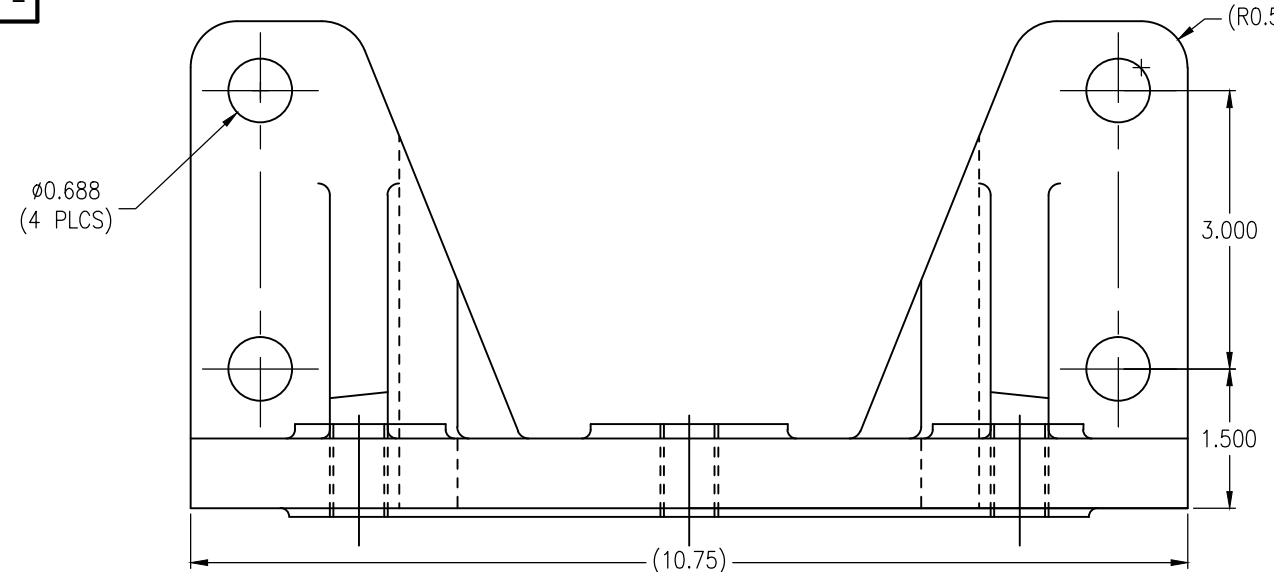


DWG. NO. -

INDEX	QTY	ITEM NO.	DESCRIPTION
-	-	-	-



NOTES:  
 1. FOR FOOT MOUNTING PUMPS AND MOTORS WITH SAE C (2) OR (4) BOLT MOUNTING FLANGES

MATL	CAST IRON	TOLERANCES UNLESS OTHERWISE SPECIFIED	THIS DOCUMENT CONTAINS INFORMATION PROPRIETARY TO LDI Industries, Inc. AND IS FURNISHED UPON THE EXPRESS CONDITION THAT THE INFORMATION CONTAINED HEREIN WILL NOT BE DISCLOSED TO ANY THIRD PARTY OR USED DIRECTLY OR INDIRECTLY IN ANY WAY DETRIMENTAL TO THE INTEREST OF LDI Industries, Inc.								
MATL ITEM NO.	-	MACHINED COMPONENTS:									
MATL DESC	-	.XX ±.010 .XXX ±.005									
FINISH	PLAIN	ALL RADII: .030 MAX ANGLES ±1/2°									
CUST NO.	-	SURFACE FIN. 200 Ra BRK CORNERS .030 MAX									
SIMILAR TO	-	FABRICATED COMPONENTS:	<b>LDI Industries</b> <b>LDI INDUSTRIES, INC.</b> MANITOWOC, WI HUNTLEY, IL								
NOM WT (LBS.)	APPROX. 16.00	.X ±.12 .XX ±.06 .XXX ±.015									
RFQ NO.	-	ANGLES ±1-1/2° BRK CORNERS .030 MAX									
<table border="1"> <tr> <td>REV</td> <td>DATE</td> <td>ECN NO.</td> <td>BY</td> </tr> <tr> <td>-</td> <td>-</td> <td>-</td> <td>-</td> </tr> </table>			REV	DATE	ECN NO.	BY	-	-	-	-	TITLE BRACKET_FTMT_SAE C 2/4 BOLT DWG NO./ITEM NO. FM400_REF SCALE 1/2 DO NOT SCALE DRAWING DRWN DLH DATE 06/28/17 CHKD - DATE - SHT 1/1 REV -
REV	DATE	ECN NO.	BY								
-	-	-	-								