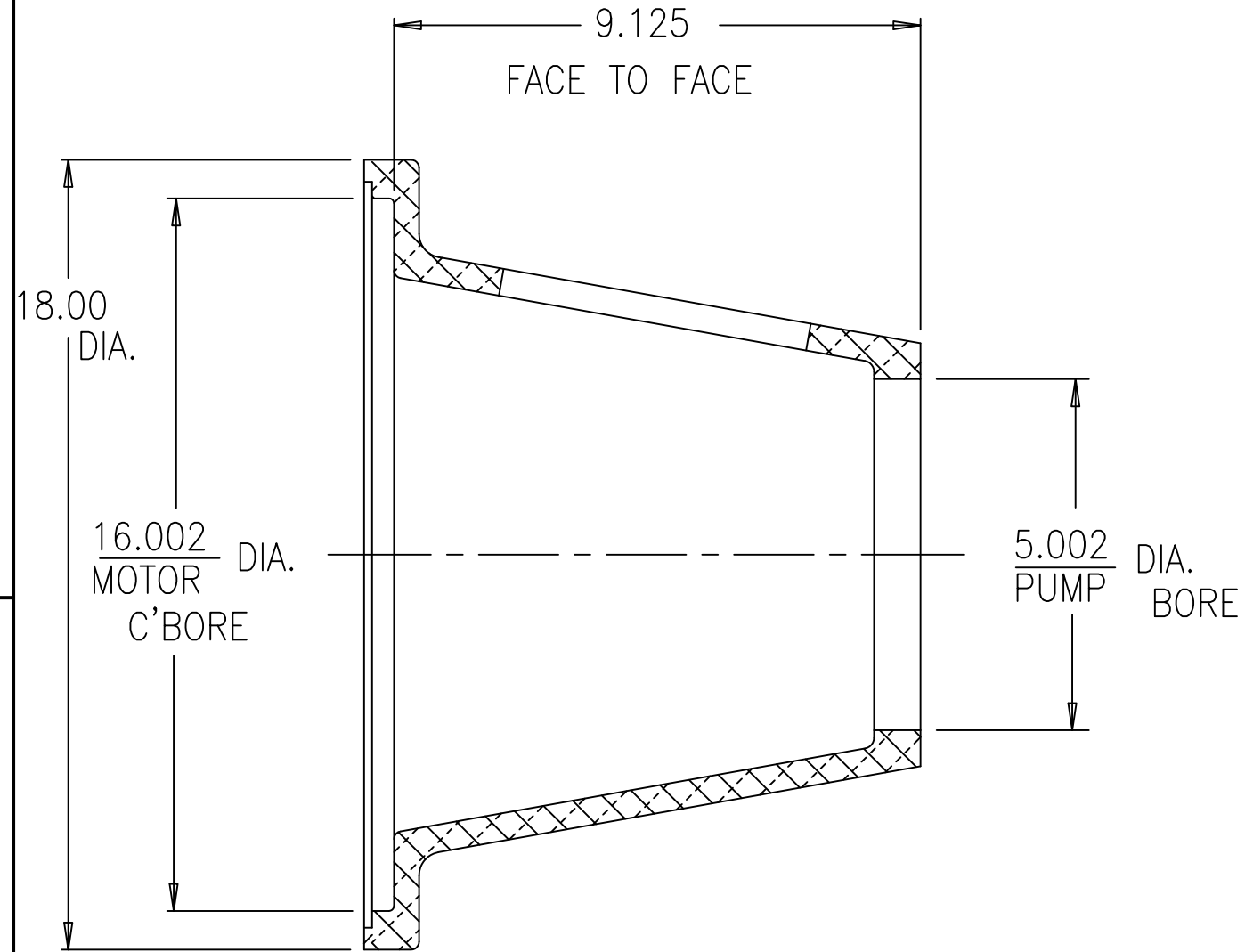
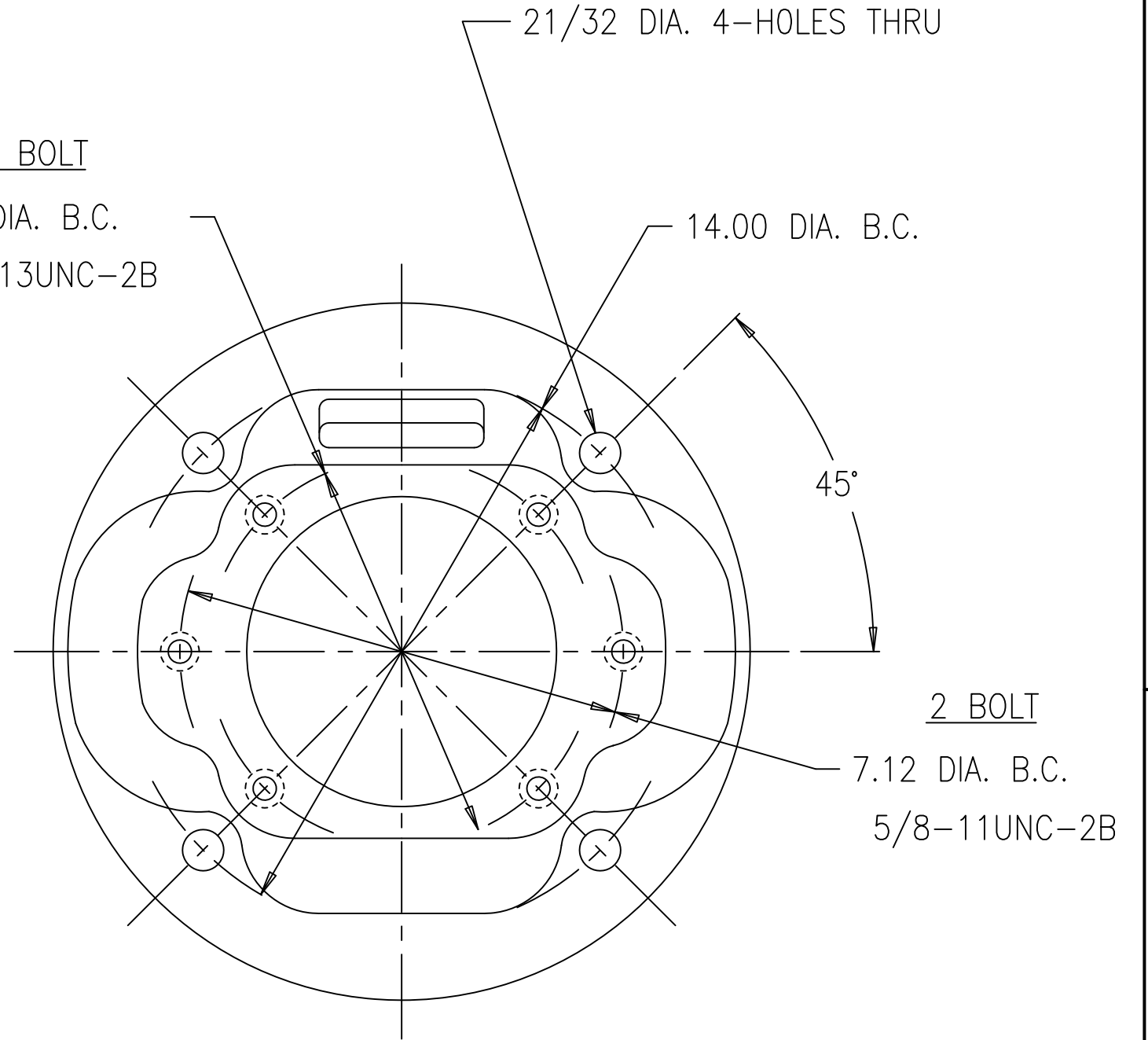


NOTES:

1. ALL DIMENSIONS FOR REFERENCE ONLY
2. HORIZONTAL MOUNTING ONLY
3. MOUNTING BOLTS INCLUDED



4 BOLT
 6.38 DIA. B.C.
 1/2-13UNC-2B



2 BOLT
 7.12 DIA. B.C.
 5/8-11UNC-2B

THIS DOCUMENT CONTAINS INFORMATION PROPRIETARY TO LDI Industries, Inc. AND IS FURNISHED UPON THE EXPRESS CONDITION THAT THE INFORMATION CONTAINED HEREIN WILL NOT BE DISCLOSED TO ANY THIRD PARTY OR USED DIRECTLY OR INDIRECTLY IN ANY WAY DETRIMENTAL TO THE INTEREST OF LDI Industries, Inc.



TITLE PMA_444/445_2/4-BOLT_8.88FF
 LDI STANDARD PRODUCT

DWG NO./ITEM NO. 1880

MATERIAL	CAST ALUMINUM	TOLERANCES UNLESS OTHERWISE SPECIFIED
FINISH	NONE	() REFERENCE DIMENSIONS
NOM WT (LBS.)	-	

B	12/30/22	CREATED DWG	AJOZ
REV	DATE	ECN NO.	BY

SCALE - DO NOT SCALE DRAWING

DRWN	AJO	DATE	12/30/22	CHKD	-	DATE	-	SHT	1/1	REV	B
------	-----	------	----------	------	---	------	---	-----	-----	-----	---