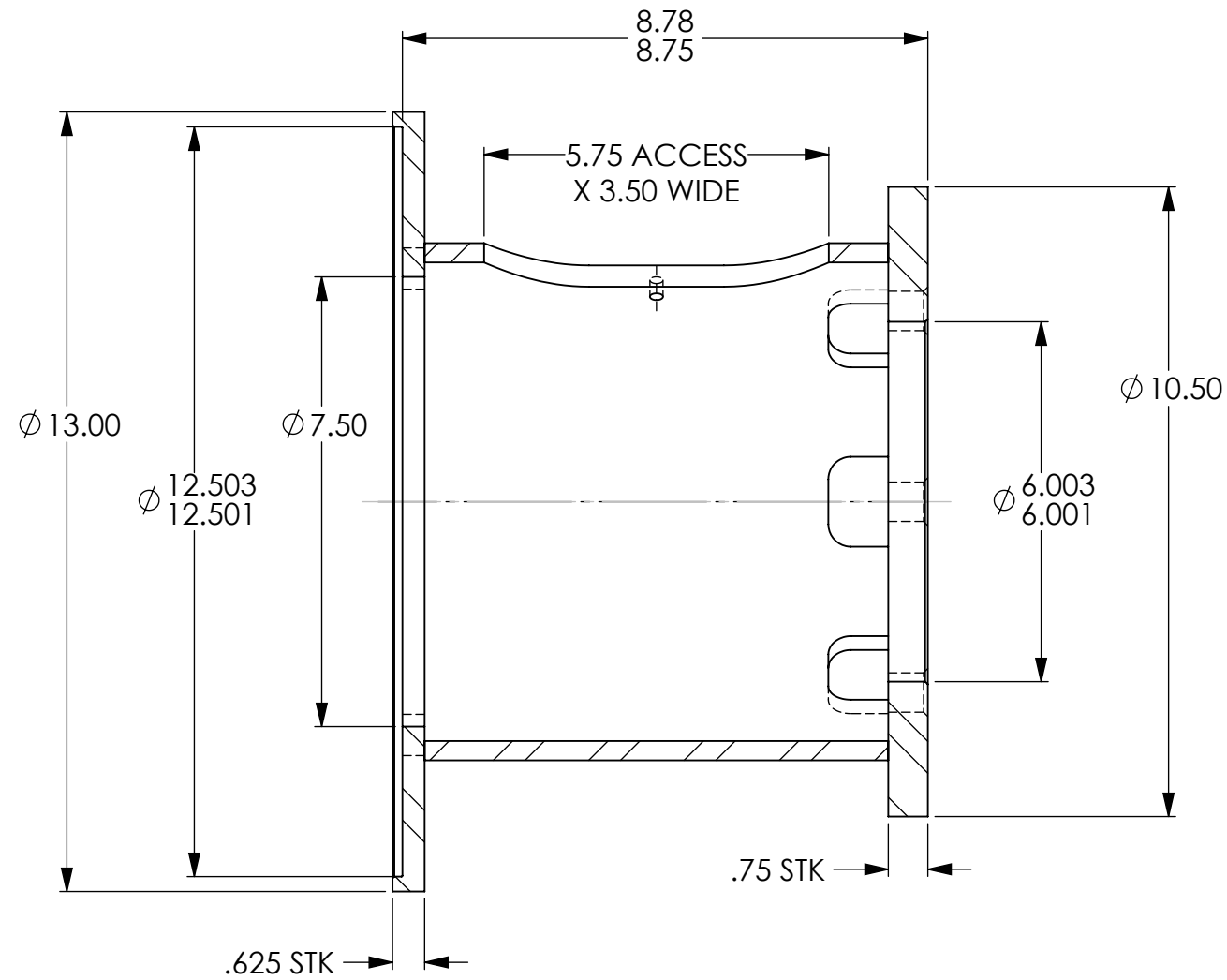
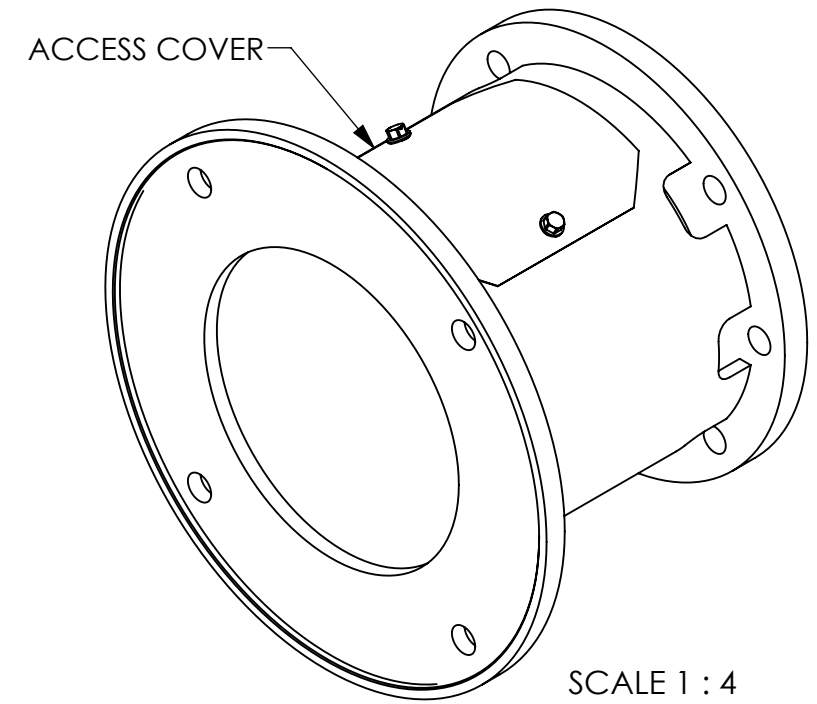
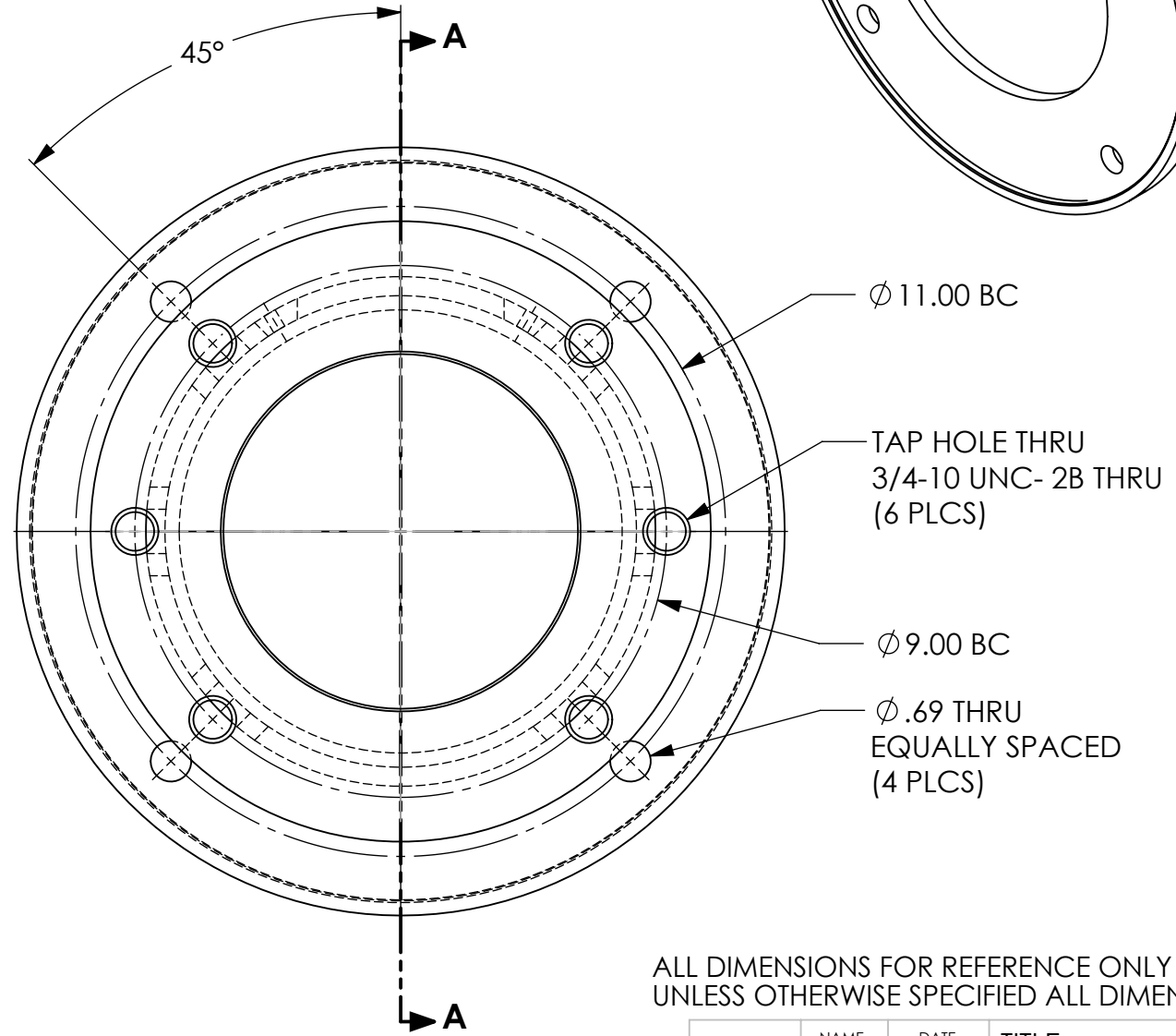


- NOTES:  
 1. HORIZONTAL MOUNTING ONLY  
 2. EXTERIOR SURFACES PRIME PAINTED GRAY  
 3. SHIPPED LOOSE: WARNING LABEL, MOTOR MTG BOLTS 5/8-11UNC X 1.50LG



SECTION A-A



ALL DIMENSIONS FOR REFERENCE ONLY  
 UNLESS OTHERWISE SPECIFIED ALL DIMENSIONS ARE IN INCHES

DRAWN BY	NAME	DATE	TITLE:	
AJO	AJO	03/15/2023	PMA_324/405_8.75FF_STL_2/4D6.0	
CHECKED BY	-	-	-	
REVISED BY	-	-	-	
THIS DOCUMENT CONTAINS INFORMATION PROPRIETARY TO LDI INDUSTRIES, INC. AND IS FURNISHED UPON THE EXPRESS CONDITION THAT THE INFORMATION CONTAINED HEREIN WILL NOT BE DISCLOSED TO ANY THIRD PARTY OR USED DIRECTLY OR INDIRECTLY IN ANY WAY DETRIMENTAL TO THE INTEREST OF LDI INDUSTRIES, INC.			ECN NO	-
MANITOWOC, WI HUNTLEY, IL		MATERIAL	SIZE	REV
FINISH		SEE BOM & NOTES	<b>B</b>	<b>B</b>
CUST NO		-	DWG. NO.	WT(LB):
DO NOT SCALE DRAWING		SCALE: 1:3	1883_REF	32.70
			SHT 1 OF 1	

**LDI Industries**  
 MANITOWOC, WI HUNTLEY, IL  
 MATERIAL STEEL  
 FINISH SEE BOM & NOTES  
 CUST NO -