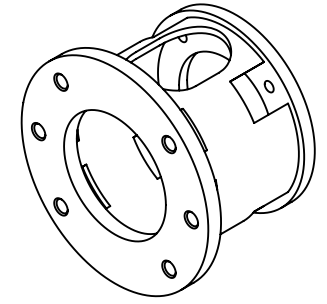
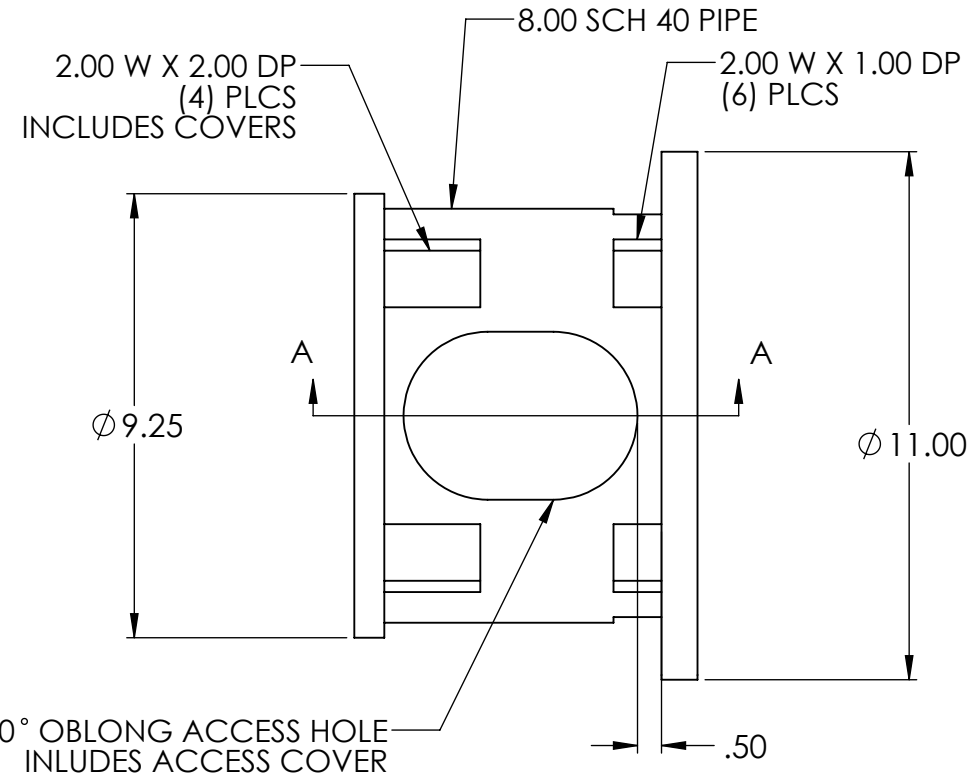


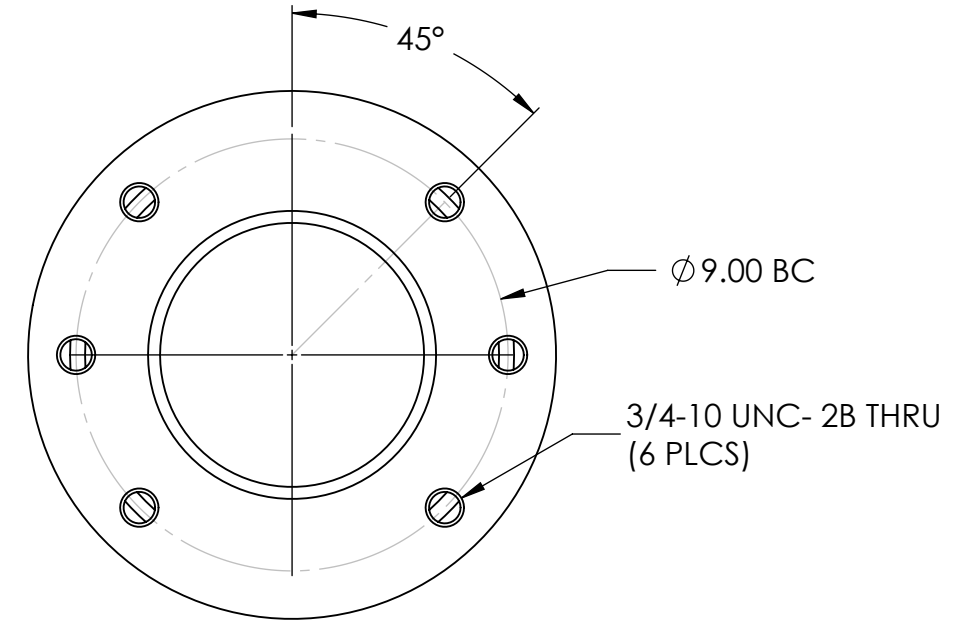
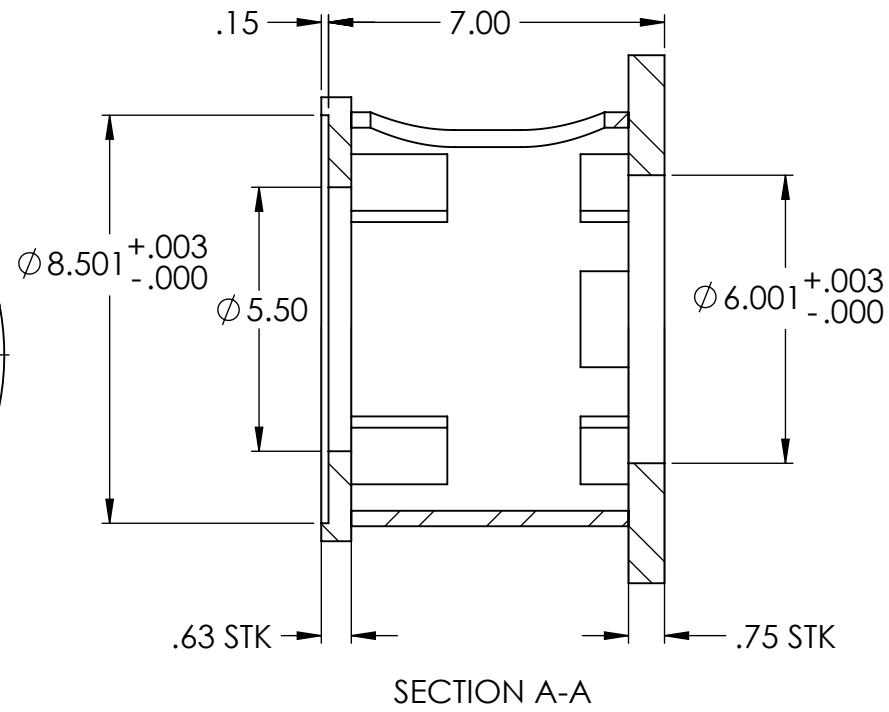
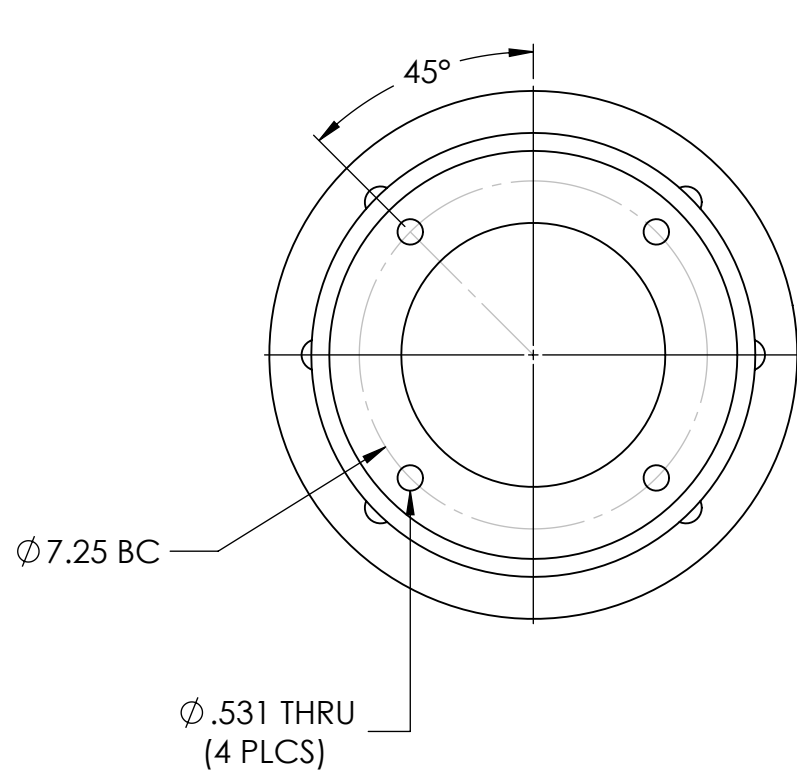
SCALE 1 : 8



SCALE 1 : 8

- NOTES:
1. HORIZONTAL ADAPTER 182TC-256TC/ SAE D 2&4-BOLT
 2. ASTM A36 STEEL
 3. FINISH: PRIMED GRAY

3.50W X 4.88L @ 0° OBLONG ACCESS HOLE INCLUDES ACCESS COVER



ALL DIMENSIONS FOR REFERENCE ONLY

| | | |
|---|----------------------|-------------------------------------|
| NAME | DATE | TITLE: |
| DRAWN BY: TLS | 06/12/2015 | PMA182/256_7.00FF_STL_2/4D6.00 |
| CHECKED BY: TLS | 06/12/2015 | |
| REVISED BY: - | - | |
| THIS DOCUMENT CONTAINS INFORMATION PROPRIETARY TO LDI INDUSTRIES, INC. AND IS FURNISHED UPON THE EXPRESS CONDITION THAT THE INFORMATION CONTAINED HEREIN WILL NOT BE DISCLOSED TO ANY THIRD PARTY OR USED DIRECTLY OR INDIRECTLY IN ANY WAY DETRIMENTAL TO THE INTEREST OF LDI INDUSTRIES, INC. | | ECN NO: - |
| MANITOWOC, WI | HUNTLEY, IL | SIZE DWG. NO. REV |
| MATERIAL: - | FINISH: - | B 1886_REF - |
| CUST NO: - | DO NOT SCALE DRAWING | SCALE: 1:4 WT(LB): 29.75 SHT 1 OF 1 |

LDI Industries
 MANITOWOC, WI HUNTLEY, IL