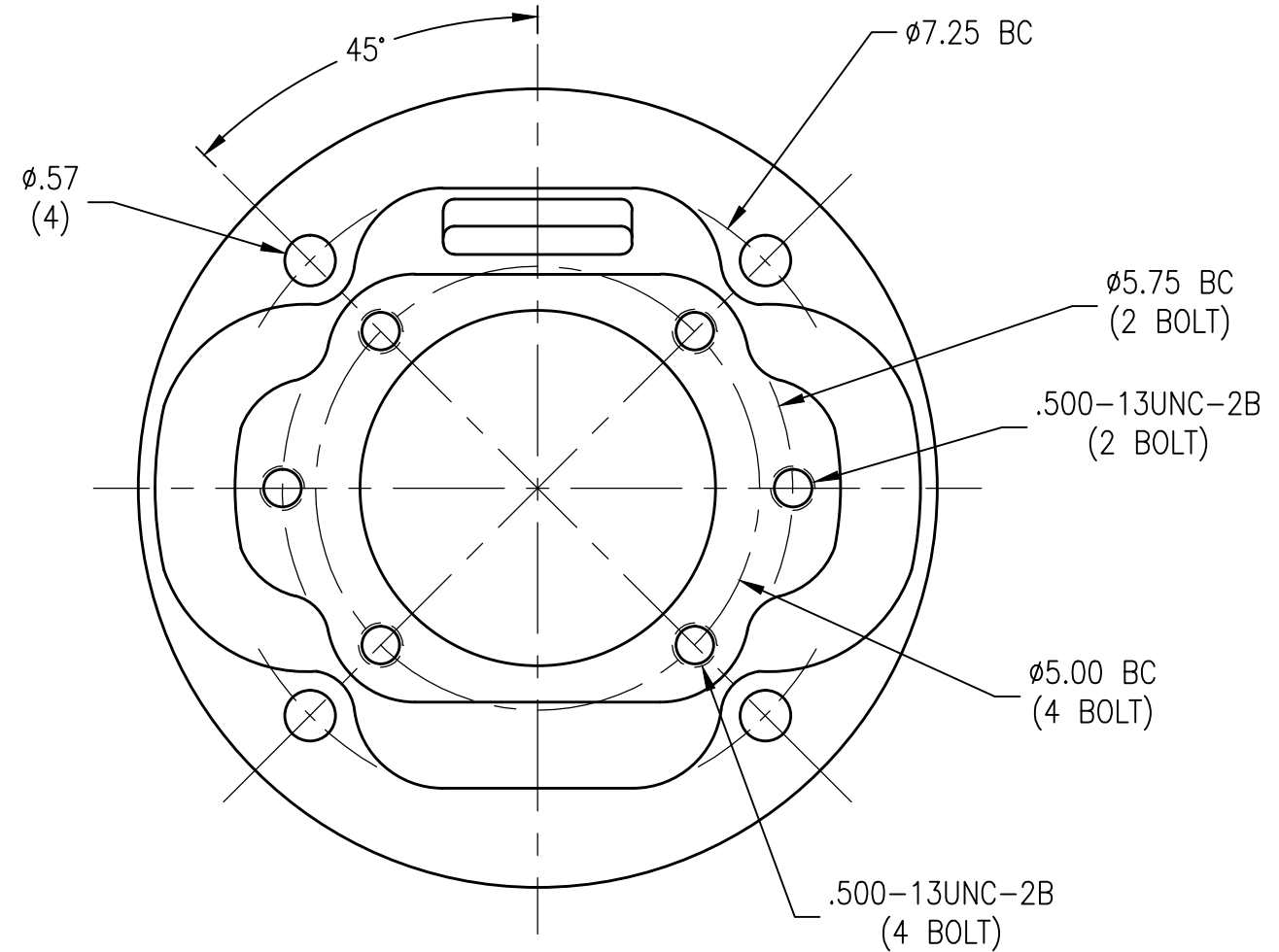
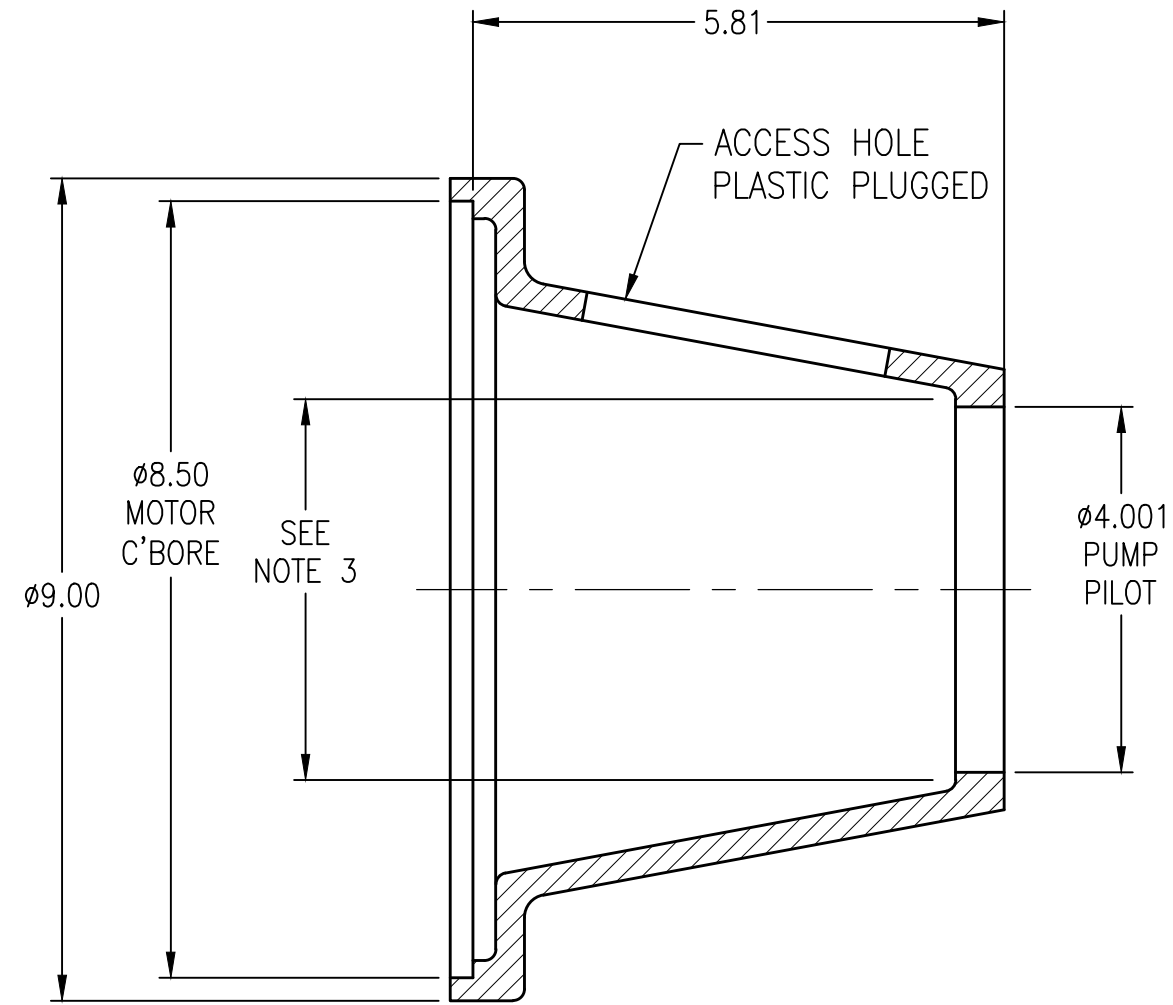


NOTES:

1. INCLUDES (4) .500-13UNC X 1.25" LONG SOCKET HEAD CAP SCREWS
2. VERTICAL MOUNTING ONLY, FOR HORIZONTAL MOUNTING USE P/N 268299 ADAPTER RING
3. 5.50" PERMISSIBLE INSIDE RADIAL CLEARANCE  
0.75" PUMP END FLANGE THICKNESS



THIS DOCUMENT CONTAINS INFORMATION PROPRIETARY TO LDI Industries, Inc. AND IS FURNISHED UPON THE EXPRESS CONDITION THAT THE INFORMATION CONTAINED HEREIN WILL NOT BE DISCLOSED TO ANY THIRD PARTY OR USED DIRECTLY OR INDIRECTLY IN ANY WAY DETRIMENTAL TO THE INTEREST OF LDI Industries, Inc.



TITLE PMA\_182/256\_2/4-BOLT\_5.81FF  
182/256TC MOTOR/VPM 2/4 B

DWG NO./ITEM NO. 1952

MATERIAL	ALUMINUM_380	TOLERANCES UNLESS OTHERWISE SPECIFIED
FINISH	NONE	( ) REFERENCE DIMENSIONS
NOM WT (LBS.)	-	

REV	DATE	ECN NO.	BY	SCALE	NTS	DO NOT SCALE DRAWING
-	-	-	-			

DRWN	TLS	DATE	5/21/15	CHKD	TLS	DATE	5/21/15	SHT	1/1	REV	D
------	-----	------	---------	------	-----	------	---------	-----	-----	-----	---