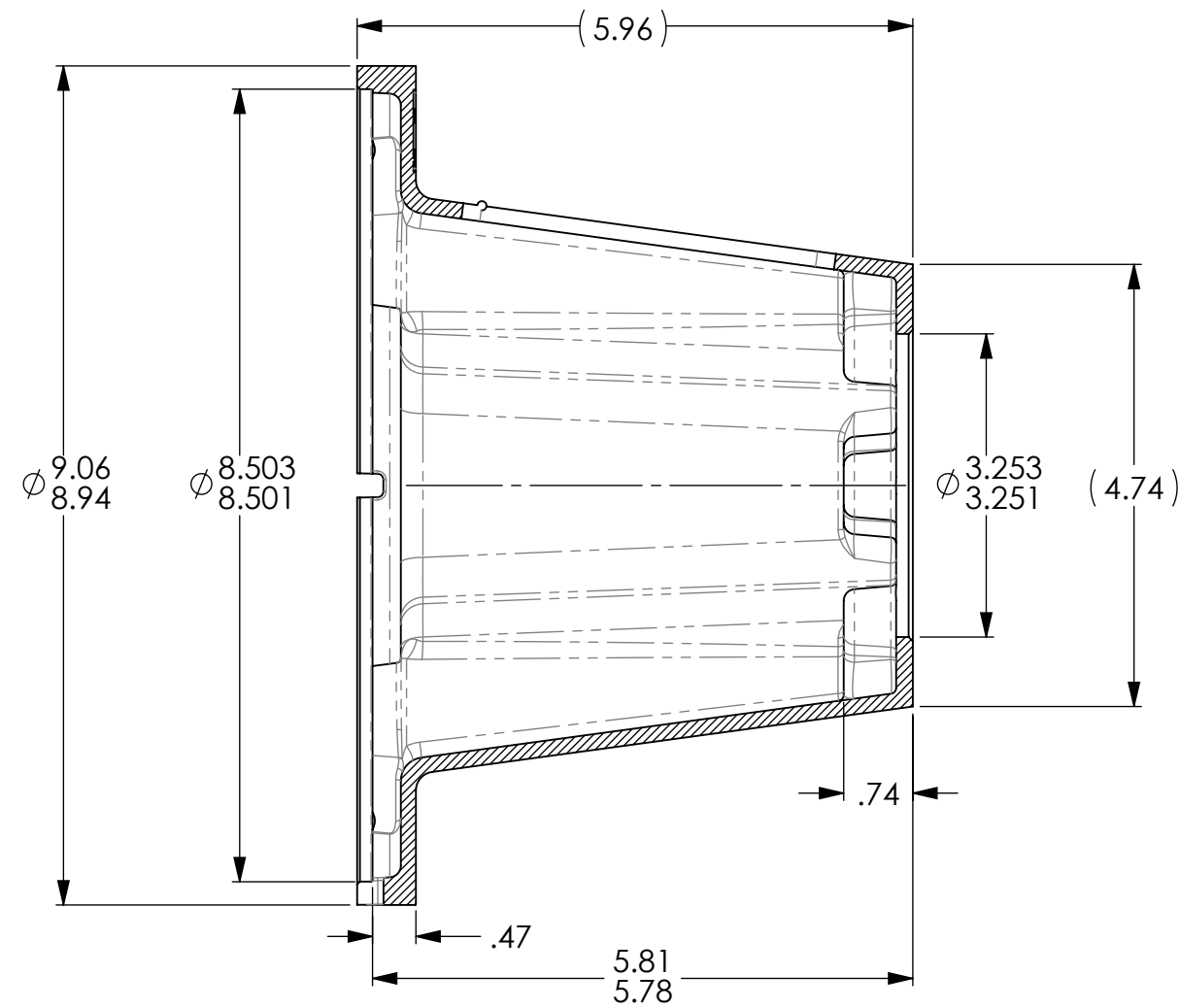
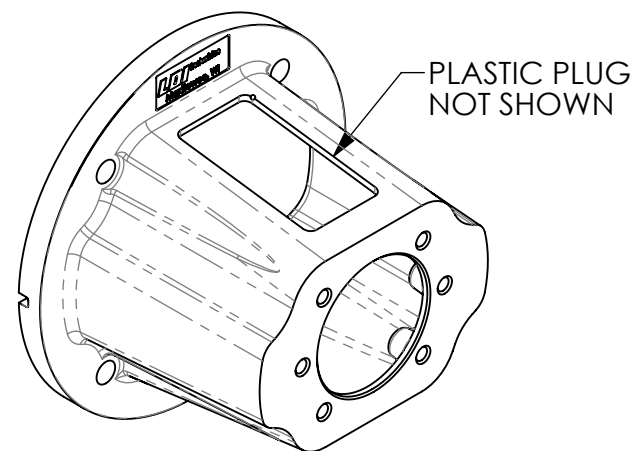
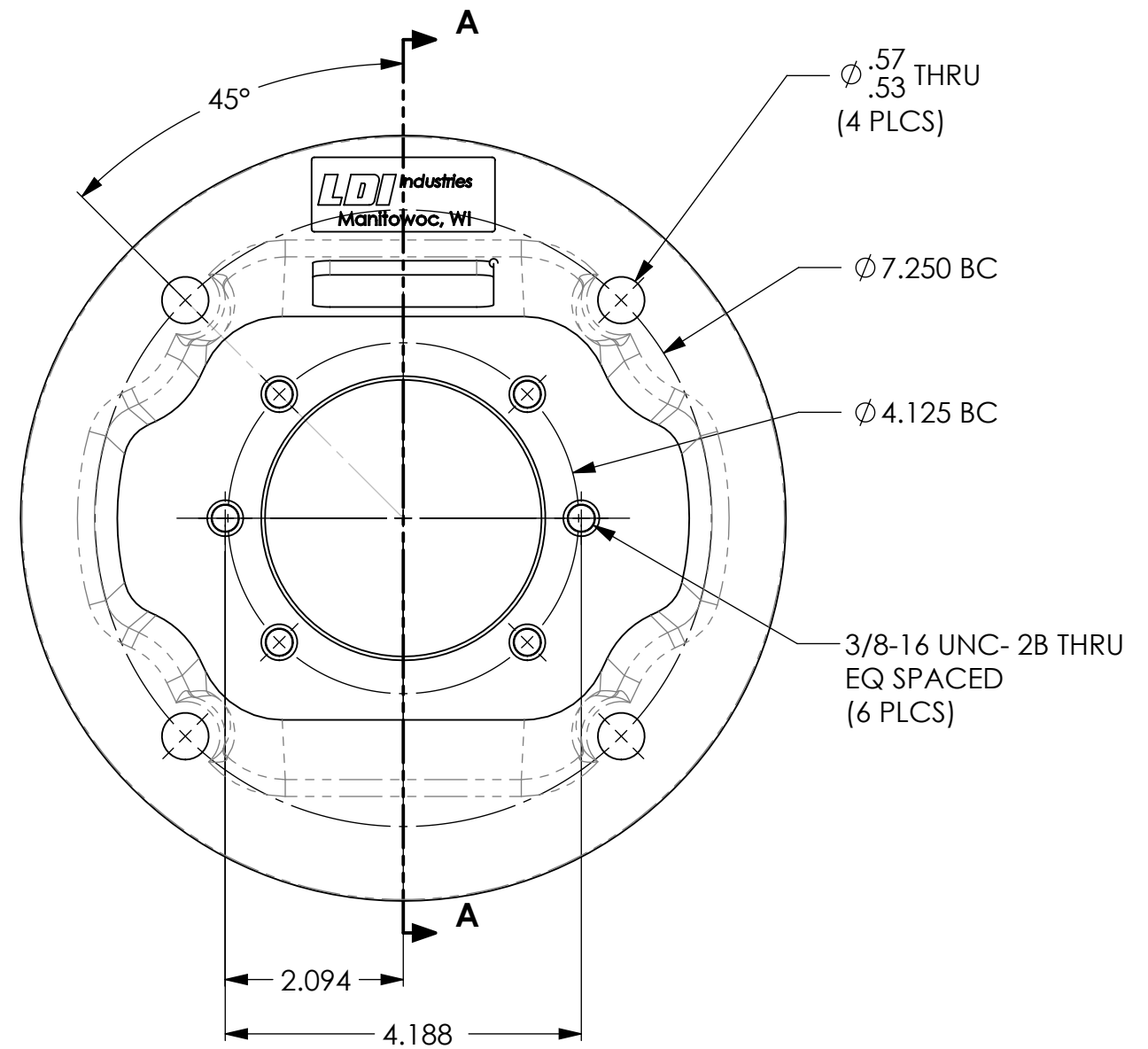


- NOTES:  
 1. HORIZONTAL MOUNTING ONLY  
 2. SHIPPED LOOSE ITEMS: (4) HHCS 1/2-13x1.25LG



SECTION A-A



SCALE 1 : 4

ALL DIMENSIONS FOR REFERENCE ONLY  
 UNLESS OTHERWISE SPECIFIED ALL DIMENSIONS ARE IN INCHES

DRAWN BY	NAME	DATE	TITLE:	
AJO	AJO	08/03/2022	PMA_182/256_5.81FF_AL_2A3.25	
CHECKED BY	-	-	-	
REVISED BY	-	-	-	
THIS DOCUMENT CONTAINS INFORMATION PROPRIETARY TO LDI INDUSTRIES, INC. AND IS FURNISHED UPON THE EXPRESS CONDITION THAT THE INFORMATION CONTAINED HEREIN WILL NOT BE DISCLOSED TO ANY THIRD PARTY OR USED DIRECTLY OR INDIRECTLY IN ANY WAY DETRIMENTAL TO THE INTEREST OF LDI INDUSTRIES, INC.			ECN NO	-
MANITOWOC, WI	HUNTLEY, IL		SIZE	DWG. NO.
MATERIAL	CAST_AL_380		<b>B</b>	1959_REF
FINISH	-			REV
CUST NO	-			<b>E</b>
DO NOT SCALE DRAWING		SCALE: 1:2	WT(LB): 3.59	SHT 1 OF 1

**LDI Industries**  
 MANITOWOC, WI HUNTLEY, IL  
 MATERIAL CAST\_AL\_380  
 FINISH -  
 CUST NO -