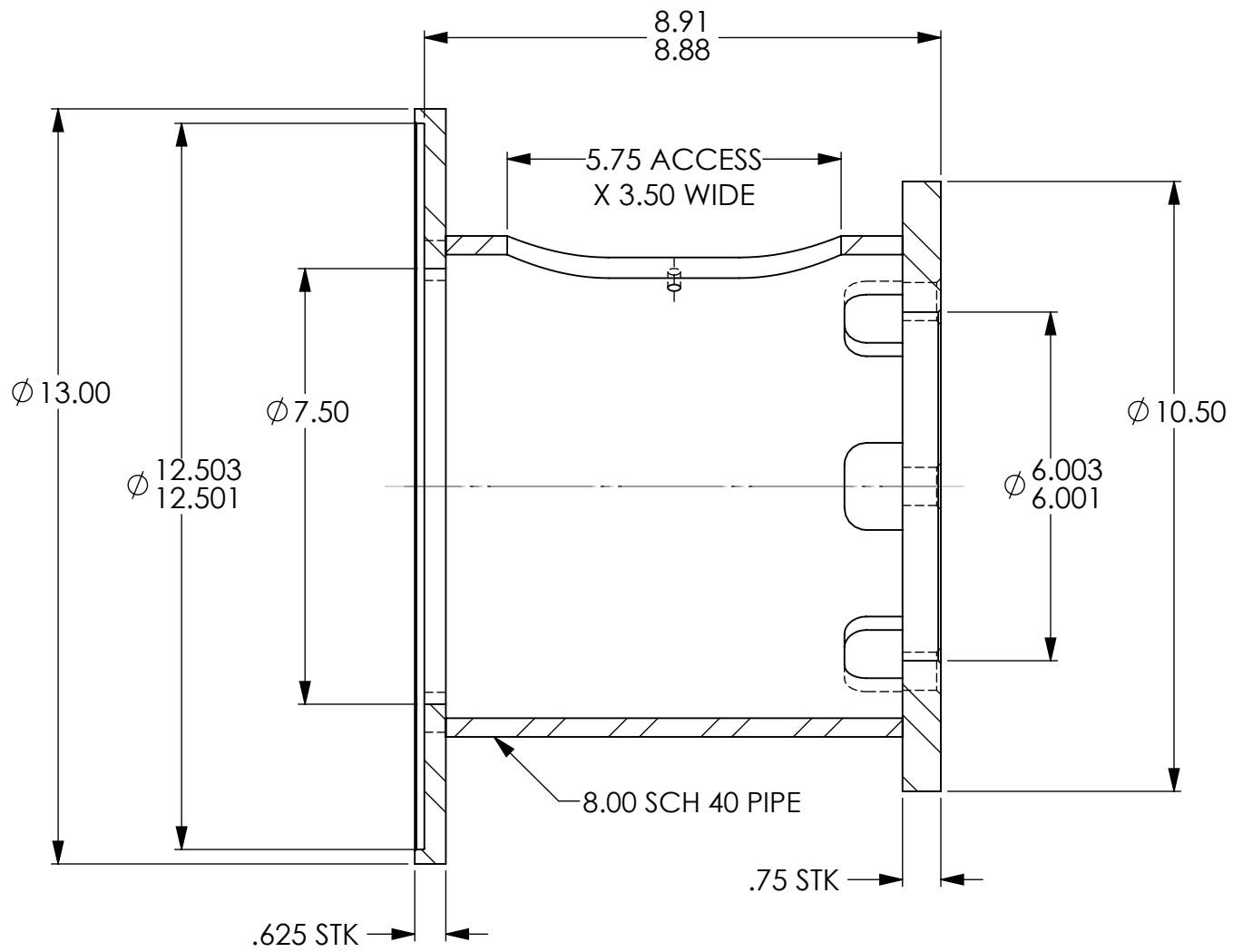


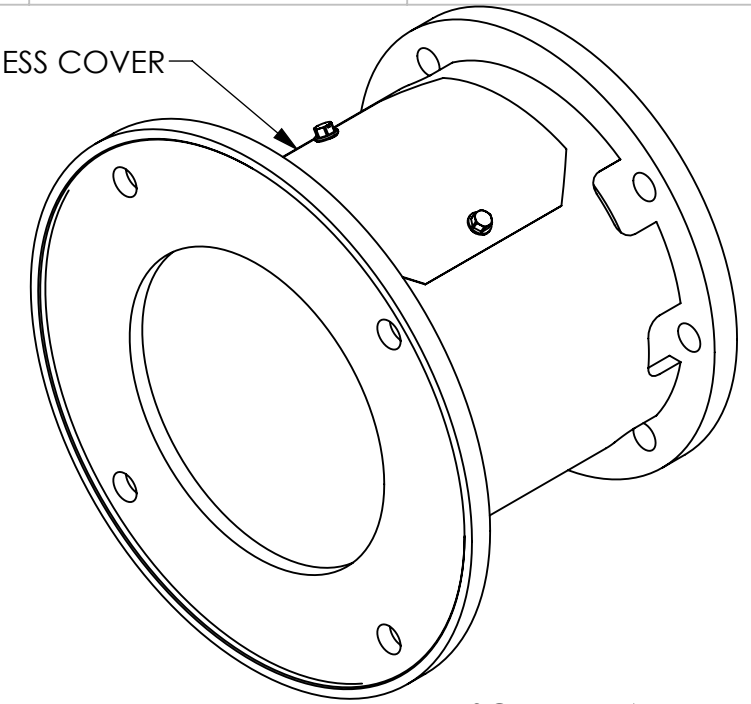
NOTES:

1. EXTERIOR SURFACES PRIME PAINTED GRAY
2. SHIPPED LOOSE: MOTOR MTG BOLTS 5/8-11UNC X 1.50LG

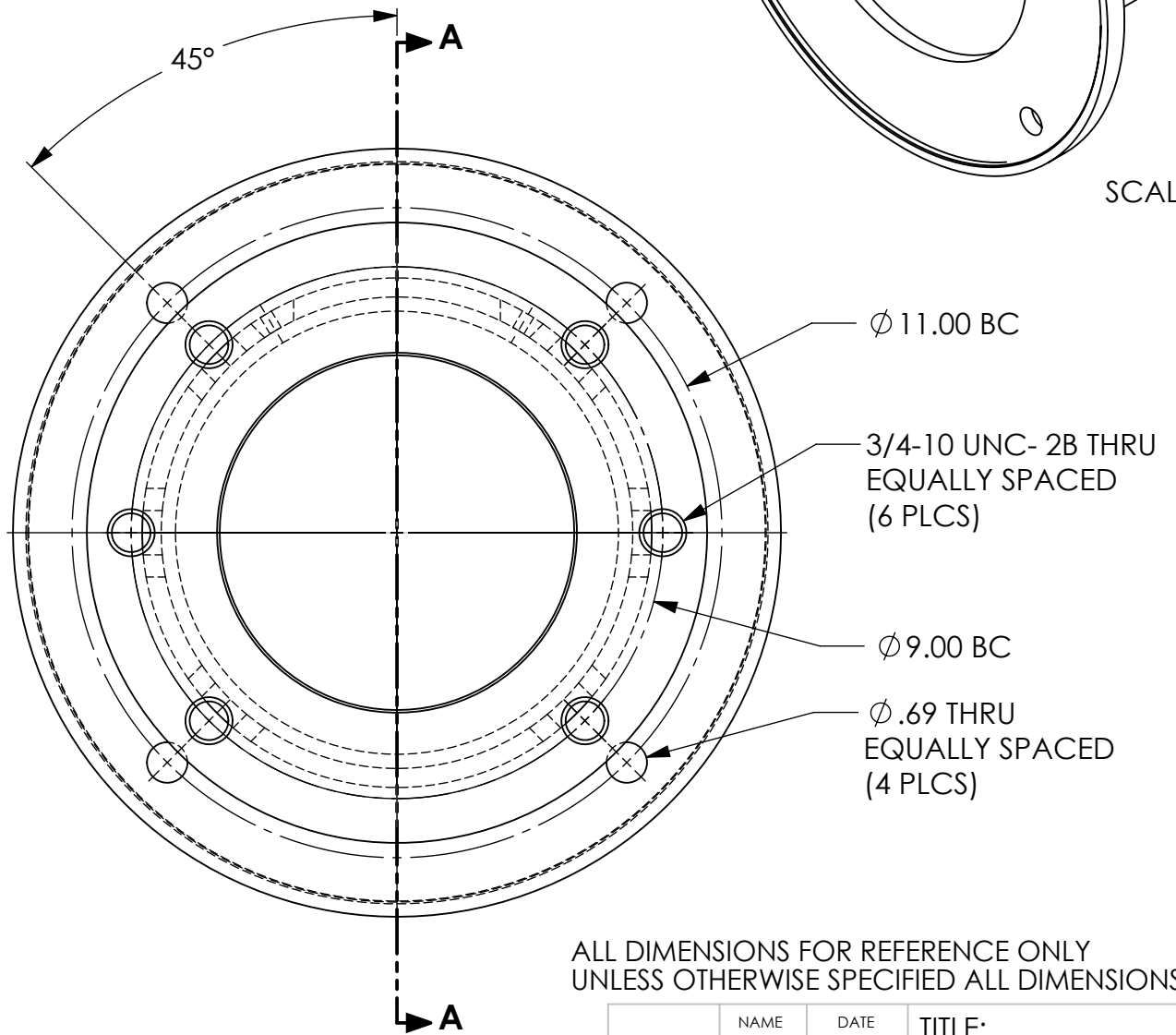


SECTION A-A

ACCESS COVER



SCALE 1 : 4



ALL DIMENSIONS FOR REFERENCE ONLY
UNLESS OTHERWISE SPECIFIED ALL DIMENSIONS ARE IN INCHES

DRAWN BY	NAME	DATE	TITLE:	
AJO	AJO	01/10/2023	PMA_324/405_8.88FF_STL_2/4D6.0	
CHECKED BY	-	-	-	
REVISED BY	-	-	-	
<p>THIS DOCUMENT CONTAINS INFORMATION PROPRIETARY TO LDI INDUSTRIES, INC. AND IS FURNISHED UPON THE EXPRESS CONDITION THAT THE INFORMATION CONTAINED HEREIN WILL NOT BE DISCLOSED TO ANY THIRD PARTY OR USED DIRECTLY OR INDIRECTLY IN ANY WAY DETRIMENTAL TO THE INTEREST OF LDI INDUSTRIES, INC.</p>			ECN NO	-
MANITOWOC, WI	HUNTLEY, IL		SIZE	DWG. NO.
MATERIAL	STEEL		B	3372_REF
FINISH	SEE BOM & NOTES			REV
CUST NO	-			A
DO NOT SCALE DRAWING		SCALE: 1:3	WT(LB): 32.70	SHT 1 OF 1



MANITOWOC, WI	HUNTLEY, IL
MATERIAL	STEEL
FINISH	SEE BOM & NOTES
CUST NO	-