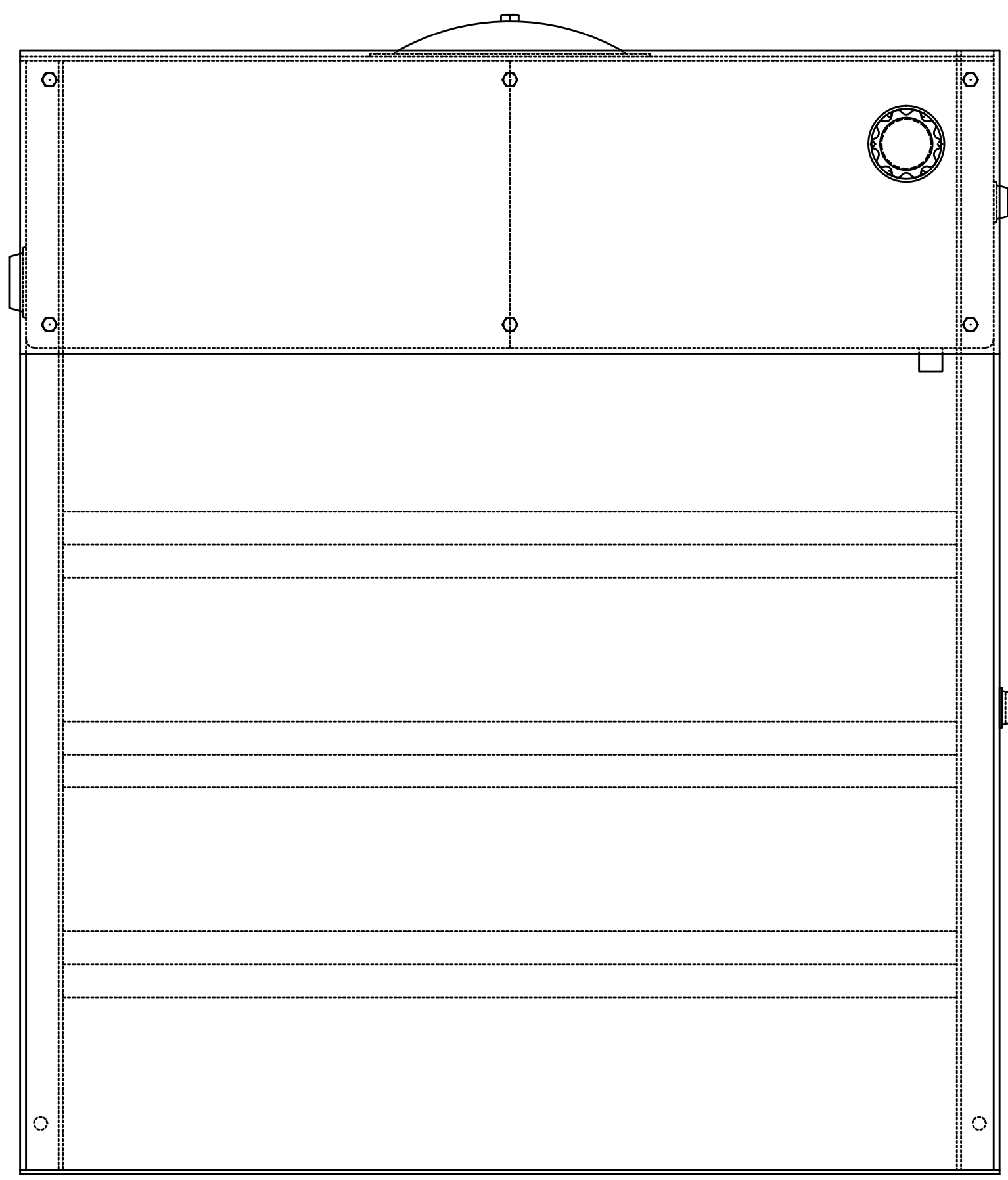
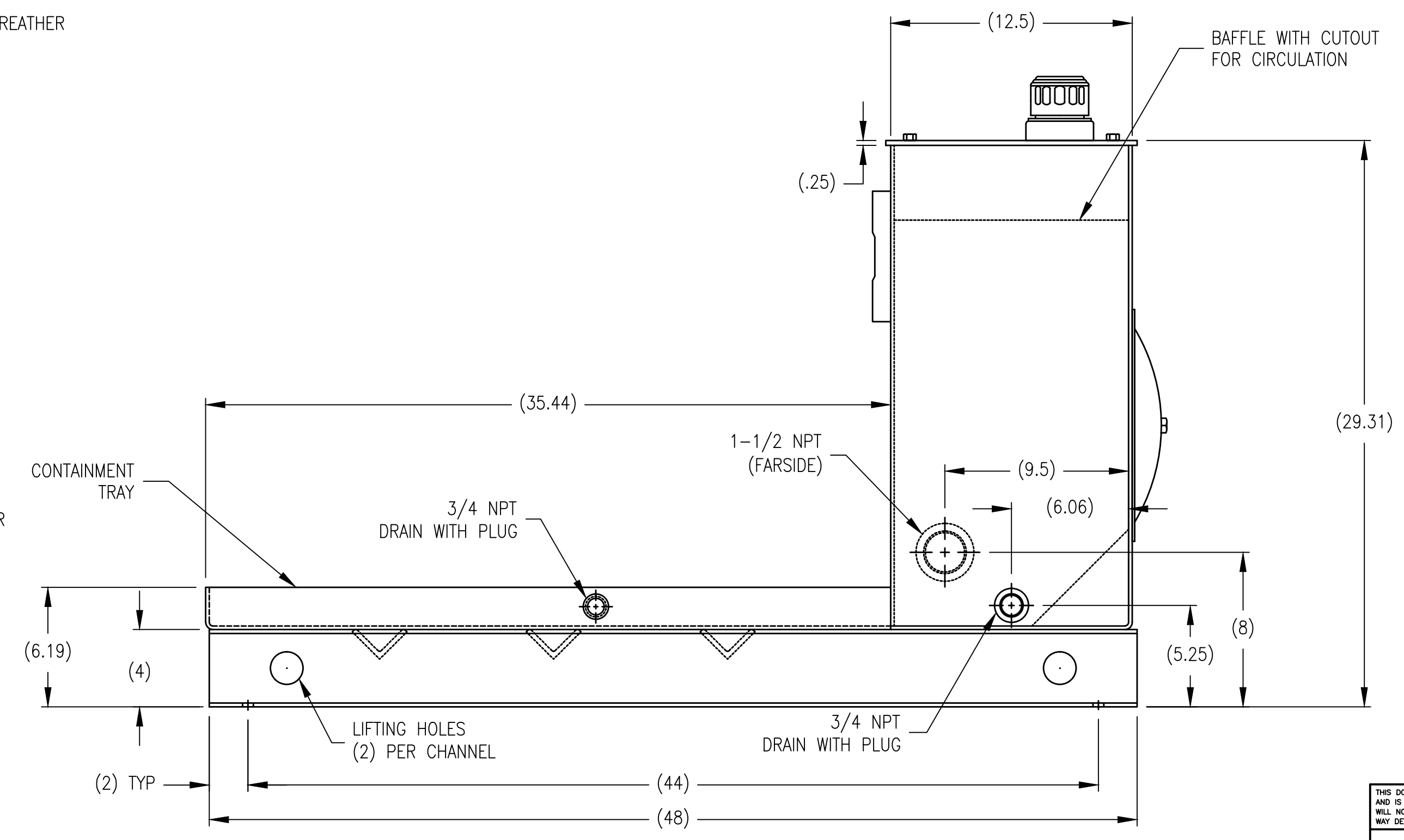
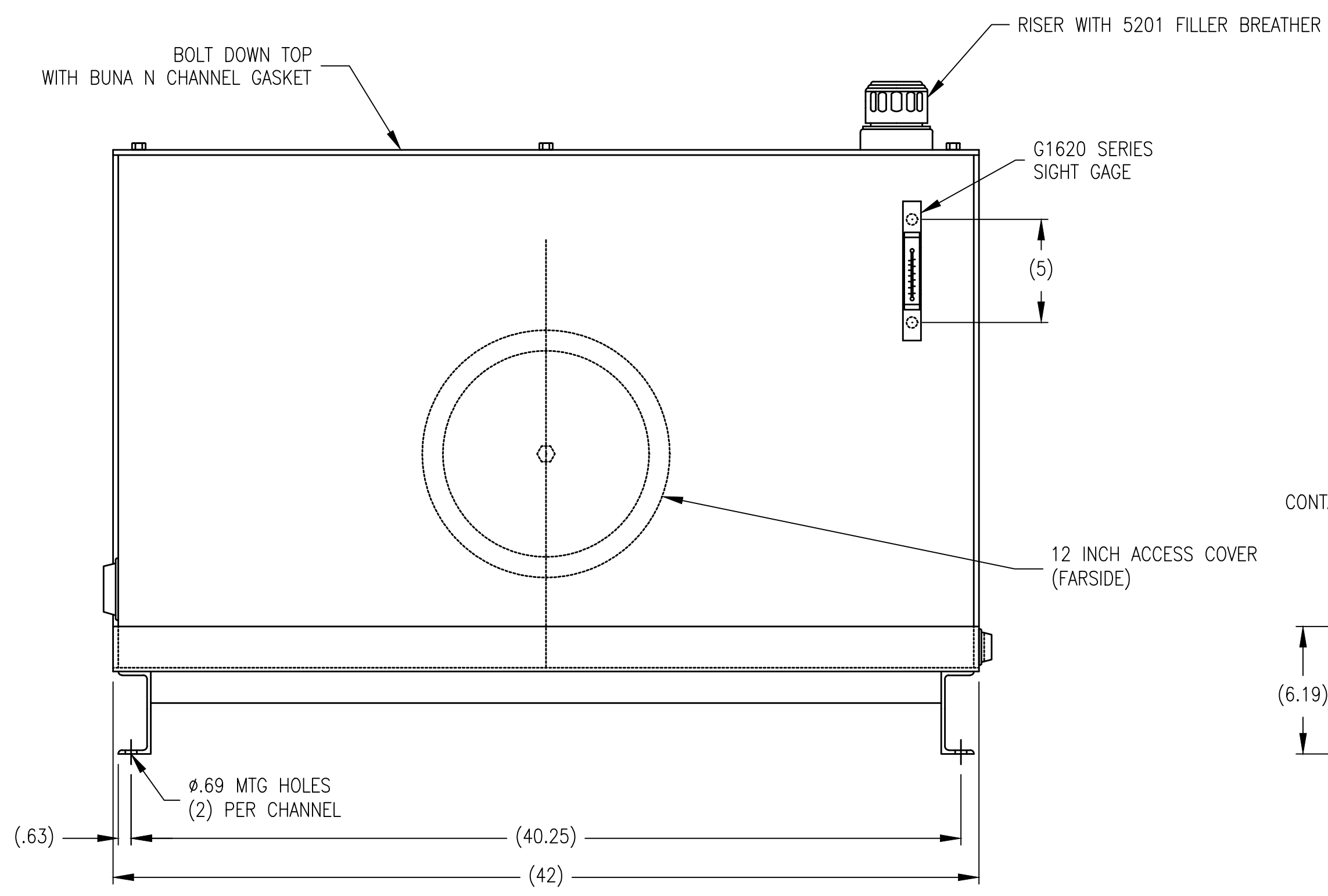


8 7 6 5 4 3 2 1

D
C
B
A



- NOTES:
1. THIS RESERVOIR IS DESIGNED FOR STATIONARY INSTALLATIONS, ANY MOBILE INSTALLATIONS ARE SUBJECT TO FACTORY REVIEW.
 2. THIS RESERVOIR IS THOROUGHLY CLEANED, A RUST INHIBITOR APPLIED TO THE INTERIOR, AND PRIME PAINTED GRAY PRIOR TO SHIPMENT. ANY SUBSEQUENT CUTTING OR WELDING ON THE UNIT COULD CAUSE CONTAMINATION AND MAY VOID THE WARRANTY.
 3. OPERATING TEMPERATURE IS 180° F MAXIMUM. FOR HIGHER TEMPERATURES CONSULT FACTORY.
 4. ALL PORTS ARE PLASTIC PLUGGED AND PROTECTED FOR SHIPPING. LEAVE THESE IN PLACE UNTIL THE UNIT IS FINAL PAINTED OR FINISH ASSEMBLED. IF PAINTED AFTER ASSEMBLY, PLUG AND PROTECT ALL OPENINGS INTO THE RESERVOIR.
 5. SHIPPED LOOSE: SIGHT GAGE (ALUMINUM WITH BUNA N SEALS)
FILLER BREATHER (STEEL WITH ZINC TRIVALENT CHROME FINISH & NYLON STRAINER BASKET)
 6. RECOMMENDED ASSEMBLY TORQUE: ACCESS COVER (15 FT LB)
SIGHT GAGE (60 IN LB)



8 7 6 5 4 3 2 1

| | | | | | | | | |
|----------------------|------|---------|----|------------------|------------|----------------------------|---------|---|
| MATERIAL | | | | STEEL | TOLERANCES | UNLESS OTHERWISE SPECIFIED | TITLE | RES_STYLE_D_45GAL_STL_PRIME LDI STANDARD PRODUCT |
| FINISH | | | | SEE NOTES | () | REFERENCE DIMENSIONS | | |
| NOM WT (LBS.) | | | | 411 | SCALE | | 3/16 | V45VLD BX12SC |
| REV | DATE | ECN NO. | BY | DWG NO./ITEM NO. | | DATE | CHKD | DATE |
| - | - | - | - | DWG NO./ITEM NO. | | 03/15/17 | - | 03/15/17 |
| DO NOT SCALE DRAWING | | | | SCALE | | 3/16 | SHT 1/1 | |

THIS DOCUMENT CONTAINS INFORMATION PROPRIETARY TO LDI Industries, Inc. AND IS FURNISHED UPON THE EXPRESS CONDITION THAT THE INFORMATION CONTAINED HEREIN WILL NOT BE DISCLOSED TO ANY THIRD PARTY OR USED DIRECTLY OR INDIRECTLY IN ANY WAY DETRIMENTAL TO THE INTEREST OF LDI Industries, Inc.

LDI Industries, Inc.
MANTON, WI

LDI INDUSTRIES, INC.
MANTON, WI