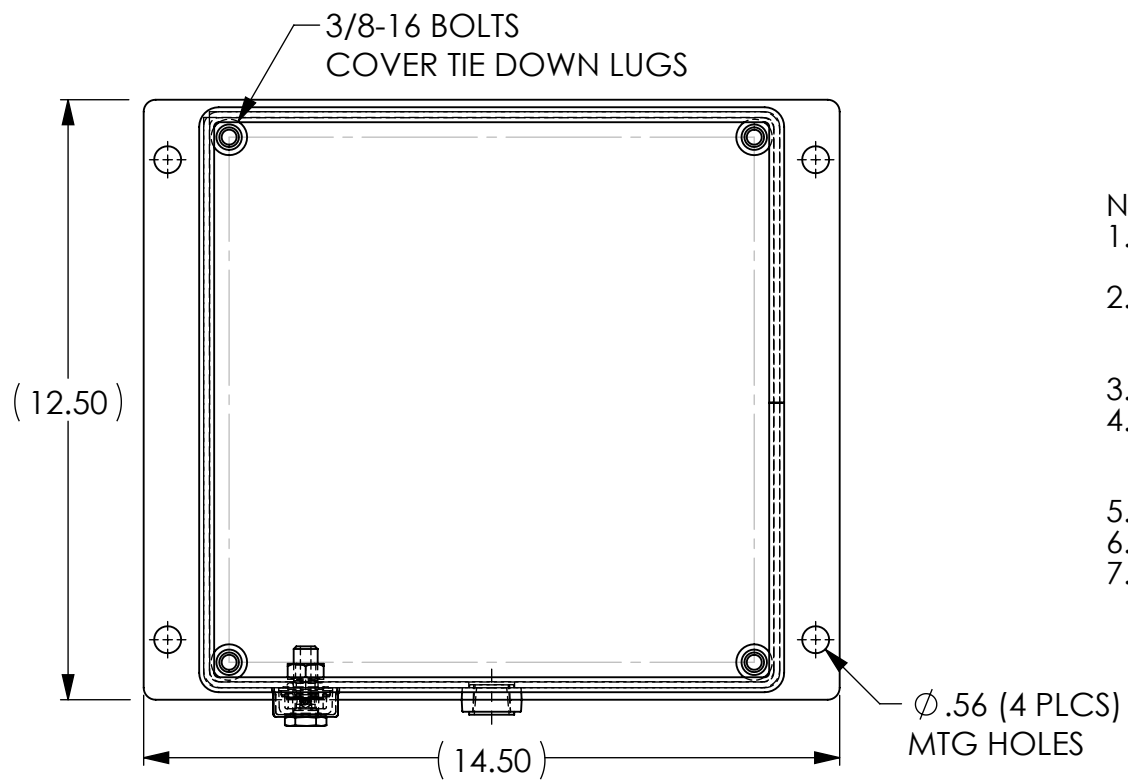
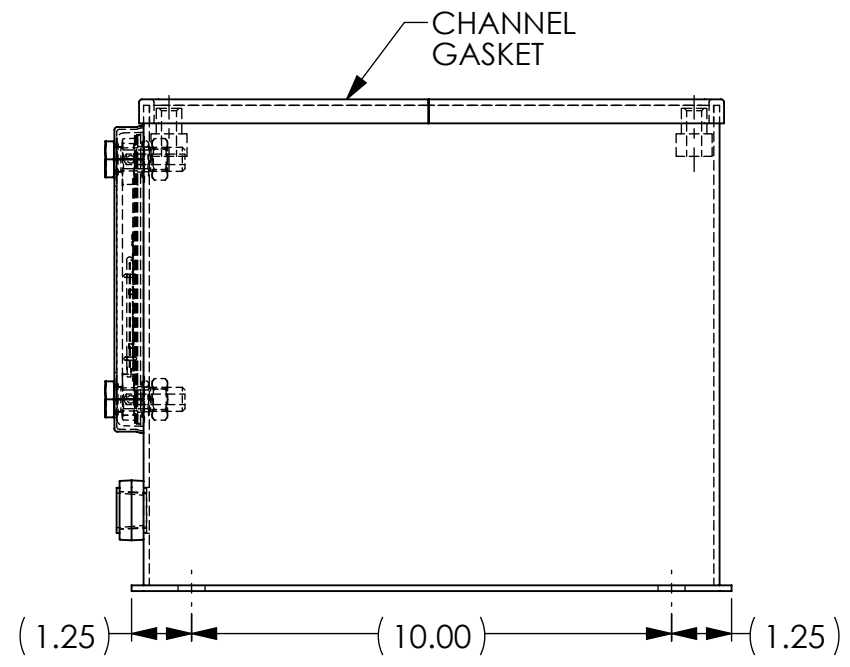
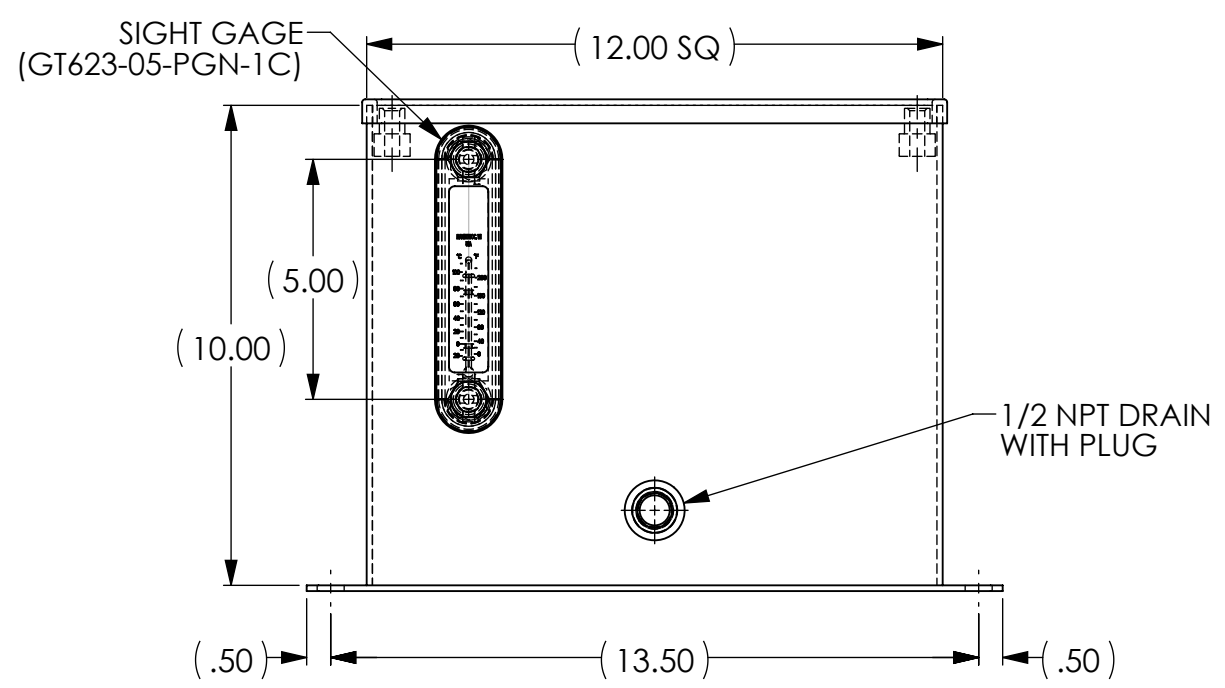


8 7 6 5 4 3 2 1



- NOTES:
1. THIS RESERVOIR IS DESIGNED FOR STATIONARY INSTALLATIONS, MOBILE INSTALLATIONS ARE SUBJECT TO FACTORY REVIEW.
  2. THIS RESERVOIR IS THOROUGHLY CLEANED, A PRESERVATIVE APPLIED, AND PRIME PAINTED GRAY PRIOR TO SHIPMENT. ANY SUBSEQUENT CUTTING OR WELDING ON THE UNIT COULD CAUSE CONTAMINATION AND MAY VOID THE WARRANTY.
  3. OPERATING TEMPERATURE IS 180° F MAXIMUM. FOR HIGHER TEMPERATURES CONSULT FACTORY.
  4. ALL PORTS ARE PLASTIC PLUGGED AND PROTECTED FOR SHIPPING. LEAVE THESE IN PLACE UNTIL THE UNIT IS FINAL PAINTED OR FINISH ASSEMBLED. IF PAINTED AFTER ASSEMBLY, PLUG AND PROTECT ALL OPENINGS INTO THE RESERVOIR.
  5. SHIPPED LOOSE ITEMS: (5145G) GASKET; (GT623-05-PGN-1C) SIGHT GAGE; (836025) BOLTS; (PFH60-8) PLUG
  6. RECOMMENDED ASSEMBLY TORQUE: ENDCOVER (15 FT LB), SIGHT GAGE (80 IN LB)
  7. COVER PLATE (SERIES 1, 2, 2A, OR 3) ORDER AS SEPARATE ITEM



ALL DIMENSIONS FOR REFERENCE ONLY  
UNLESS OTHERWISE SPECIFIED ALL DIMENSIONS ARE IN INCHES

	NAME	DATE
DRAWN BY	MAT	06/17/2019
CHECKED BY	BMK	06/18/2019
REVISED BY	MAT	06/20/2019

TITLE:  
RES\_VERT\_5GAL\_STL\_PRM

**LDI Industries**  
MANITOWOC, WI HUNTLEY, IL

MATERIAL STEEL  
FINISH SEE NOTES & BOM  
CUST NO -

THIS DOCUMENT CONTAINS  
INFORMATION PROPRIETARY TO LDI  
INDUSTRIES, INC. AND IS FURNISHED  
UPON THE EXPRESS CONDITION THAT THE  
INFORMATION CONTAINED HEREIN WILL  
NOT BE DISCLOSED TO ANY THIRD PARTY  
OR USED DIRECTLY OR INDIRECTLY IN ANY  
WAY DETRIMENTAL TO THE INTEREST OF  
LDI INDUSTRIES, INC.

ECN NO	SIZE	DWG. NO.	REV
	B	V215145_REF	E

DO NOT SCALE DRAWING SCALE: 1:4 WT(LB): 23.79 SHT 1 OF 1

8 7 6 5 4 3 2 1