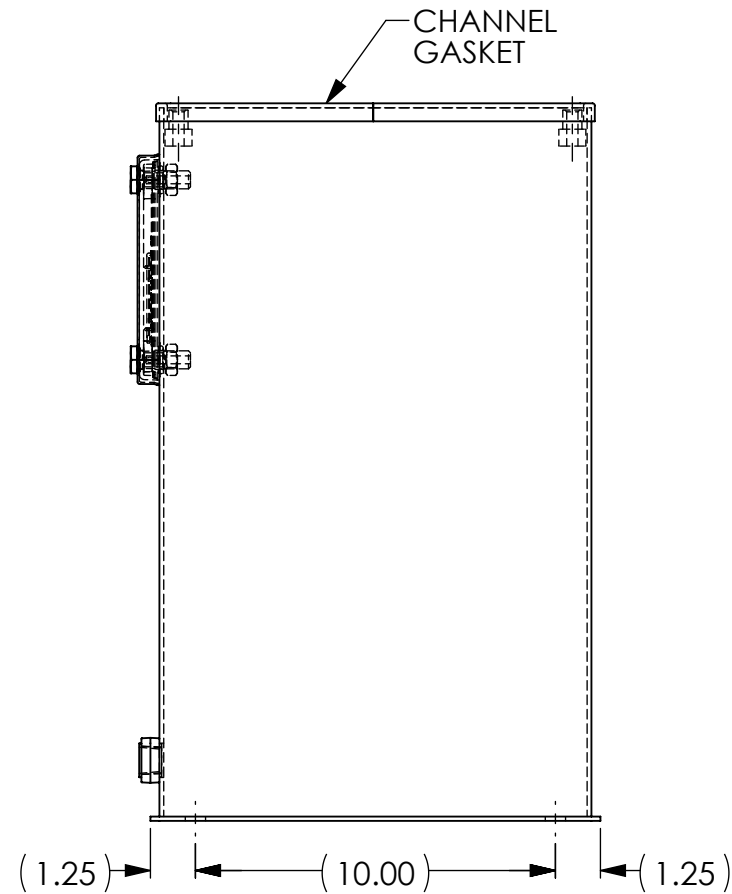
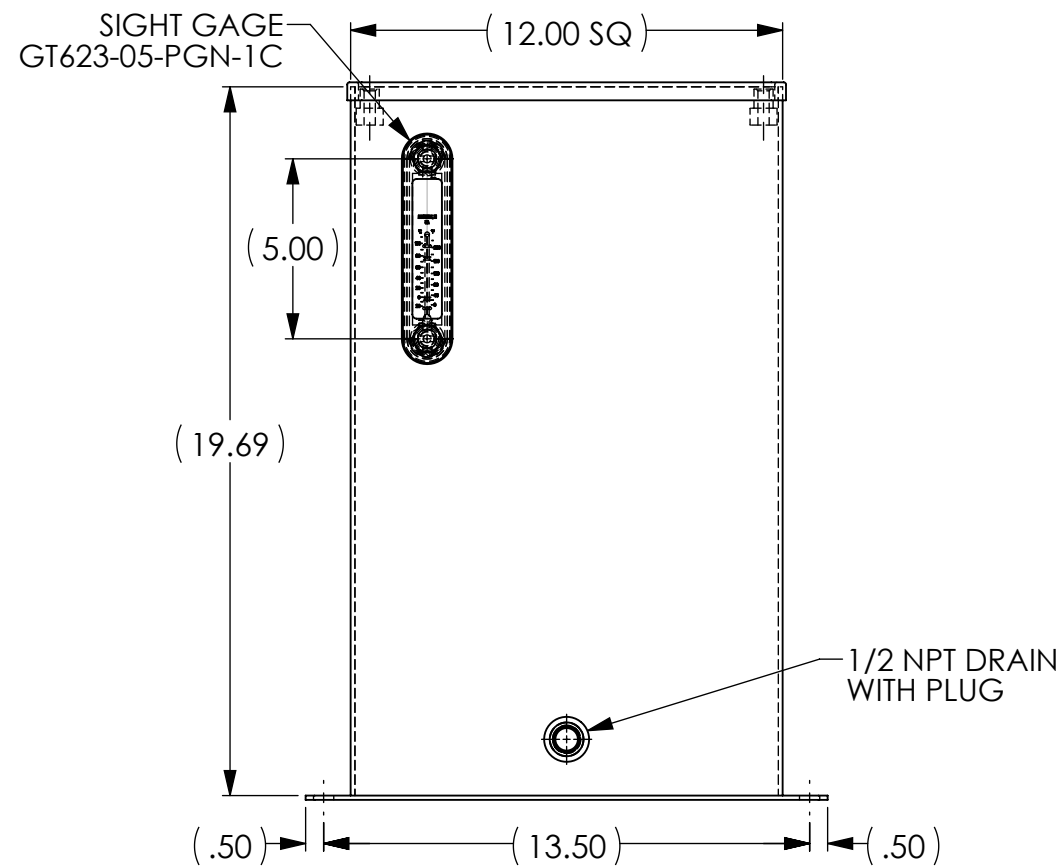


NOTES:

1. THIS RESERVOIR IS DESIGNED FOR STATIONARY INSTALLATIONS, MOBILE INSTALLATIONS ARE SUBJECT TO FACTORY REVIEW.
2. THIS RESERVOIR IS THOROUGHLY CLEANED, A PRESERVATIVE APPLIED, AND PRIME PAINTED GRAY PRIOR TO SHIPMENT. ANY SUBSEQUENT CUTTING OR WELDING ON THE UNIT COULD CAUSE CONTAMINATION AND MAY VOID THE WARRANTY.
3. OPERATING TEMPERATURE IS 180° F MAXIMUM. FOR HIGHER TEMPERATURES CONSULT FACTORY.
4. ALL PORTS ARE PLASTIC PLUGGED AND PROTECTED FOR SHIPPING. LEAVE THESE IN PLACE UNTIL THE UNIT IS FINAL PAINTED OR FINISH ASSEMBLED. IF PAINTED AFTER ASSEMBLY, PLUG AND PROTECT ALL OPENINGS INTO THE RESERVOIR.
5. SHIPPED LOOSE ITEMS: (5145G) GASKET; (GT623-05-PGN-1C) SIGHT GAGE; (836025) BOLTS; (PFH60-8) PLUG
6. RECOMMENDED ASSEMBLY TORQUE: ENDCOVER (15 FT LB), SIGHT GAGE (80 IN LB)
7. COVER PLATE (SERIES 1, 2, 2A, OR 3) ORDER AS SEPARATE ITEM



ALL DIMENSIONS FOR REFERENCE ONLY
UNLESS OTHERWISE SPECIFIED ALL DIMENSIONS ARE IN INCHES

LDI Industries
MANITOWOC, WI HUNTLEY, IL

MATERIAL STEEL
FINISH SEE NOTES & BOM
CUST NO -

| | | | |
|---|-------------|------------------------|---------------|
| NAME | DATE | TITLE: | |
| DRAWN BY MAT | 06/17/2019 | RES_VERT_10GAL_STL_PRM | |
| CHECKED BY BMK | 06/18/2019 | | |
| REVISED BY | | | |
| THIS DOCUMENT CONTAINS INFORMATION PROPRIETARY TO LDI INDUSTRIES, INC. AND IS FURNISHED UPON THE EXPRESS CONDITION THAT THE INFORMATION CONTAINED HEREIN WILL NOT BE DISCLOSED TO ANY THIRD PARTY OR USED DIRECTLY OR INDIRECTLY IN ANY WAY DETRIMENTAL TO THE INTEREST OF LDI INDUSTRIES, INC. | | ECN NO | |
| SIZE | DWG. NO. | REV | |
| B | V215146_REF | - | |
| DO NOT SCALE DRAWING | | SCALE: 3:16 | WT(LB): 38.65 |
| | | SHT 1 OF 1 | |