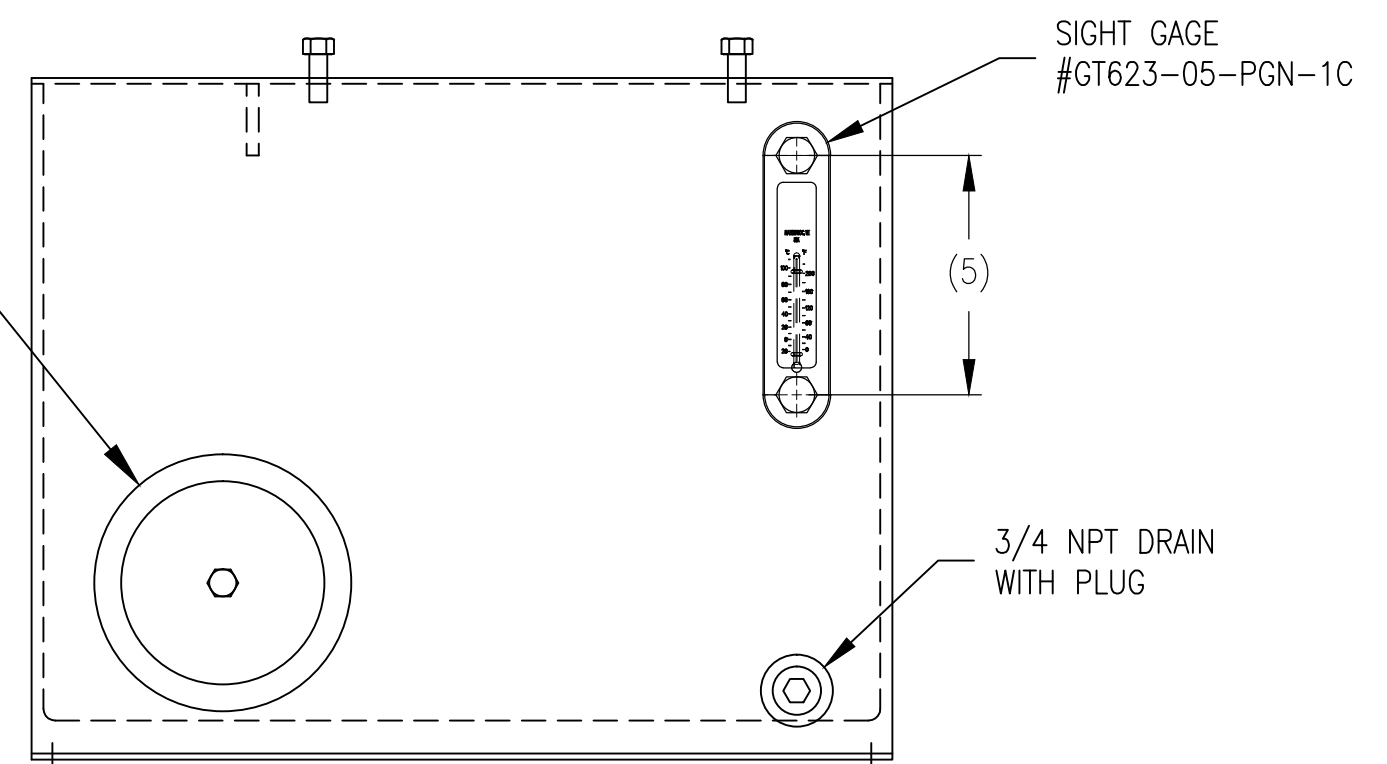


NOTES:

1. THIS RESERVOIR IS DESIGNED FOR STATIONARY INSTALLATIONS, ANY MOBILE INSTALLATIONS ARE SUBJECT TO FACTORY REVIEW.
2. THIS RESERVOIR IS THOROUGHLY CLEANED, A RUST INHIBITOR APPLIED TO THE INTERIOR, AND PRIME PAINTED LDI GRAY PRIOR TO SHIPMENT. ANY SUBSEQUENT CUTTING OR WELDING ON THE UNIT COULD CAUSE CONTAMINATION AND WILL VOID THE WARRANTY.
3. OPERATING TEMPERATURE IS 180° F MAXIMUM. FOR HIGHER TEMPERATURES CONSULT FACTORY.
4. ALL PORTS ARE PLASTIC PLUGGED AND PROTECTED FOR SHIPPING. LEAVE THESE IN PLACE UNTIL THE UNIT IS FINAL PAINTED OR FINISH ASSEMBLED. IF PAINTED AFTER ASSEMBLY, PLUG AND PROTECT ALL OPENINGS INTO THE RESERVOIR.
5. SHIPPED LOOSE:
  - (1) SIGHT GAUGE (MOLDED, TRANSPARENT NYLON W/BLACK POWDER COATED STEEL GUARD & BUNA-N SEALS)
  - (1) COVER GASKET (NEOPRENE)
  - (4) 3/8-16X1.00LG HHCS FOR COVER
6. RECOMMENDED ASSEMBLY TORQUE: ENDCOVER (15 FT LB), SIGHT GAGE (80 IN LB)
7. COVER PLATE (SERIES 4) ORDERED AS SEPARATE ITEM



THIS DOCUMENT CONTAINS INFORMATION PROPRIETARY TO LDI Industries, Inc. AND IS FURNISHED UPON THE EXPRESS CONDITION THAT THE INFORMATION CONTAINED HEREIN WILL NOT BE DISCLOSED TO ANY THIRD PARTY OR USED DIRECTLY OR INDIRECTLY IN ANY WAY DETRIMENTAL TO THE INTEREST OF LDI Industries, Inc.



TITLE RES\_VARI-PAK\_20GAL\_STL\_PRIME LDI STANDARD PRODUCT

DWG NO./ITEM NO. V29920

DRWN TJS DATE 5/16/14 CHKD - DATE - SHT - REV -

MATERIAL	STEEL	TOLERANCES	
FINISH	SEE NOTE	UNLESS OTHERWISE SPECIFIED	
NOM WT (LBS.)	94	( ) REFERENCE DIMENSIONS	
SCALE	1/4	DO NOT SCALE DRAWING	

REV	DATE	ECN NO.	BY
-	-	-	-