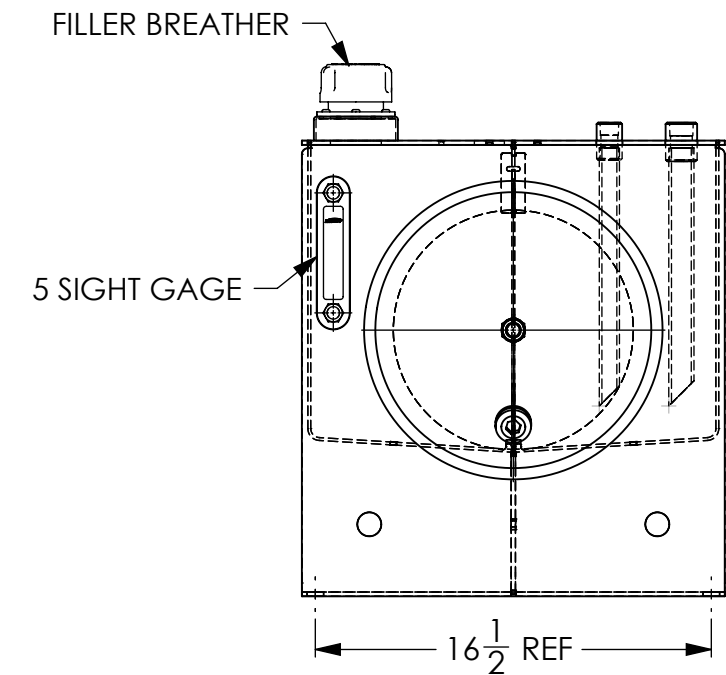
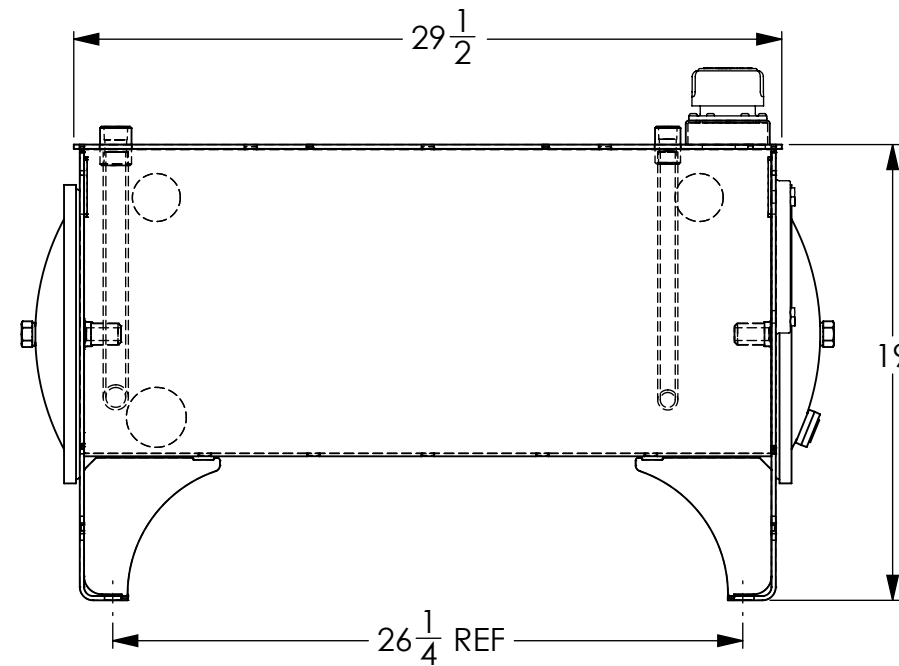
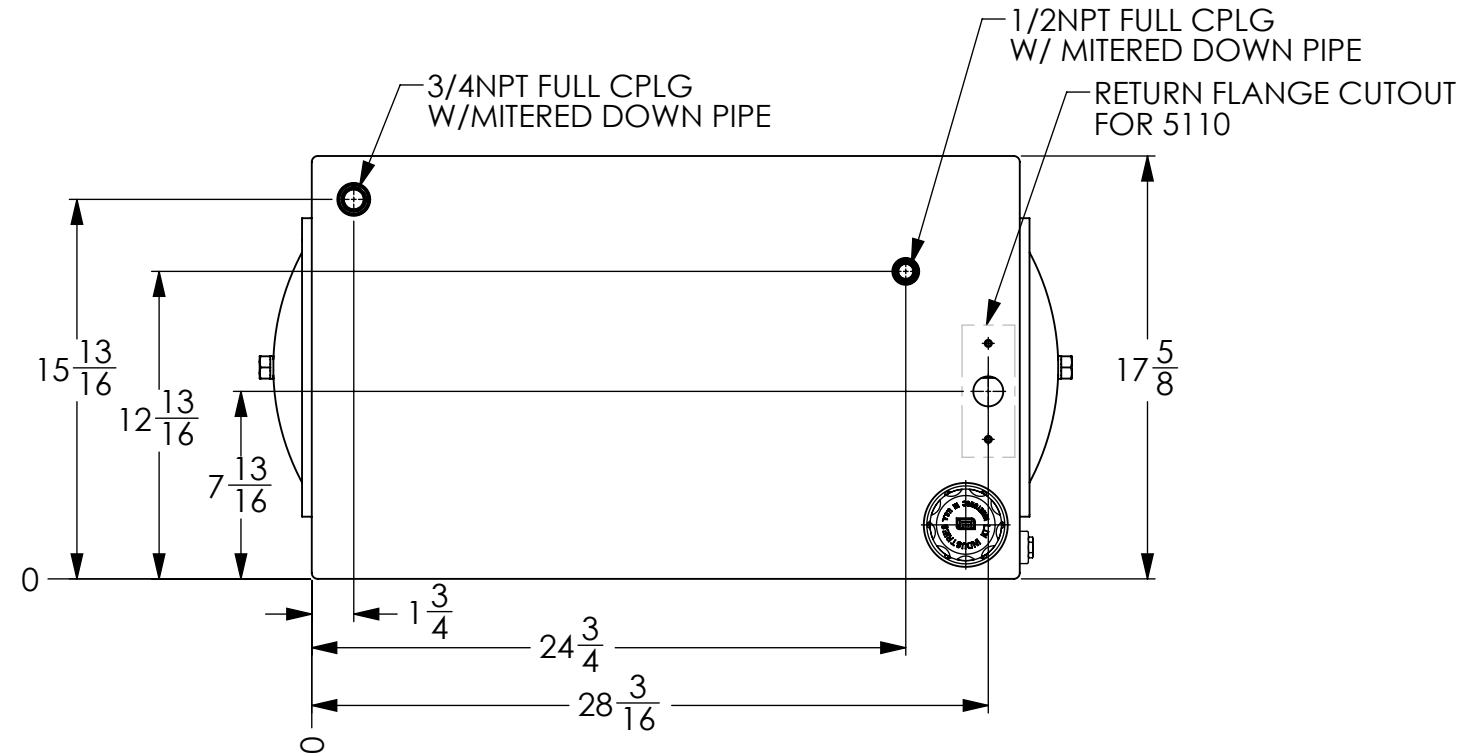
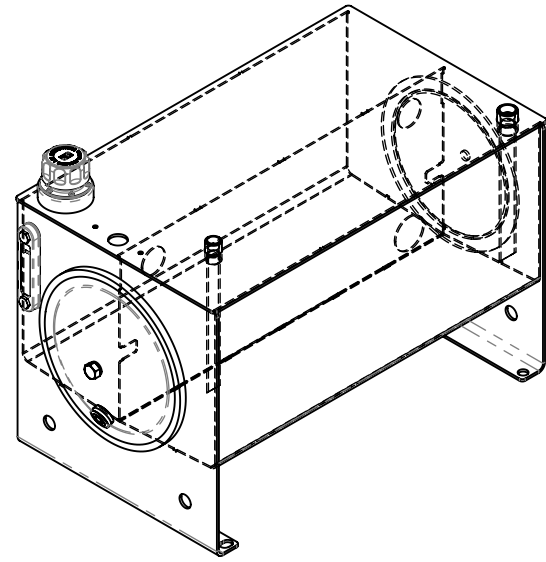


EZ MOD EXAMPLE, 20 GAL, MODIFIED V10020



- NOTES:
1. INTERIOR OF RESERVOIR COATED WITH RUST PREVENTATIVE OIL
 2. EXTERIOR OF RESERVOIR PRIME PAINTED LDI GRAY
 3. BUNA-N SEALS



MANITOWOC, WI HUNTLEY, IL
 MATERIAL STEEL
 FINISH GRAY PRIMER
 CUST NO -

	NAME	DATE
DRAWN BY	BMK	10/09/2020
CHECKED BY	BMK	10/09/2020
REVISED BY	DLH	10/19/2020

THIS DOCUMENT CONTAINS INFORMATION PROPRIETARY TO LDI INDUSTRIES, INC. AND IS FURNISHED UPON THE EXPRESS CONDITION THAT THE INFORMATION CONTAINED HEREIN WILL NOT BE DISCLOSED TO ANY THIRD PARTY OR USED DIRECTLY OR INDIRECTLY IN ANY WAY DETRIMENTAL TO THE INTEREST OF LDI INDUSTRIES, INC.

TITLE:
RES_STYLE_A_20GAL_STL_PRM

ECN NO		REV
SIZE	DWG. NO.	A
B		

DO NOT SCALE DRAWING SCALE: 1:8 WT(LB): 124.98 SHT 1 OF 1