

CENTRALIZED LUBRICATION SYSTEMS

PMP200 SERIES - ELECTRIC

Motor operated metering pumps are unique in that each outlet/feed is an individual positive displacement pump. These pumps are ideal for dispensing precise easily adjustable volumes of a variety of fluids including: oils or grease for lubrication, inks, dyes, chemical additives and cutting fluids.

The factory should be consulted before using with high water base fluids.

The motor operated metering pumps are:

- Positive displacement, self priming with up to 27 InHg (686mmHg)
- Will operate in any position.
- Are available in 1 to 4 pumps with each pump independently and externally adjustable from 0 to .01 cu. in. (0 to .20 cu. cm.) by a micrometer thread .02 (.57mm) pitch.
- Each pump will actuate once per minute of motor run time. The motor operated metering pumps are intended for lower output pressure applications or where a compressed air supply is not available.
- Oil applications should use R100 series filtered reservoirs.
- Grease applications should use GCA100 or GCA200, GR75 or GR168 Grease Reservoirs.

Standard Materials:

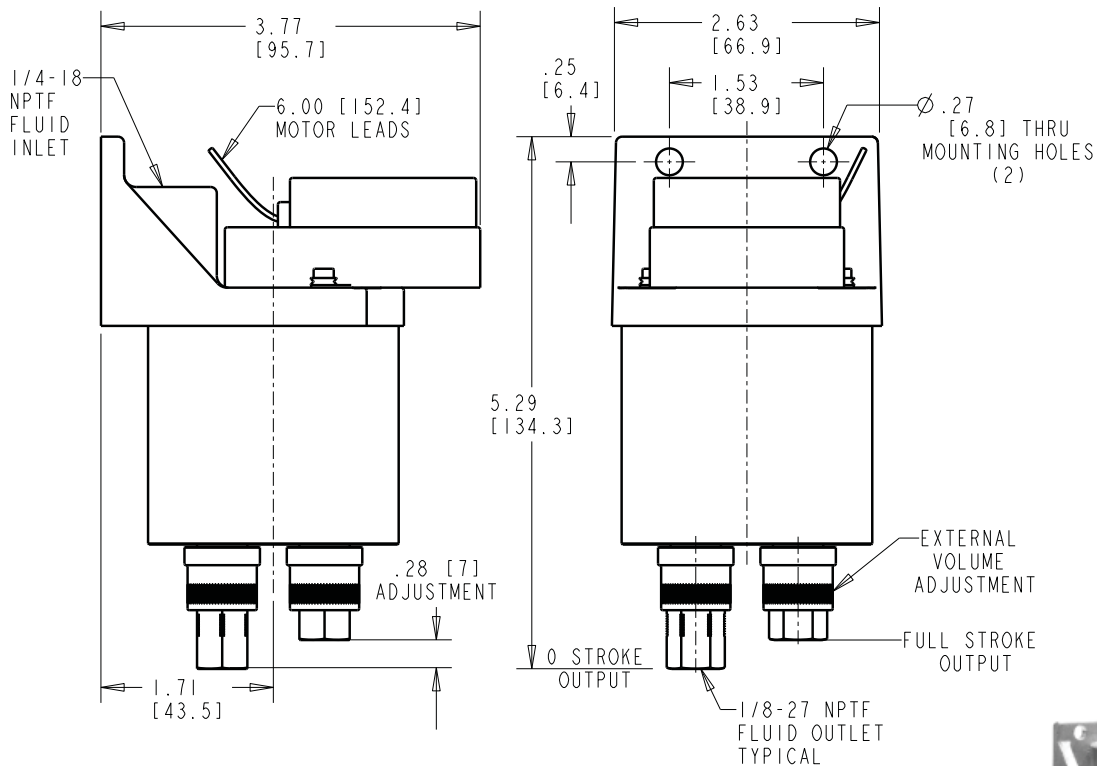
- Aluminum, Brass, Steel, Acrylic
- Buna N & Viton® seals

Temperature and Pressure Ratings:

- Maximum operating temperature up to 120°F (48°C)
- Minimum operating temperature 0°F (-17°C), oil
- Minimum operating temperature 32°F (0°C), grease
- Maximum output pressure up to 50 PSIG (345 kPa)
- 120V, 60Hz, 4W

CAUTION:

- For grease applications, the combination of higher viscosities, ambient temperatures lower than 32°F (0°C), excessively long runs of output feed lines, along with the type and use of smaller inside diameter feed lines, will have an effect on the feed rate and output capabilities of these pumps



NOTE: All dimensions are inches [mm]

HOW TO ORDER:

After **PMP200** (Part Number), specify the number of feeds required, separated by a dash (-). Specify 1 through 4 feeds (-01/-04).

Example

PMP200-04 _____ 4 FEED (shown)

Patent Number: 5,876,189



Dimensions and specifications are subject to change without notice. Not all items are Made-To-Stock, contact us for availability.

02/14

Ph : 920-682-6877
Fx : 920-684-7210

LDI Industries

sales@ldi-industries.com
www.ldi-industries.com