

# LUBRICATORS & DISPENSERS

## R100 SERIES

### GRAVITY FEED W/OUT FLOW CONTROL

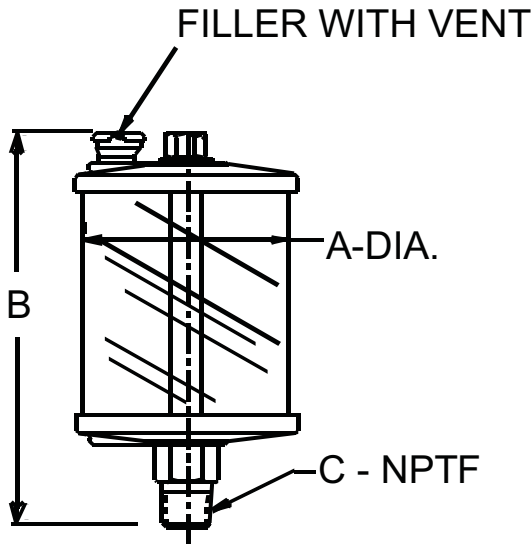
The R100 Series of gravity feed reservoirs without flow control are ideal for use as make-up or replenishing reservoirs. They can be installed in most cases to serve both as an oil cup to maintain oil level and as an oil gage to provide 360° visual check of fluid level and condition. All reservoirs feature self-closing snap lid filler caps, vented on the vertical plane to minimize the possibility of dust and dirt from entering the reservoir through the vent. Reservoirs can be disassembled for occasional cleaning.

#### Standard Materials:

- Aluminum construction
- Buna N seals
- Break resistant colorless transparent polymer
- Borosilicate glass for fluid compatibility and thermal shock

#### Temperature and Pressure Ratings:

- Polymer maximum working temperature up to 140°F (60°C)
- Glass maximum working temperature up to 250°F (121°C)
- Ratings are at atmospheric pressure.



**MODIFICATIONS AVAILABLE MADE TO ORDER - CONSULT OUR FACTORY (MINIMUM ORDER MAY BE REQUIRED)**

**R100 Series Gravity Feed Reservoir without Flow Control**

Part No.		Capacity	A inches (mm)	B inches (mm)	C Thread NPTF
Polymer	Glass				
R151-01	—	1.00 oz (29.60 mL)	1.50 (38.10)	3.00 (76.20)	1/8
R151-02	R151-12			3.19 (81.03)	1/4
R152-01	—	1.38 oz (40.70 mL)	1.75 (44.45)	2.94 (74.68)	1/8
R152-02	—			2.95 (74.93)	1/4
R153-01	—	1.75 oz (51.80 mL)	2.00 (50.80)	3.12 (79.25)	1/8
R153-02	—			3.38 (85.85)	1/4
R154-01	R154-11	2.50 oz (73.90 mL)	2.00 (50.80)	3.50 (88.90)	1/8
R154-02	—			3.75 (95.25)	1/4
R155-01	—	5.00 oz (147.90 mL)	2.50 (63.50)	4.12 (104.65)	1/8
R155-02	—			4.31 (109.47)	1/4
R107-01	—			5.19 (131.83)	1/8
R107-02	—	8.00 oz (236.60 mL)	2.50 (63.50)	5.38 (136.65)	1/4
R107-03	—			5.38 (136.65)	3/8
R108-01	—	9.00 oz (266.20 mL)	3.00 (76.20)	5.38 (136.65)	1/8
R108-02	—			5.50 (139.70)	1/4
R109-03	—	12.00 oz (354.90 mL)	3.00 (76.20)	6.44 (163.58)	3/8
R109-04	—			6.62 (168.15)	1/2
R110-03	—	1.00 pt (.47 L)	3.50 (88.90)	6.56 (166.62)	3/8
R110-04	R110-14			6.62 (168.15)	1/2
R111-03	—	1.00 qt (.95 L)	4.25 (107.95)	7.94 (201.68)	3/8
R111-04	—			8.06 (204.72)	1/2
R112-03	—	.50 gal (1.90 L)	5.50 (139.70)	9.94 (252.48)	3/8
R112-04	R112-14			10.12 (257.05)	1/2
R113-03	—	1.00 gal (3.80 L)	5.50 (139.70)	14.94 (379.48)	3/8
R113-04	R113-14			15.25 (387.35)	1/2

Dimensions and specifications are subject to change without notice. Not all items are Made-To-Stock, contact us for availability.

03/15

Ph : 920-682-6877  
Fx : 920-684-7210



sales@ldi-industries.com  
www.ldi-industries.com

# LUBRICATORS & DISPENSERS

## R100 SERIES

### GRAVITY FEED W/FILTER - NO FLOW CONTROL

The R100 Series of gravity feed reservoirs without flow control are ideal for use as make-up or replenishing reservoirs. They can be installed in most cases to serve both as an oil cup to maintain oil level and as an oil gage to provide 360° visual check of fluid level and condition. All reservoirs feature self-closing snap lid filler caps, vented on the vertical plane to minimize the possibility of dust and dirt from entering the reservoir through the vent. Reservoirs can be disassembled for occasional cleaning.

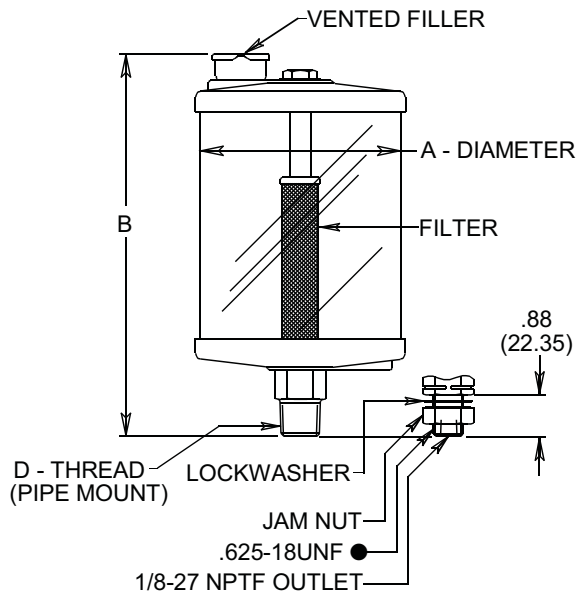
#### Standard Materials:

- Aluminum construction
- Buna N seals
- Break resistant colorless transparent polymer
- 100 Mesh Stainless Steel filter
- Some sizes have a brass shank

#### Temperature and Pressure Ratings:

- Polymer maximum working temperature up to 140°F (60°C)
- Ratings are at atmospheric pressure.

**NOTE:** Pipe or bracket mount styles available



**NOTE:** All dimensions are inches (mm)



R100 Series Gravity Feed w/Filter - No Flow Control				
Part No.	Capacity	A inches (mm)	B inches (mm)	D Thread
R110-02F			6.38 (162.05)	1/4 NPTF
R110-03F	1.00 pt (.47 L)	3.50 (88.90)	6.44 (163.58)	3/8 NPTF
R110-04F			6.62 (168.15)	1/2 NPTF
R110-08F			6.69 (169.93)	5/8-18 UNF ●
R111-02F			7.78 (197.61)	1/4 NPTF
R111-03F	1.00 qt (.95 L)	4.25 (107.95)	7.84 (199.14)	3/8 NPTF
R111-04F			8.00 (203.20)	1/2 NPTF
R111-08F			8.06 (204.72)	5/8-18 UNF ●
R112-02F			9.91 (251.72)	1/4 NPTF ▼
R112-03F	.50 gal (1.90 L)	5.50 (139.70)	9.97 (253.24)	3/8 NPTF
R112-04F			10.12 (257.05)	1/2 NPTF
R112-08F			10.19 (258.83)	5/8-18 UNF ●
R113-02F			14.91 (378.72)	1/4 NPTF ▼
R113-03F	1.00 gal (3.80 L)	5.50 (139.70)	14.97 (380.24)	3/8 NPTF
R113-04F			15.12 (384.05)	1/2 NPTF
R113-08F			15.19 (385.83)	5/8-18 UNF ●

Dimensions and specifications are subject to change without notice. Not all items are Made-To-Stock, contact us for availability.

02/14

Ph : 920-682-6877  
Fx : 920-684-7210

**LDI** Industries

sales@ldi-industries.com  
www.ldi-industries.com

# LUBRICATORS & DISPENSERS

## R100 SERIES

### GRAVITY FEED W/FILTER & LOW LEVEL SWITCH

The R100 Series of gravity feed reservoirs without flow control are ideal for use as make-up or replenishing reservoirs. They can be installed in most cases to serve both as an oil cup to maintain oil level and as an oil gage to provide 360° visual check of fluid level and condition. All reservoirs feature self-closing snap lid filler caps, vented on the vertical plane to minimize the possibility of dust and dirt from entering the reservoir through the vent. Reservoirs can be disassembled for occasional cleaning. The low level switch provides an electrical interface to activate a low reservoir level alarm or monitor used to determine when to refill the reservoir.

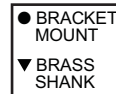
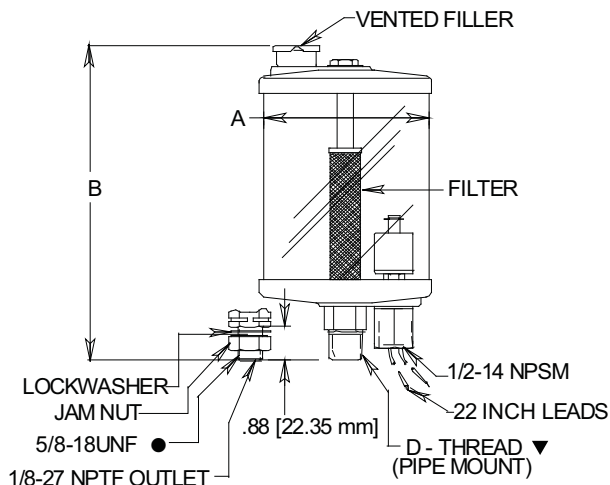
#### Standard Materials:

- Aluminum construction
- Buna N seals
- Break resistant colorless transparent polymer
- 100 mesh stainless steel filter
- 10 VA switch closes on descending level
- Some sizes have a brass shank
- DPDT, 10A, 120V, 60Hz relay for switch is available

#### Temperature and Pressure Ratings:

- Polymer maximum working temperature up to 140°F (60°C)
- Ratings are at atmospheric pressure.

**NOTE:** Pipe or bracket mount styles available



**NOTE:** All dimensions are inches [mm]

R100 Series Gravity w/Filter & Low Level Switch				
Part No.	Capacity	A inches (mm)	B inches (mm)	D Thread
R111-02FS			7.78 (197.61)	1/4 NPTF
R111-03FS	1.00 qt (.95 L)	4.25 (107.95)	7.84 (199.14)	3/8 NPTF
R111-04FS			8.00 (203.20)	1/2 NPTF
R111-08FS			8.06 (204.72)	5/8-18 UNF ●
R112-02FS			9.91 (251.72)	1/4 NPTF ▼
R112-03FS	.50 gal (1.90 L)	5.50 (139.70)	9.97 (253.24)	3/8 NPTF
R112-04FS			10.12 (257.05)	1/2 NPTF
R112-08FS			10.19 (258.83)	5/8-18 UNF ●
R113-02FS			14.91 (378.72)	1/4 NPTF ▼
R113-03FS	1.00 gal (3.80 L)	5.50 (139.70)	14.97 (380.24)	3/8 NPTF
R113-04FS			15.12 (384.05)	1/2 NPTF
R113-08FS			15.19 (385.83)	5/8-18 UNF ●

Dimensions and specifications are subject to change without notice. Not all items are Made-To-Stock, contact us for availability.

02/14

Ph : 920-682-6877  
Fx : 920-684-7210



sales@ldi-industries.com  
www.ldi-industries.com