

# LUBRICATORS & DISPENSERS

## RCL SERIES

The RCL Series of constant level reservoirs feature a large sight window for viewing liquid level and fluid condition. Furnished with "Oil Level" and line for positive level viewing. Reservoirs can be mounted on the side or bottom. They can be vented to atmosphere or back vented to housing.

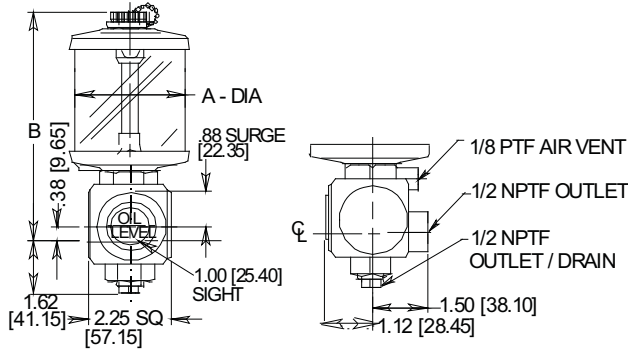
### Standard Materials:

- Aluminum construction
- Buna N seals
- Break resistant, colorless transparent polymer
- Borosilicate glass for fluid compatibility and thermal shock
- Pilot duty switch closes (activates) on descending level (conduit included)

### Temperature and Pressure Ratings:

- Polymer up to 140° F (60°C)
- Glass up to 180°F (82°C)
- Ratings are at atmospheric pressure
- For applications requiring maximum working temperatures of 180°F (82°C) and above, please consult factory

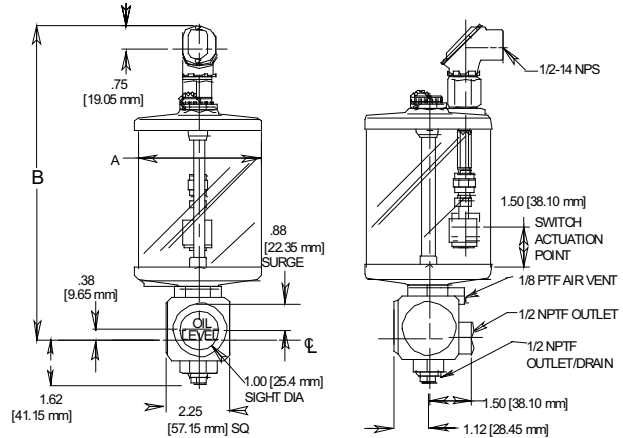
Fig. 1 - Top Fill with Sight Window



NOTE: All dimensions are inches [mm]



Fig. 2 - Low Level Switch



NOTE: Low level switch reservoirs available in large capacity units 1 quart (.95 liter), 1/2 gallon (1.89 liter), and 1 gallon (3.79 liter) sizes.

RCL Series					
Fig	Part Number		Capacity	A inches (mm)	B inches (mm)
	Polymer	Glass			
1	—	RCL311	2.50 oz (73.90 mL)	2.00 (50.80)	4.88 (123.95)
	RCL302	—	5 oz (147.90 mL)	2.50 (63.50)	5.38 (136.65)
	RCL303	RCL313	9 oz (266.20 mL)	3.00 (76.20)	6.19 (157.23)
	—	—	1 pt (.47 L)	3.50 (88.90)	7.19 (182.63)
	—	RCL315	1 qt (.95 L)	4.25 (107.95)	8.44 (214.38)
2	RCL305LS	—	1 qt (.95 L)	4.25 (107.95)	10.94 (277.88)
	RCL306LS	—	.50 gal (1.90 L)	5.50 (139.70)	13.00 (330.20)
	—	—	1.00 gal (3.80 L)	5.50 (139.70)	18.00 (457.20)

Dimensions and specifications are subject to change without notice. Not all items are Made-To-Stock, contact us for availability.

4/16

Ph : 920-682-6877  
Fx : 920-684-7210



sales@ldi-industries.com  
www.ldi-industries.com