

LUBRICATORS & DISPENSERS

RDF SERIES PIPE THREAD NPTF

The RDF Series of drop feed reservoirs feature a vented sight chamber, adjustable metering and toggle shut-off. Fill cap with side vent minimizes the possibility of dust and dirt entering the reservoir. Reservoirs can be disassembled for occasional cleaning.

Standard Materials:

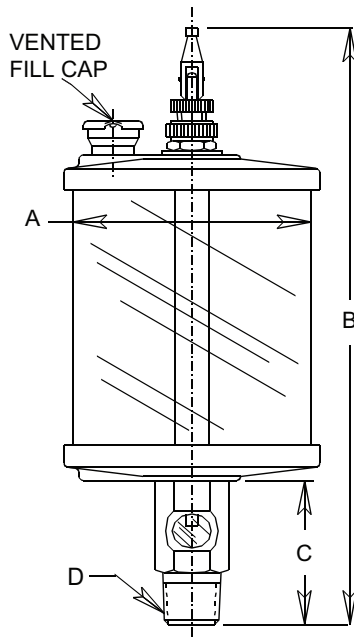
- Aluminum construction
- Buna N seals
- Gage glass sight
- Break resistant, colorless transparent polymer
- Borosilicate glass for fluid compatibility and thermal shock

Operating Conditions

- Polymer up to 140°F (60°C)
- Glass up to 250°F (121°C)
- Ratings are at atmospheric pressure
- Maximum viscosity 1500 SSU

NOTE:

- Please refer to Appendix LE-3 on page LE-A3 for Toggle Valve Adjustment Instructions



RDF Series Pipe Thread NPTF						
Part No.		Capacity	A inches (mm)	B inches (mm)	C inches (mm)	D Thread NPTF
Polymer	Glass					
RDF101-01	RDF101-11	.62 oz. (18.50 mL)	1.50 (38.10)	4.56 (115.82)	1.38 (35.05)	1/8
RDF102-01	—	1.00 oz. (29.60 mL)	1.50 (38.10)	5.00 (127.00)	1.38 (35.05)	1/8
RDF102-02	RDF102-12			5.19 (131.83)	1.56 (39.62)	1/4
RDF103-02	RDF103-12	1.50 oz. (44.40 mL)	1.75 (44.45)	5.38 (136.65)	1.56 (39.62)	1/4
RDF104-01	—	2.50 oz. (73.90 mL)	2.00 (50.80)	5.56 (141.22)	1.38 (35.05)	1/8
RDF104-03	RDF104-13			5.75 (146.05)	1.56 (39.62)	3/8
RDF105-02	—	5.00 oz. (147.90 mL)	2.50 (63.50)	6.38 (162.05)	1.56 (39.62)	1/4
RDF105-03	RDF105-13					3/8
RDF106-01	—	8.00 oz. (236.60 mL)	2.50 (63.50)	7.31 (185.67)	1.38 (35.05)	1/8
RDF107-03	RDF107-13	9.00 oz. (266.20 mL)	3.00 (76.20)	7.62 (193.55)	1.94 (49.28)	3/8
RDF107-04	RDF107-14			7.81 (198.37)	2.12 (53.85)	1/2
RDF108-02	—	12.00 oz. (354.90 mL)	3.00 (76.20)	8.94 (227.08)	1.94 (49.28)	1/4
RDF108-03	—			8.94 (227.08)	1.94 (49.28)	3/8
RDF108-04	—			9.12 (231.65)	2.12 (53.85)	1/2
RDF109-02	—			8.94 (227.08)	1.94 (49.28)	1/4
RDF109-03	RDF109-13	1.00 pt. (.47 L)	3.50 (88.90)	8.94 (227.08)	1.94 (49.28)	3/8
RDF109-04	RDF109-14			9.12 (231.65)	2.12 (53.85)	1/2
RDF110-03	—	1.00 qt. (.95 L)	4.25 (107.95)	9.94 (252.48)	1.94 (49.28)	3/8
RDF110-04	RDF110-14			10.12 (257.05)	2.12 (53.85)	1/2
RDF111-04	RDF111-14	.50 gal. (1.90 L)	5.50 (139.70)	12.06 (306.32)	2.12 (53.85)	1/2
RDF112-04	—	1.00 gal. (3.80 L)	5.50 (139.70)	17.06 (433.32)	2.12 (53.85)	1/2

**MODIFICATIONS AVAILABLE MADE TO ORDER - CONSULT OUR FACTORY
(MINIMUM ORDER MAY BE REQUIRED)**

Dimensions and specifications are subject to change without notice. Not all items are Made-To-Stock, contact us for availability.

04/23

Ph : 920-682-6877
Fx : 920-684-7210



sales@ldi-industries.com
www.ldi-industries.com

LUBRICATORS & DISPENSERS

RDF SERIES STRAIGHT THREAD/REMOTE MOUNT

The RDF Series of drop feed reservoirs feature a vented sight chamber, adjustable metering and toggle shut-off. Fill cap with side vent minimizes the possibility of dust and dirt entering the reservoir. Reservoirs can be disassembled for occasional cleaning.

Standard Materials:

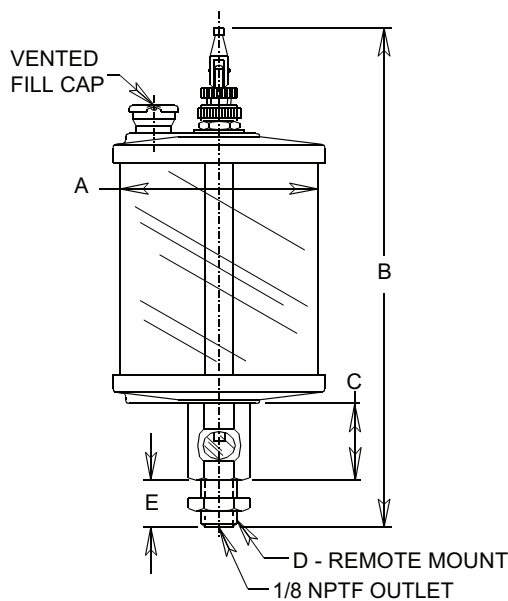
- Aluminum construction
- Buna N seals
- Gage glass sight
- Break resistant, colorless transparent polymer

Operating Conditions:

- Polymer up to 140°F (60°C)
- Ratings are at atmospheric pressure
- Maximum viscosity 1500 SSU

NOTE:

- Please refer to Appendix LE-3 on page LE-A3 for Toggle Valve Adjustment Instructions



RDF Series Straight Thread/Remote Mount						
Part No.	Capacity	A inches (mm)	B inches (mm)	C inches (mm)	D Thread UNF	E inches (mm)
RDF102-06	1.00 oz (29.60 mL)	1.50 (38.10)	5.30 (134.62)	1.00 (25.40)	9/16-18	.62 (15.75)
RDF103-06	1.50 oz (44.40 mL)	1.75 (44.45)	5.45 (138.43)	1.00 (25.40)	9/16-18	.62 (15.75)
RDF104-06	2.50 oz (73.90 mL)	2.00 (50.80)	5.74 (145.80)	1.00 (25.40)	9/16-18	.62 (15.75)
RDF105-06	5.00 oz (147.90 mL)	2.50 (63.50)	6.37 (161.80)	1.00 (25.40)	9/16-18	.62 (15.75)
RDF107-08	9.00 oz (266.20 mL)	3.00 (76.20)	7.00 (177.80)	1.38 (35.05)	5/8-18	.88 (22.35)
RDF108-08	12.00 oz (354.90 mL)	3.00 (76.20)	8.38 (212.85)	1.38 (35.05)	5/8-18	.88 (22.35)
RDF109-08	1.00 pt (.47 L)	3.50 (88.90)	8.94 (227.08)	1.38 (35.05)	5/8-18	.88 (22.35)
RDF110-08	1.00 qt (.95 L)	4.25 (107.95)	9.38 (238.25)	1.38 (35.05)	5/8-18	.88 (22.35)
RDF111-08	.50 gal (1.90 L)	5.50 (139.70)	12.19 (309.63)	1.38 (35.05)	5/8-18	.88 (22.35)
RDF112-08	1.00 gal (3.80 L)	5.50 (139.70)	16.31 (414.27)	1.38 (35.05)	5/8-18	.88 (22.35)

**MODIFICATIONS AVAILABLE MADE TO ORDER - CONSULT OUR FACTORY
(MINIMUM ORDER MAY BE REQUIRED)**

Dimensions and specifications are subject to change without notice. Not all items are Made-To-Stock, contact us for availability.

04/23

Ph : 920-682-6877
Fx : 920-684-7210



sales@ldi-industries.com
www.ldi-industries.com