

METERING & SHUT OFF VALVES

MINI LINE SERIES

The Mini Line Series is ideal for test bench and control panel applications. Designed for use with air, oil, water, steam, vacuum service and most chemicals.

Standard Features:

- Compact design provides easy installation
- Fine stem threading and long taper allow precise metering and leak-free shut off
- Internal stop prevents the stem from being accidentally unscrewed from the body
- Valves come equipped for panel mounting
- .182 inch orifice diameter
- 15° stem taper
- 32 threads/inch stem pitch

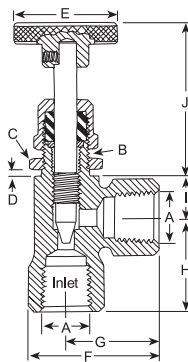
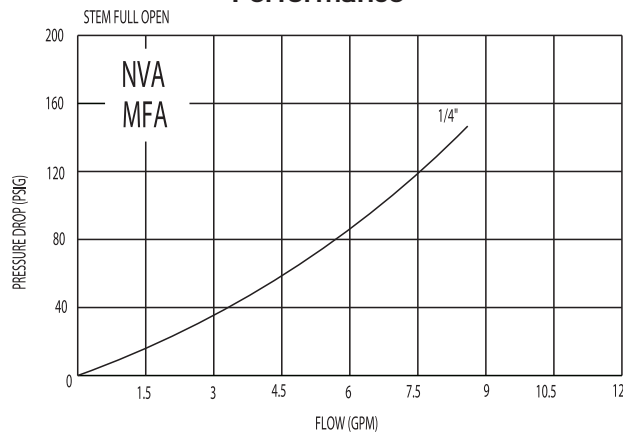
Standard Materials:

- Body, stem, knob, bonnet nut, panel mount nut - Brass
- Set screw - Steel
- Stem packing - Teflon with brass gland

Temperature and Pressure Ratings:

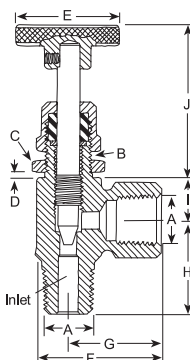
- Maximum operating pressure 5000 PSI (34474 kPa) Hydraulic oil
- Maximum operating pressure 2000 PSI (13790 kPa) Air
- Temperature range -40°F to 500°F (-40°C to 260°C)

Performance



NVA (dimensions in inches)

Part No.	A NPT	B Thread Size UNS-2B	C Hex Size	D Max	E	F	G	H	I	J Open	J Closed	CV
NVA250B	1/4	1/2-27	.69	.22	1.25	1.41	1.00	1.00	.44	2.16	1.59	.70



MFA (dimensions in inches)

Part No.	A NPT	B Thread Size UNS-2B	C Hex Size	D Max	E	F	G	H	I	J Open	J Closed	CV
MFA250B	1/4	1/2-27	.69	.22	1.25	1.34	1.00	1.00	.44	2.16	1.59	.70

Dimensions and specifications are subject to change without notice. Not all items are Made-To-Stock, contact us for availability.

02/14

Ph : 920-682-6877
Fx : 920-684-7210

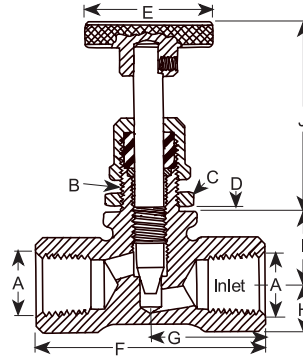
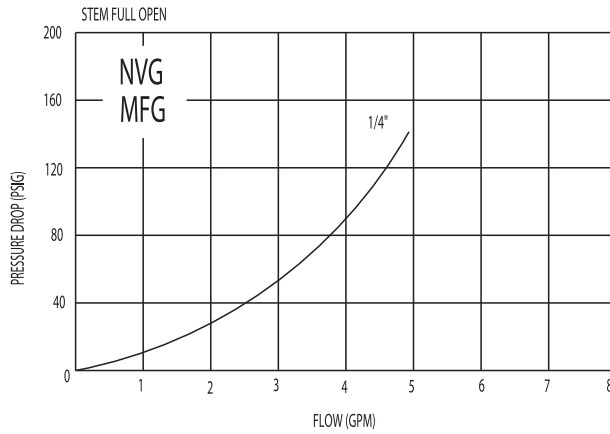


sales@ldi-industries.com
www.ldi-industries.com

METERING & SHUT OFF VALVES

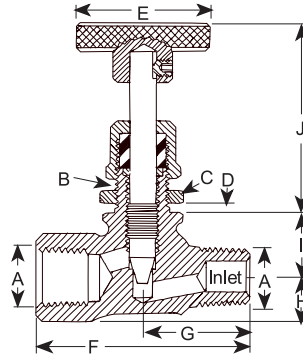
MINI LINE SERIES (CONT'D)

Performance



NVG (dimensions in inches)

Part No.	A NPT	B Thread Size UNS-2B	C Hex Size	D Max	E	F	G	H	I	J Open	J Closed	CV
NVG250B	1/4	1/2-27	.69	.22	1.25	1.34	1.00	1.00	.44	2.16	1.59	.70



MFG (dimensions in inches)

Part No.	A NPT	B Thread Size UNS-2B	C Hex Size	D Max	E	F	G	H	I	J Open	J Closed	CV
MFG250BF	1/4	1/2-27	.69	.22	1.25	2.00	1.00	.41	.44	2.16	1.78	.50

Dimensions and specifications are subject to change without notice. Not all items are Made-To-Stock, contact us for availability.

02/14

Ph : 920-682-6877
Fx : 920-684-7210



sales@ldi-industries.com
www.ldi-industries.com