

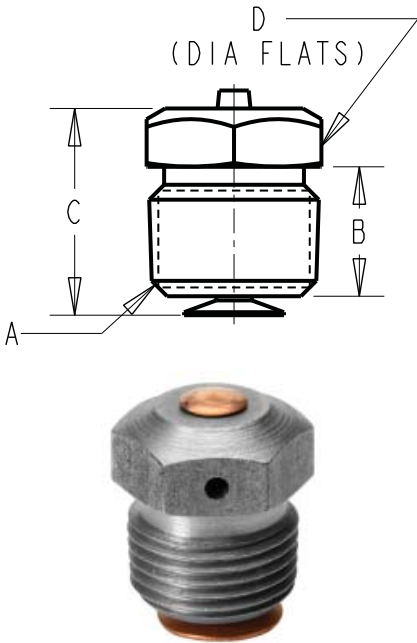
VENTS & BREATHERS

AV50 SERIES

The AV50 Series of baffle vents are used to vent gear cases, transmission housings and speed reducers.

Standard Materials:

- Steel body
- Copper baffle



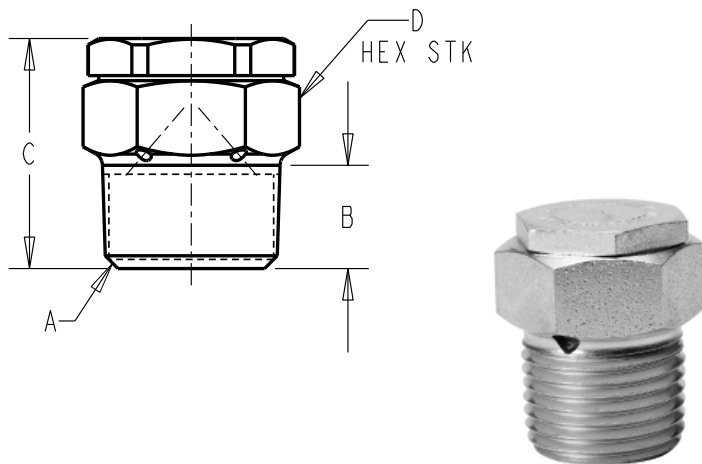
AV50 Series				
Part No.	A PTF	B inches (mm)	C inches (mm)	D inches (mm)
AV51	1/8	.31 (7.87)	.75 (19.05)	.44 (11.18)
AV52	1/4	.50 (12.70)	1.25 (31.75)	.62 (15.75)
AV53	3/8	.50 (12.70)	1.00 (25.40)	.69 (17.53)
AV54	1/2	.64 (16.26)	1.16 (29.46)	.88 (22.35)
AV55	3/4	.66 (16.76)	1.50 (38.10)	1.25 (31.75)

FV100 SERIES

The FV100 Series of filter vents features a 40 micron filter element which is easily removable for cleaning.

Standard Materials:

- Steel zinc plated construction
- Optional 10 micron filter element is available



FV100 Series				
Part No.	A PTF	B inches (mm)	C inches (mm)	D inches (mm)
FV101-S	1/8	.31 (7.87)	1.06 (26.92)	.75 (19.05)
FV102-S	1/4	.50 (12.70)	1.19 (30.23)	.75 (19.05)
FV103-S	3/8	.50 (12.70)	1.03 (26.16)	.75 (19.05)
FV104-S	1/2	.62 (15.75)	1.21 (30.73)	.94 (23.88)
FV105-S	3/4	.62 (15.75)	1.37 (34.80)	1.12 (28.45)
FV106-S	1	.81 (20.57)	1.56 (39.62)	1.38 (35.05)

Dimensions and specifications are subject to change without notice. Not all items are Made-To-Stock, contact us for availability.

05/16

Ph : 920-682-6877
Fx : 920-684-7210



sales@ldi-industries.com
www.ldi-industries.com