

COUPLING & FLANGE CONNECTIONS

SAE COUPLINGS

Our SAE couplings are designed to be welded into a reservoir, terminal bar or inline piping. The SAE tees can reduce the need for multiple fittings.

Standard Features:

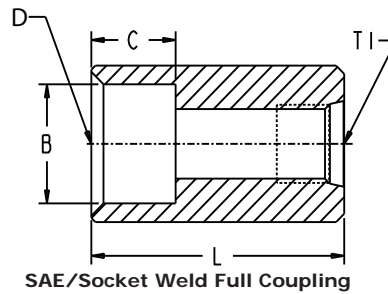
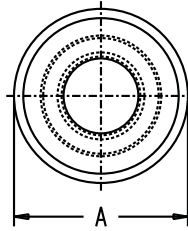
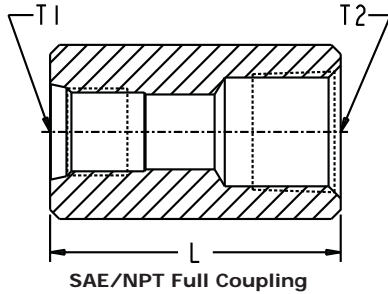
- Provides a o-ring seal to prevent leaks
- Couplings are available in full and half thread
- Full couplings are available in SAE to SAE, SAE to NPT and SAE to Socket Weld
- Tee's are available in reduced branch thread sizes

Standard Materials:

- 1117 CRS
- 316 Stainless Steel

Temperature Ratings:

- Temperature ratings vary by material selection for o-ring tank seal



SAE/NPT FULL COUPLING

SAE/NPT Full Coupling							
Steel Part No.	Stainless Steel Part No.	L Length inches	A Dia inches	T1 SAE Dash Size	T1	T2 (NPTF)	
1000	11600	1.875	1.125	-6	9/16-18	1/2-14	
1001	11601	1.875	1.125	-8	3/4-16	1/2-14	
1002	11602	2.000	1.375	-10	7/8-14	3/4-14	
1003	11603	2.000	1.375	-12	1 1/16-12	3/4-14	
1005	11605	2.375	1.750	-16	1 5/16-12	1-11 1/2	
1006	11606	2.625	2.250	-20	1 5/8-12	1 1/4-11 1/2	
1007	11607	3.000	2.500	-24	1 7/8-12	1 1/2-11 1/2	
1008	11608	3.375	3.000	-32	2 1/2-12	2-11 1/2	

SAE/SOCKET WELD FULL COUPLING

SAE/Socket Weld Full Coupling									
Steel Part No.	Stainless Steel Part No.	L Length inches	A Diameter inches	T1 SAE Dash Size	T1	Port D Socket for Pipe Size (Inches)	Dimensions		
							B inches	C inches	
1080	—	1.875	1.125	-6	9/16-18	1/2	.855	.625	
1081	11681	1.875	1.125	-8	3/4-16	1/2	.855	.625	
1083	11683	2.000	1.375	-12	1 1/16-12	3/4	1.065	.750	
1085	11685	2.375	1.750	-16	1 5/16-12	1	1.330	1.000	
1086	11686	2.625	2.250	-20	1 5/8-12	1 1/4	1.675	1.000	
1087	11687	3.000	2.500	-24	1 7/8-12	1 1/2	1.915	1.000	
1088	—	3.375	3.250	-32	2 1/2-12	2	2.406	1.250	

Dimensions and specifications are subject to change without notice. Not all items are Made-To-Stock, contact us for availability.

02/14

Ph : 920-682-6877
Fx : 920-684-7210

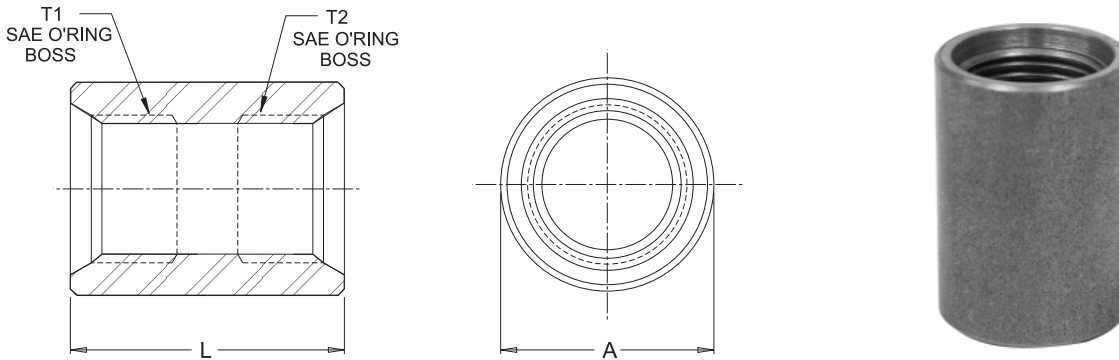


sales@ldi-industries.com
www.ldi-industries.com

COUPLING & FLANGE CONNECTIONS

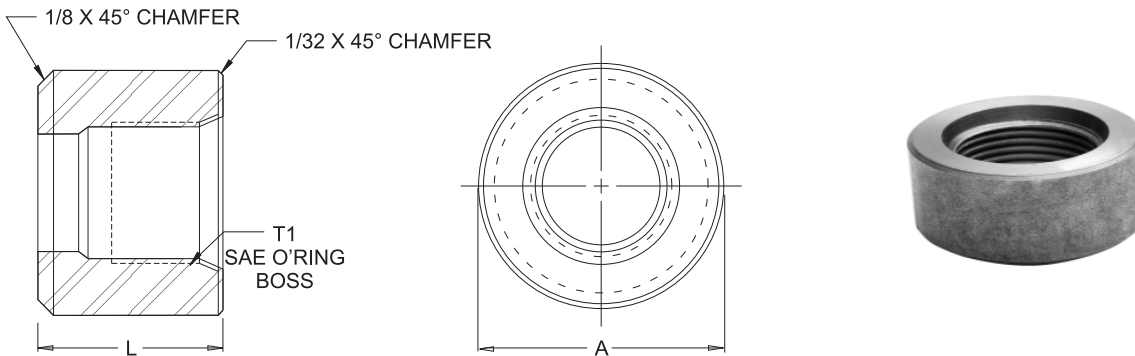
SAE COUPLINGS (CONT'D)

SAE O-RING BOSS FULL COUPLING



SAE O-Ring Boss Full Coupling						
Steel Part No.	L Length inches	A Dia inches	T1	T1 SAE Dash Size	T2	T2 SAE Dash Size
1020	1.500	.875	7/16-20	-4	7/16-20	-4
1021	1.375	1.000	9/16-18	-6	9/16-18	-6
1022	1.500	1.250	3/4-16	-8	3/4-16	-8
1023	1.750	1.500	7/8-14	-10	7/8-14	-10
1024	2.000	1.625	1 1/16-12	-12	1 1/16-12	-12
1026	2.000	2.000	1 5/16-12	-16	1 5/16-12	-16
1027	2.500	2.500	1 5/8-12	-20	1 5/8-12	-20
1028	2.500	2.500	1 7/8-12	-24	1 7/8-12	-24
1029	2.750	3.250	2 1/2-12	-32	2 1/2-12	-32

SAE HALF COUPLING



SAE Half Coupling					
Steel Part No.	Stainless Steel Part No.	L Length inches	A Diameter inches	T1 thread	T1 SAE Dash Size
6206	8906	.750	.875	7/16-20	-4
6207	—	.750	1.000	1/2-20	-5
6208	8908	.750	1.000	9/16-18	-6
6209	8909	.750	1.250	3/4-16	-8
6210	8910	.875	1.500	7/8-14	-10
6211	8911	1.000	1.625	1 1/16-12	-12
6213	8913	1.250	2.000	1 5/16-12	-16
6214	8914	1.250	2.500	1 5/8-12	-20
6215	8915	1.250	2.500	1 7/8-12	-24
6216	8916	1.375	3.250	2 1/2-12	-32

Dimensions and specifications are subject to change without notice. Not all items are Made-To-Stock, contact us for availability.

02/14

Ph : 920-682-6877
Fx : 920-684-7210

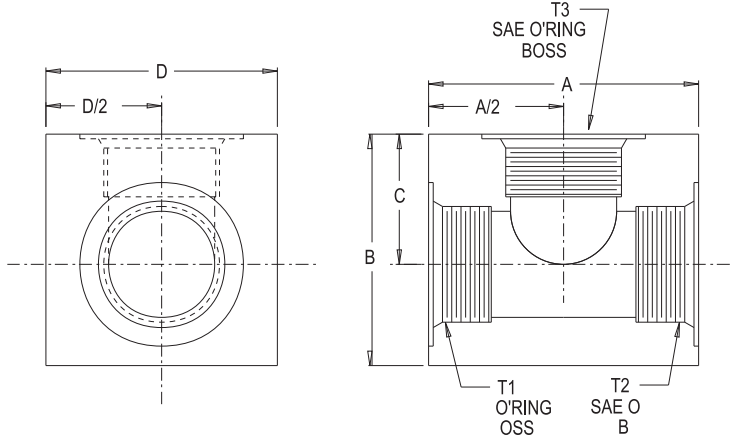


sales@ldi-industries.com
www.ldi-industries.com

COUPLING & FLANGE CONNECTIONS

SAE COUPLINGS (CONT'D)

SAE STRAIGHT THREAD TEE COUPLING



Material: 1117 CRS

Thread Tee Coupling										
Part No.	SAE Dash Size			Dimensions						
	T1	T2	T3	T1	T2	T3	A inches	B inches	C inches	D inches
1040	2 1/2-12	2 1/2-12	2 1/2-12	-32	-32	-32	5.00	4.00	2.19	4.00
1041	2 1/2-12	2 1/2-12	1 7/8-12	-32	-32	-24	5.00	4.00	2.19	4.00
1043	2 1/2-12	1 7/8-12	1 7/8-12	-32	-24	-24	5.00	4.00	2.19	4.00
1045	1 7/8-12	1 7/8-12	1 7/8-12	-24	-24	-24	4.12	3.50	2.00	3.50
1048	1 7/8-12	1 5/8-12	1 5/8-12	-24	-20	-20	4.12	3.50	2.00	3.50
1050	1 5/8-12	1 5/8-12	1 5/8-12	-20	-20	-20	3.50	2.75	1.62	2.75
1051	1 5/8-12	1 5/8-12	1 5/16-12	-20	-20	-16	3.50	2.75	1.62	2.75
1052	1 5/8-12	1 5/16-12	1 5/8-12	-20	-16	-20	3.50	2.75	1.62	2.75
1053	1 5/8-12	1 5/16-12	1 5/16-12	-20	-16	-16	3.50	2.75	1.62	2.75
1054	1 5/16-12	1 5/16-12	1 5/8-12	-16	-16	-20	3.25	2.50	1.50	2.50
1055	1 5/16-12	1 5/16-12	1 5/16-12	-16	-16	-16	3.25	2.50	1.50	2.50
1056	1 5/16-12	1 5/16-12	1 1/16-12	-16	-16	-12	3.25	2.50	1.50	2.50
1060	1 1/16-12	1 1/16-12	1 1/16-12	-12	-12	-12	3.00	2.12	1.31	2.12
1070	3/4-16	3/4-16	3/4-16	-8	-8	-8	2.62	1.75	1.12	1.75
1075	9/16-18	9/16-18	9/16-18	-6	-6	-6	2.62	1.75	1.12	1.75

Dimensions and specifications are subject to change without notice. Not all items are Made-To-Stock, contact us for availability.

02/14

Ph : 920-682-6877
Fx : 920-684-7210



sales@ldi-industries.com
www.ldi-industries.com