

# COUPLING & FLANGE CONNECTIONS

## SAE J518 SPLIT FLANGE

A Split Flange is made of two halves, and installation is easy on existing piping. Designed to allow easy assembly of the hose in tight quarters applications and provide tilt proof clamping. Split Flanges come in two varieties.

### Standard Features:

- Conforms to SAE J518 / ISO 6162
- Code 61 (3000 PSI) - Series SF
- Code 62 (6000 PSI) - Series SFX
- Each Kit contains: (2) split flange halves, (4) hex head bolt and lock washers, (1) Buna N o-ring



See below for metric mounting options

### Standard Materials:

- Carbon Steel
- Zinc Plated

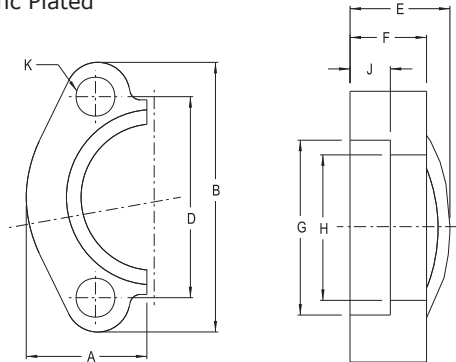


Figure 1

### Code 61 Split Flange (Figure 1)

Part No.	Flange Size inches	A inches ±.030	B inches ±.030	D inches ±.010	E inches ±.030	F inches ±.016	G inches ±.010	H inches ±.010	J inches ±.005	K inches ±.010	Mounting Hardware	
											O-Ring	HHCS
12 SF-0	.75	.98	2.56	1.875	.88	.56	1.531	1.265	.245	.406	214	3/8-16 x 1.25
16 SF-0	1.00	1.11	2.75	2.062	.94	.62	1.781	1.515	.295	.406	219	3/8-16 x 1.25
20 SF-0	1.25	1.39	3.12	2.312	.88	.56	2.031	1.720	.295	.469	222	7/16-14 x 1.50
24 SF-0	1.50	1.58	3.69	2.750	1.00	.62	2.406	2.000	.295	.531	225	1/2-13 x 1.50
32 SF-0	2.00	1.86	4.00	3.062	1.03	.62	2.844	2.470	.355	.531	228	1/2-13 x 1.50
40 SF-0	2.50	2.09	4.50	3.500	1.50	.75	3.344	2.950	.355	.531	232	1/2-13 x 1.75
48 SF-0	3.00	2.53	5.31	4.188	1.62	.88	4.031	3.580	.355	.656	237	5/8-11 x 2.00
56 SF-0	3.50	2.70	6.00	4.750	1.12	.88	4.531	4.030	.422	.656	241	5/8-11 x 2.00

### Code 62 Split Flange (Figure 1)

Part No.	Flange Size inches	A inches ±.030	B inches ±.030	D inches ±.010	E inches ±.030	F inches ±.016	G inches ±.010	H inches ±.010	J inches ±.005	K inches ±.010	Mounting Hardware	
											O-Ring	HHCS
12SFX-0	.75	1.14	2.81	2.00	1.12	.75	1.656	1.280	.325	.406	214	3/8-16 x 1.50
16SFX-0	1.00	1.33	3.19	2.250	1.31	.94	1.906	1.530	.355	.469	219	7/16-14 x 1.75
20SFX-0	1.25	1.48	3.75	2.625	1.50	1.06	2.156	1.750	.385	.531	222	1/2-13 x 1.75
24SFX-0	1.50	1.83	4.44	3.125	1.69	1.19	2.531	2.030	.475	.656	225	5/8-11 x 2.25
32SFX-0	2.00	2.20	5.25	3.812	2.06	1.44	3.156	2.660	.475	.781	228	3/4-10 x 2.75

### Metric Mounting Options

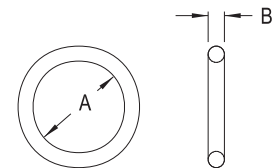
Code 61 Metric Mounting		
Pad Size	Metric Drilled Bolt Holes	Metric Tapped Bolt Holes
8	8.5 mm	M8 x 1.25
12	10.5 mm	M10 x 1.50
16	10.5 mm	M10 x 1.50
20	10.5 mm	M10 x 1.50
24	12.5 mm	M12 x 1.75
32	12.5 mm	M12 x 1.75
40	12.5 mm	M12 x 1.75
48	16.5 mm	M16 x 2.00
56	16.5 mm	M16 x 2.00
64	16.5 mm	M16 x 2.00

Code 62 Metric Mounting		
Pad Size	Metric Drilled Bolt Hole	Metric Tapped Bolt Holes
8	8.5 mm	M8 x 1.25
12	10.5 mm	M10 x 1.50
16	12.5 mm	M12 x 1.75
20	14.5 mm	M14 x 2.00
24	16.5 mm	M16 x 2.00
32	21.0 mm	M20 x 2.50

All items in our SAE Flange line are available with Metric Mounting options. Listed here are the standard metric drilled hole diameters and metric tapped holes which are provided both for the Code 61 and Code 62 applications.

### O Ring Information

90 Durometer Buna N O-Ring for Split Clamp Heads			
O-Ring	Size inch	A inch	B inch
210	0.50	0.75	0.139
214	0.75	1.00	0.139
219	1.00	1.31	0.139
222	1.25	1.60	0.139
228	2.00	2.25	0.139
232	2.50	2.75	0.139
237	3.00	3.38	0.139
241	3.50	3.88	0.139
245	4.00	4.38	0.139



Dimensions and specifications are subject to change without notice. Not all items are Made-To-Stock, contact us for availability.

02/14

Ph : 920-682-6877  
Fx : 920-684-7210



sales@ldi-industries.com  
www.ldi-industries.com