

FOOT MOUNTING BRACKETS

USAF17 4-BOLT

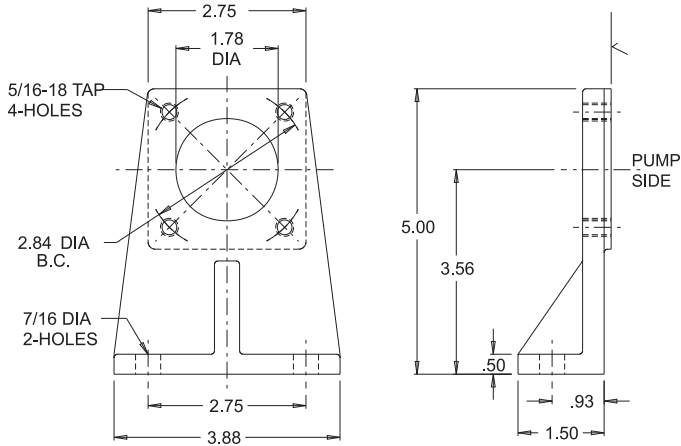
This Foot Mounting Bracket is designed to mount a USAF17 4-bolt hydraulic pump or motor with supporting feet.

Standard Features:

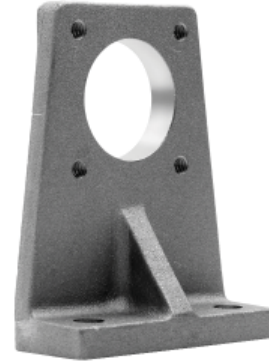
- Light weight - High strength
- Two foot mounting holes provided
- Machined to a 3.56 inch shaft centerline height

Standard Material:

- Cast Aluminum



NOTE: All dimensions are inches



USAF17 4-Bolt Foot Mounting Bracket

Part No.	Description
FM100	USAF17 4-Bolt Foot Bracket

SAE AA 2-BOLT

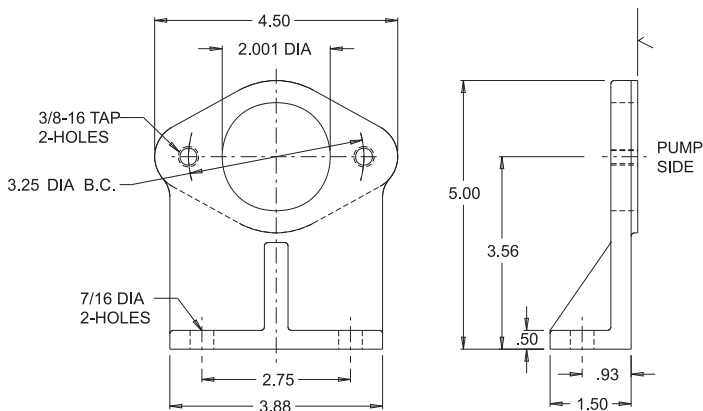
This Foot Mounting Bracket is designed to mount a SAE AA 2-bolt hydraulic pump or motor with supporting feet.

Standard Features:

- Light weight - High strength
- Two foot mounting holes provided
- Machined to a 3.56 inch shaft centerline height

Standard Material:

- Cast Aluminum



NOTE: All dimensions are inches



SAE AA 2-Bolt Foot Mounting Bracket

Part No.	Description
FM150	SAE AA 2-Bolt Foot Bracket

Dimensions and specifications are subject to change without notice. Not all items are Made-To-Stock, contact us for availability.

02/14

Ph : 920-682-6877
Fx : 920-684-7210



sales@ldi-industries.com
www.ldi-industries.com