

# NOISE & VIBRATION DAMPENING DEVICES

## DAMPENING BARS - BOLT DOWN

Motor Dampening Bars are designed to reduce vibration and structure borne noise levels from the motor to the mounting surface.

### Standard Features:

- Average expected reduction of structure borne noise is 3 - 4 dBA
- Full mounting range for NEMA frame motors
- Two are required per motor
- Horizontal installation only

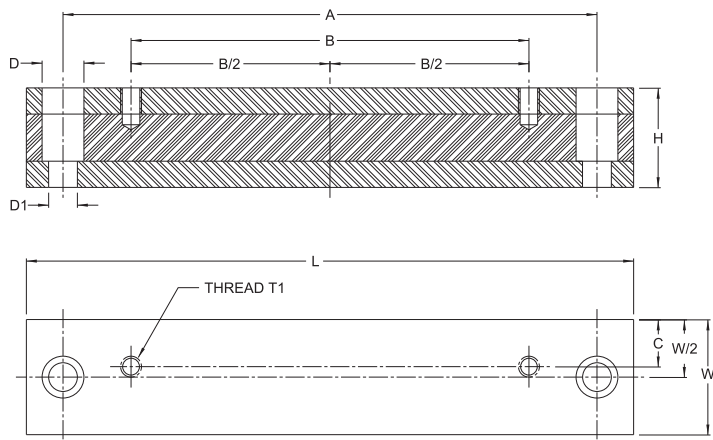
### Standard Material

- Natural rubber vulcanized bonded to carbon steel

### Temperature Ratings:

- Recommended operating temperature is -40° to 167° F (75°C).

**Caution:** Not intended for use in vertical applications



### Motor Dampening Bars - Bolt Down

Part No.	Motor Size	Dimensions (inches)								
		L	W	H	A	B	C	D	D1	T1 (NC)
VSM-56-B	56C	7.25	2.00	1.56	5.75	3.00	.88	.81	.56	5/16-18
VSM-143-B	143TC	7.75	2.00	1.56	6.25	4.00	.81	.81	.56	5/16-18
VSM-145-B	145TC	8.75	2.00	1.56	7.25	5.00	.81	.81	.56	5/16-18
VSM-182-B	182TC	8.75	2.00	1.56	7.25	4.50	.94	.81	.56	3/8-16
VSM-184-B	184TC	9.75	2.00	1.56	8.25	5.50	.94	.81	.56	3/8-16
VSM-213-B	213TC	10.00	2.00	1.56	8.50	5.50	.94	.81	.56	3/8-16
VSM-215-B	215TC	11.50	2.00	1.56	10.00	7.00	.94	.81	.56	3/8-16
VSM-254-B	254TC	13.00	2.00	1.75	11.50	8.25	.94	.81	.56	1/2-13
VSM-256-B	256TC	14.75	2.00	1.75	13.25	10.00	.94	.81	.56	1/2-13
VSM-284-B	284TC/TSC	14.50	2.75	2.38	12.75	9.50	1.12	1.25	.69	1/2-13
VSM-286-B	286TC/TSC	16.00	2.75	2.38	14.25	11.00	1.12	1.25	.69	1/2-13
VSM-324-B	324TC/TSC	16.00	3.00	2.38	14.00	10.50	1.56	1.25	.81	5/8-11
VSM-326-B	326TC/TSC	17.50	3.00	2.38	15.50	12.00	1.56	1.25	.81	5/8-11
VSM-364-B	364TC/TSC	17.00	3.00	2.38	15.00	11.25	1.56	1.25	.81	5/8-11
VSM-365-B	365TC/TSC	18.00	3.00	2.38	16.00	12.25	1.56	1.25	.81	5/8-11
VSM-404-B	404TC/TSC	19.50	4.00	2.38	17.25	12.25	2.00	1.56	1.06	3/4-10
VSM-405-B	405TC/TSC	21.00	4.00	2.38	18.75	13.75	2.00	1.56	1.06	3/4-10
VSM-444-B	444TC/TSC	23.00	4.50	2.38	20.75	14.50	2.25	1.56	1.06	3/4-10
VSM-445-B	445TC/TSC	26.00	4.50	2.38	23.75	16.50	2.25	1.56	1.06	3/4-10
VSM-447-B	447TC/TSC	36.00	4.50	2.38	33.00	20.00	2.31	1.75	1.06	3/4-10
VSM-449-B	449TC/TSC	36.00	4.50	2.38	33.00	25.00	2.31	1.75	1.06	3/4-10

Dimensions and specifications are subject to change without notice. Not all items are Made-To-Stock, contact us for availability.

06/20

Ph : 920-682-6877  
Fx : 920-684-7210



sales@ldi-industries.com  
www.ldi-industries.com

# NOISE & VIBRATION DAMPENING DEVICES

## DAMPENING BARS - WELDABLE

Motor Dampening Bars are designed to reduce vibration and structure borne noise levels from the motor to the mounting surface.

### Standard Features:

- Average expected reduction of structure borne noise is 3 - 4 dBA
- Full mounting range for NEMA frame motors
- Two are required per motor
- Horizontal installation only

### Standard Materials:

- Natural rubber vulcanized bonded to carbon steel

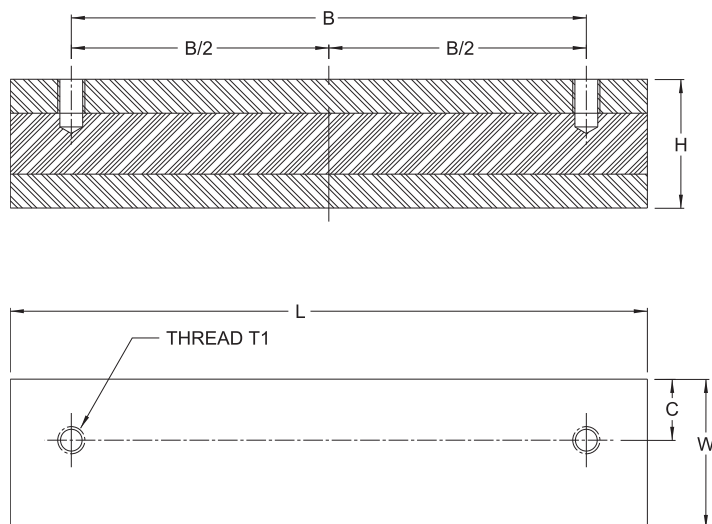
### Temperature Ratings:

- Recommended operating temperature is -40° to 167° F (75°C).

### NOTE:

- Please refer to Appendix RA-4 on page RA-A4 for welding instructions

**Caution:** Not intended for use in vertical applications



Motor Dampening Bars - Weldable							
Part No.	Motor Size	Dimensions (inches)					
		L	W	H	B	C	T1 (NC)
VSM-56-W	56C	4.75	2.00	1.56	3.00	.88	5/16-18
VSM-143-W	143TC	5.50	2.00	1.56	4.00	.81	5/16-18
VSM-145-W	145TC	6.50	2.00	1.56	5.00	.81	5/16-18
VSM-182-W	182TC	6.00	2.00	1.56	4.50	.94	3/8-16
VSM-184-W	184TC	7.00	2.00	1.56	5.50	.94	3/8-16
VSM-213-W	213TC	7.75	2.00	1.56	5.50	.94	3/8-16
VSM-215-W	215TC	9.00	2.00	1.56	7.00	.94	3/8-16
VSM-254-W	254TC	10.50	2.00	1.75	8.25	.94	1/2-13
VSM-256-W	256TC	12.25	2.00	1.75	10.00	.94	1/2-13
VSM-284-W	284TC/TSC	12.00	2.75	2.38	9.50	1.12	1/2-13
VSM-286-W	286TC/TSC	13.25	2.75	2.38	11.00	1.12	1/2-13
VSM-324-W	324TC/TSC	12.50	3.00	2.38	10.50	1.56	5/8-11
VSM-326-W	326TC/TSC	14.00	3.00	2.38	12.00	1.56	5/8-11
VSM-364-W	364TC/TSC	13.50	3.00	2.38	11.25	1.56	5/8-11
VSM-365-W	365TC/TSC	14.50	3.00	2.38	12.25	1.56	5/8-11
VSM-404-W	404TC/TSC	15.50	4.00	2.38	12.25	2.00	3/4-10
VSM-405-W	405TC/TSC	17.00	4.00	2.38	13.75	2.00	3/4-10
VSM-444-W	444TC/TSC	19.50	4.50	2.38	14.50	2.25	3/4-10
VSM-445-W	445TC/TSC	21.00	4.50	2.38	16.50	2.25	3/4-10
VSM-447-W	447TC/TSC	26.00	4.50	2.38	20.00	2.31	3/4-10
VSM-449-W	449TC/TSC	31.00	4.50	2.38	25.00	2.31	3/4-10

Dimensions and specifications are subject to change without notice. Not all items are Made-To-Stock, contact us for availability.

06/20

Ph : 920-682-6877  
Fx : 920-684-7210



sales@ldi-industries.com  
www.ldi-industries.com