

NOISE & VIBRATION DAMPENING DEVICES

182TC THRU 256TC & 213UC THRU 256UC

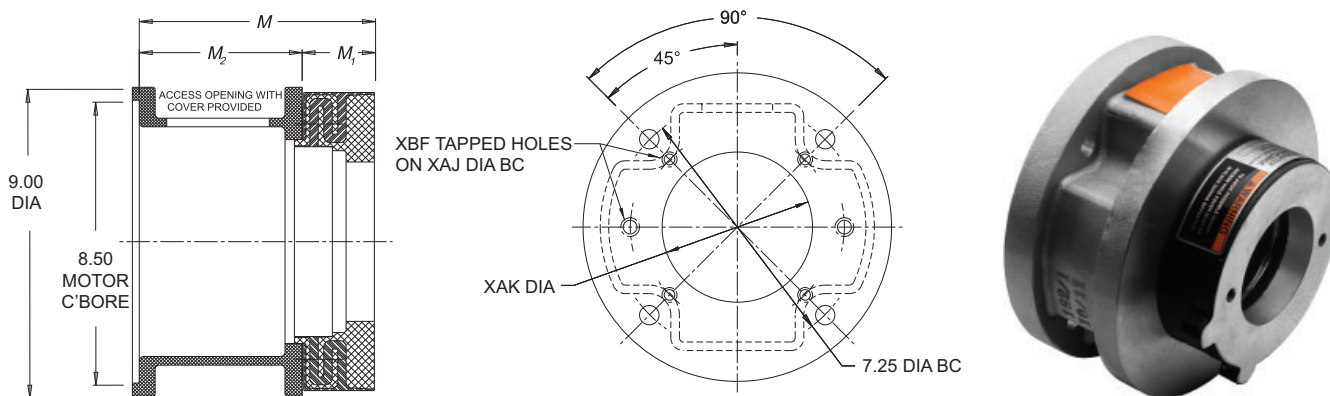
Dampening Flanges are designed to reduce the structure-borne and air-borne noise that is generated when the motor and pump are coupled together.

Standard Features:

- Machined for mounting the motor and hydraulic pump
- Assures proper shaft alignment
- Average expected reduction of air-borne noise is 3 - 6 dBA

Standard Materials:

- Aluminum casting mounted to a locked vulcanized dampening flange



NOTE: All dimensions are inches

Dampening Flange D150

Pump Type	Pump Flange	XAJ Bolt Circle	XAK Pump Pilot	XBF Holes	M ₁ Face to Face	Part No.
SAE A	2 Bolt	4.19	3.25	3/8-16	1.750	D150-A2

OVERALL Face to Face DIMENSION M = M₁ + M₂

Adapter For D150 Dampening Flange

Motor Frame Size	M ₂ Face to Face	Part No.	M Face to Face
182/TC thru 256/TC	3.500	182-L1	5.250
	3.937	182-L2	5.687
	4.375	182-L3	6.125

Dampening Flange D190

Pump Type	Pump Flange	XAJ Bolt Circle	XAK Pump Pilot	XBF Holes	M ₁ Face to Face	Part No.
SAE A	2 Bolt	4.19	3.25	3/8-16	1.750	D190-A2
SAE B	2 Bolt	5.75	4.00	1/2-13	1.750	D190-B2
SAE B	4 Bolt	5.00	4.00	1/2-13	1.750	D190-B4

OVERALL Face to Face DIMENSION M = M₁ + M₂

Adapter For D190 Dampening Flange

Motor Frame Size	M ₂ Face to Face	Part No.	M Face to Face
182/TC thru 256/TC	3.500	182-L1	5.250
	3.812	182-L2	5.562
	4.375	182-L3	6.125

Dampening Flange D230

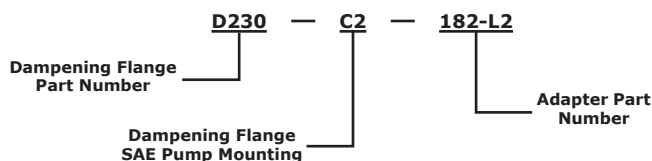
Pump Type	Pump Flange	XAJ Bolt Circle	XAK Pump Pilot	XBF Holes	M ₁ Face to Face	Part No.
SAE B	2 Bolt	5.75	4.00	1/2-13	2.250	D230-B2
SAE B	4 Bolt	5.00	4.00	1/2-13	2.250	D230-B4
SAE C	2 Bolt	7.12	5.00	5/8-11	2.250	D230-C2
SAE C	4 Bolt	6.38	5.00	1/2-13	2.250	D230-C4

OVERALL Face to Face DIMENSION M = M₁ + M₂

Adapter For D230 Dampening Flange

Motor Frame Size	M ₂ Face to Face	Part No.	M Face to Face
182/TC thru 256/TC	3.500	182-L1	5.750
	3.937	182-L2	6.187
	4.375	182-L3	6.625

MODEL CODE - ORDERING INFORMATION FOR COMPLETE ASSEMBLY



If your required model or dampening flange is not known, or you wish to verify your selection, please provide LDI with the following information:

1. Motor HP with frame size
2. Pump manufacturer and complete model number
3. Pump weight
4. Coupling manufacturer and model

Dimensions and specifications are subject to change without notice. Not all items are Made-To-Stock, contact us for availability.

11/20

Ph : 920-682-6877
Fx : 920-684-7210



sales@ldi-industries.com
www.ldi-industries.com