

NOISE & VIBRATION DAMPENING DEVICES

284 THRU 286TC/TSC & 284 THRU 286UC/USC

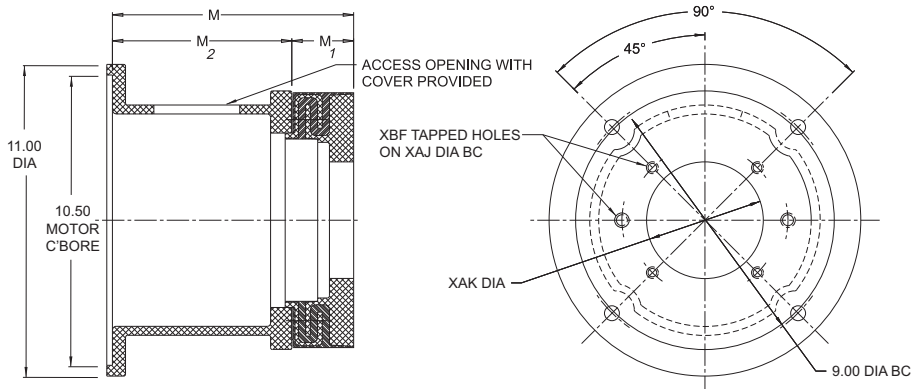
Dampening Flanges are designed to reduce the structure-borne and air-borne noise that is generated when the motor and pump are coupled together.

Standard Features:

- Machined for mounting the motor and hydraulic pump
- Assures proper shaft alignment
- Average expected reduction of air-borne noise is 3 - 6 dBA

Standard Materials:

- Aluminum casting mounted to a locked vulcanized dampening flange



NOTE: All dimensions are inches

Dampening Flange D190						
Pump Type	Pump Flange	XAJ Bolt Circle	XAK Pump Pilot	XBF Holes	M ₁ Face to Face	Part No.
SAE A	2 Bolt	4.19	3.25	3/8-16	1.750	D190-A2
SAE B	2 Bolt	5.75	4.00	1/2-13	1.750	D190-B2
SAE B	4 Bolt	5.00	4.00	1/2-13	1.750	D190-B4

OVERALL Face to Face DIMENSION $M = M_1 + M_2$

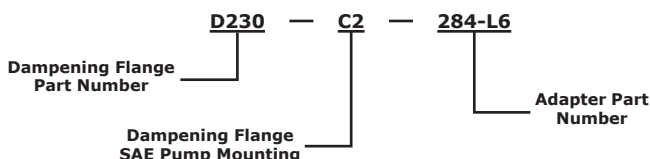
Adapter For D190 Dampening Flange			M Face to Face
Motor Frame Size	M ₂ Face to Face	Part No.	
284/TC/TSC thru 286/TC/TSC	3.625	284-L1	5.375
	4.063	284-L2	5.812
	4.375	284-L3	6.125
	4.750	284-L4	6.500
	5.063	284-L5	6.812
	5.375	284-L6	7.125
	5.750	284-L7	7.500
	6.437	284-L8	8.187
	6.750	284-L9	8.500
	7.000	284-L10	8.750

Dampening Flange D230						
Pump Type	Pump Flange	XAJ Bolt Circle	XAK Pump Pilot	XBF Holes	M ₁ Face to Face	Part No.
SAE B	2 Bolt	5.75	4.00	1/2-13	2.250	D230-B2
SAE B	4 Bolt	5.00	4.00	1/2-13	2.250	D230-B4
SAE C	2 Bolt	7.12	5.00	5/8-11	2.250	D230-C2
SAE C	4 Bolt	6.38	5.00	1/2-13	2.250	D230-C4

OVERALL Face to Face DIMENSION $M = M_1 + M_2$

Adapter For D230 Dampening Flange			M Face to Face
Motor Frame Size	M ₂ Face to Face	Part No.	
284/TC/TSC thru 286/TC/TSC	3.625	284-L1	5.875
	4.063	284-L2	6.312
	4.375	284-L3	6.625
	4.750	284-L4	7.000
	5.063	284-L5	7.312
	5.375	284-L6	7.625
	5.750	284-L7	8.000
	6.437	284-L8	8.687
	6.750	284-L9	9.000
	7.000	284-L10	9.250

MODEL CODE - ORDERING INFORMATION FOR COMPLETE ASSEMBLY



If your required model or dampening flange is not known, or you wish to verify your selection, please provide LDI with the following information:

1. Motor HP with frame size
2. Pump manufacturer and complete model number
3. Pump weight
4. Coupling manufacturer and model

Dimensions and specifications are subject to change without notice. Not all items are Made-To-Stock, contact us for availability.

11/20

Ph : 920-682-6877
Fx : 920-684-7210



sales@ldi-industries.com
www.ldi-industries.com