

# PUMP MOTOR ADAPTERS FOR ELECTRIC MOTORS

## 182TC THRU 256TC & 213UC THRU 256UC

Pump Motor Adapters (Bell Housings) are designed to assure proper shaft alignment between the electric motor and your hydraulic pump. They also reduce assembly cost over using a foot mounting bracket or riser.

### Standard Features:

- Drive coupling access hole with safety orange removable cover
- Electric Motor mounting bolts provided
- Pump mounting orientation can be rotated in 90 degree increments by rotating the adapter on the electric motor
- Available for mounting your assembly horizontal and vertical with most adapter styles

### Standard Material:

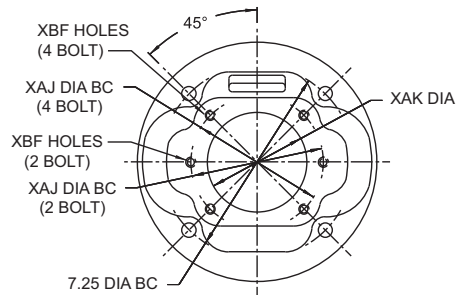
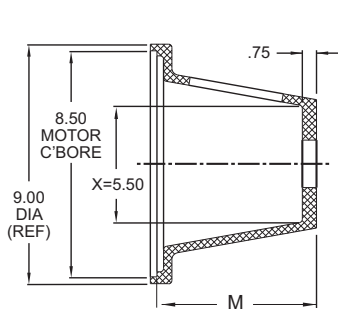
- Die and Cast Aluminum

### NOTES:

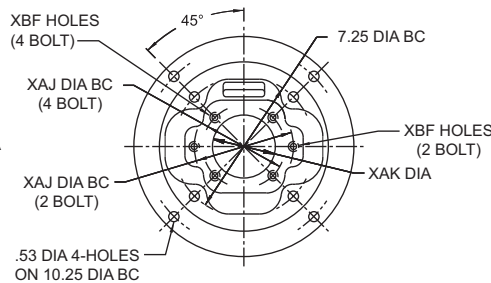
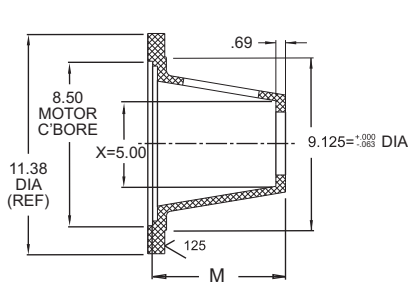
- X = Permissible inside radial clearance
- All dimensions are inches

### WARNING:

- To avoid possible injury, access hole cover must be in place during operation

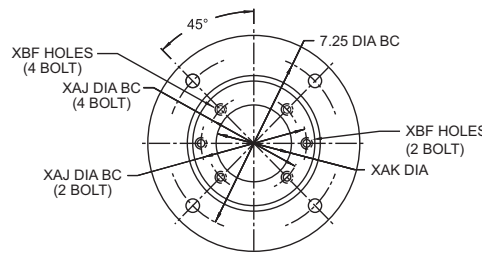
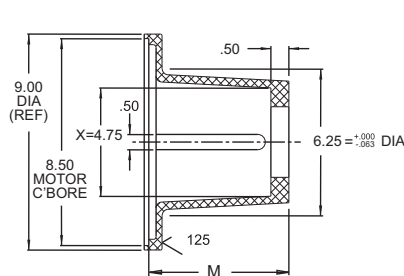


**STYLE 5 ADAPTER**  
Horizontal Mounting Only



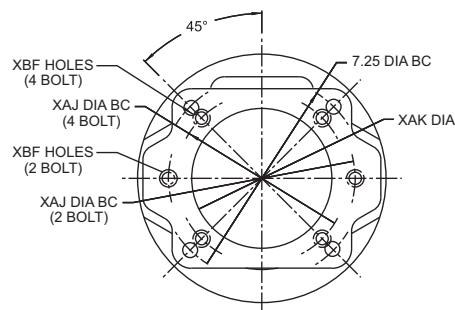
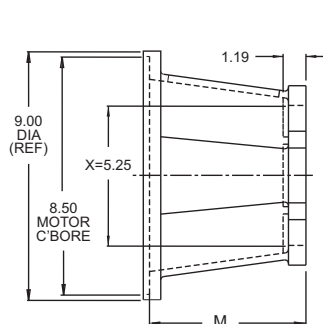
**STYLE 6 ADAPTER**  
Vertical Mounting Only

**Note:** See page 99 for vertical mounting information & vertical mounting gasket



**STYLE 7 ADAPTER**  
Horizontal/Vertical Mounting

**Note:** See page 99 for vertical mounting information & vertical mounting gasket



**STYLE 8 ADAPTER**  
Horizontal Mounting Only

If your pump is not listed or is a non-standard pump, contact us for special machining and/or information. Not all pump mounting holes are supplied on every adapter.

Dimensions and specifications are subject to change without notice. Not all items are Made-To-Stock, contact us for availability.

11/15

# PUMP MOTOR ADAPTERS FOR ELECTRIC MOTORS

## 182TC THRU 256TC & 213UC THRU 256UC (CONT'D)

Motor Size	182TC	184TC	213TC	215TC	254TC	256TC	213UC	215UC	254UC	256UC
HP/1800 RPM	3	5	7-1/2	10	15	20	2	3	7-1/2	10
Shaft Diameter	1.12	1.12	1.38	1.38	1.6258	1.62	1.12	1.12	1.38	1.38
Key Size	1/4	1/4	5/16	5/16	3/8	3/8	1/4	1/4	5/16	5/16
Shaft Length	2.62	2.62	3.12	3.12	3.75	3.75	2.75	2.75	3.50	3.50



### Pump Mounts - 182TC thru 256TC and 213UC thru 256UC

Pump Type	Flange	XAJ Bolt Circle	XAK Pump Pilot	XBF Mounting Holes	Adapter Style	Mounting		M Face to Face	Part No.	
						Horizontal	Vertical			
<b>Standard SAE Pump Flanges</b>										
USA 4F17	4 Bolt	2.84	1.781	5/16-18		7	Yes	Yes	4.63	<b>3371</b>
						7	Yes	Yes	5.00	<b>6033</b>
						6	No	Yes	5.00	<b>6053</b>
						5	Yes	No	5.81	<b>1965</b>
						7	Yes	Yes	5.88	<b>6037</b>
SAE AA	2 Bolt	3.25	2.001	3/8-16		7	Yes	Yes	4.38	<b>2196</b>
						7	Yes	Yes	4.63	<b>3373</b>
						5	Yes	No	5.00	<b>1994</b>
SAE AA	2 Bolt	3.25	2.001	3/8-16		7	Yes	Yes	5.00	<b>6031</b>
						7	Yes	Yes	5.25	<b>168299</b>
						7	Yes	Yes	5.44	<b>157299</b>
						6	No	Yes	5.75	<b>6057</b>
						7	Yes	Yes	5.88	<b>6035</b>
SAE A	2 Bolt	4.19	3.251	3/8-16		7	Yes	Yes	4.38	<b>2198*</b>
						7	Yes	Yes	4.63	<b>6026*</b>
						5	Yes	No	5.00	<b>1960</b>
						7	Yes	Yes	5.00	<b>6030*</b>
						6	No	Yes	5.00	<b>6054</b>
						7	Yes	Yes	5.25	<b>168399*</b>
						7	Yes	Yes	5.44	<b>3364*</b>
						6	No	Yes	5.75	<b>6055</b>
						5	Yes	No	5.81	<b>1959</b>
						7	Yes	Yes	5.88	<b>6034*</b>
						8	Yes	No	6.38	<b>3365</b>
						5	Yes	No	6.81	<b>1950</b>
						6	No	Yes	6.81	<b>6058</b>
7	Yes	Yes	6.88	<b>6038*</b>						
SAE B	2 Bolt 4 Bolt	5.75 5.00	4.001	1/2-13		5	Yes	No	5.00	<b>1964</b>
						6	No	Yes	5.00	<b>6032</b>
						8	Yes	No	5.44	<b>254199</b>
						6	No	Yes	5.75	<b>6036</b>
						5	Yes	No	5.81	<b>1952</b>
						8	Yes	No	6.38	<b>254299</b>
						5	Yes	No	6.81	<b>1951</b>
						6	No	Yes	6.81	<b>6040</b>
8	Yes	No	7.38	<b>254399</b>						
SAE C	2 Bolt 4 Bolt	7.12 6.38	5.001	5/8-11 1/2-13		8	Yes	No	5.44	<b>1946</b>
						8	Yes	No	6.38	<b>1955</b>
						8	Yes	No	7.38	<b>1956</b>
SAE D	2 Bolt 4 Bolt	9.00	6.001	3/4-10		Steel	Yes	No	7.00	<b>1886</b>
						Steel	Yes	No	8.25	<b>1884</b>

\*Non-stock special order item

\*NOTE: Also contains additional SAE-A 4 bolt mounting suitable for mounting SAE-A 45°

Dimensions and specifications are subject to change without notice. Not all items are Made-To-Stock, contact us for availability.

04/15

Ph : 920-682-6877  
Fx : 920-684-7210



sales@ldi-industries.com  
www.ldi-industries.com

# PUMP MOTOR ADAPTERS FOR ELECTRIC MOTORS

## 182TC THRU 256TC & 213UC THRU 256UC (CONT'D)

Pump Mounts - 182TC thru 256TC and 213UC thru 256UC (CONT'D)									
Pump Type	Flange	XAJ Bolt Circle	XAK Pump Pilot	XBF Mounting Holes	Adapter Style	Mounting		M Face to Face	Part No.
						Horizontal	Vertical		
<b>SAE 2 Bolt 45° Offset Mounting Flange</b>									
SAE B (45°)	2 Bolt	5.75	4.001	1/2-13	8	Yes	No	5.44	<b>2116</b>
					8	Yes	No	6.38	<b>2117</b>
					8	Yes	No	7.38	<b>2118</b>
SAE C (45°)	2 Bolt	7.12	5.001	5/8-11	8	Yes	No	6.38	<b>2110</b>
					8	Yes	No	7.38	<b>2109</b>
<b>4 Bolt Square Mounting Flanges</b>									
4HNA	4 Bolt	5.006	3.742	3/8-16	5	Yes	No	5.00	<b>2108</b>
4HV	4 Bolt	5.00	3.750	3/8-16	5	Yes	No	5.00	<b>1943</b>
<b>Metric Series Pump Flanges</b>									
80mm	4 Bolt	100mm	80.02mm	5/16-18	7	Yes	Yes	6.88	<b>3366</b>
80mm	2 Bolt	109mm	80.02mm	3/8-16	8	Yes	No	6.38	<b>2154<sup>†</sup></b>
	4 Bolt	103mm		5/16-18					
100mm	2 Bolt	140mm	100.02mm	1/2-13	5	Yes	No	5.00	<b>1878<sup>†</sup></b>
	4 Bolt	125mm		3/8-16	5	Yes	No	6.81	<b>2156<sup>†</sup></b>
125mm	2 Bolt	180mm	125.02mm	5/8-11	8	Yes	No	6.38	<b>2174</b>
	4 Bolt	160mm		1/2-13	8	Yes	No	7.38	<b>2187<sup>†</sup></b>
<b>Metric Series 4 Bolt Flanges</b>									
R4	4 Bolt	80mm	63.02mm	13/32 Dia	7	Yes	Yes	5.88	<b>2183</b>
<sup>†</sup> Non-stock special order item <sup>†</sup> NOTE: Also contains additional SAE-A 4 bolt mounting suitable for mounting SAE-A 45°									

Dimensions and specifications are subject to change without notice. Not all items are Made-To-Stock, contact us for availability.

04/15

Ph : 920-682-6877  
 Fx : 920-684-7210



sales@ldi-industries.com  
 www.ldi-industries.com