

PUMP MOTOR ADAPTERS FOR ELECTRIC MOTORS

284 THRU 286TC/TSC & 284 THRU 286UC/USC

Pump Motor Adapters (Bell Housings) are designed to assure proper shaft alignment between the electric motor and your hydraulic pump. They also reduce assembly cost over using a foot mounting bracket or riser.

Standard Features:

- Drive coupling access hole with safety orange removable cover
- Electric Motor mounting bolts provided
- Pump mounting orientation can be rotated in 90 degree increments by rotating the adapter on the electric motor

Standard Material:

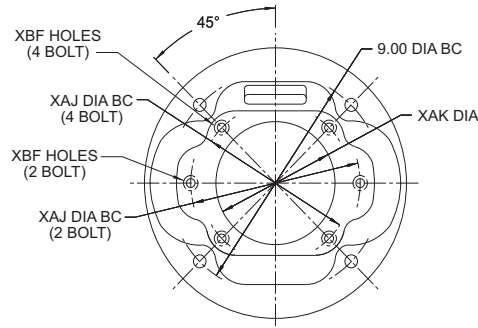
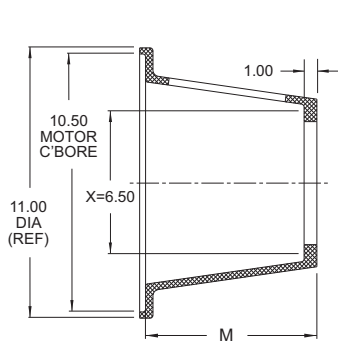
- Cast Aluminum

NOTES:

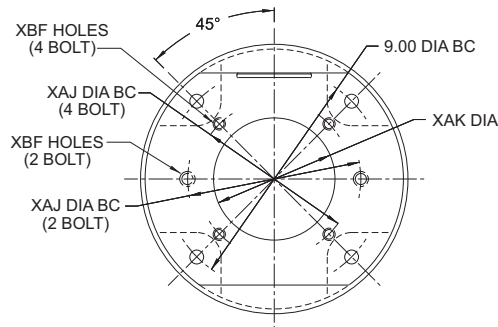
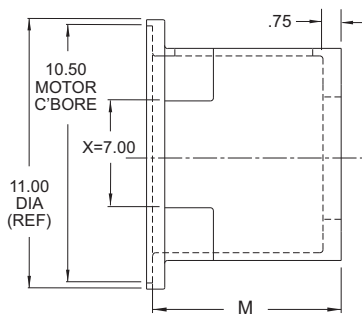
- X = Permissible inside radial clearance
- All dimensions are inches

WARNING:

- To avoid possible injury, access hole cover must be in place during operation



STYLE 11 ADAPTER
Horizontal Mounting Only



STYLE 12 ADAPTER
Horizontal Mounting Only

If your pump is not listed or is a non-standard pump, contact us for special machining and/or information. Not all pump mounting holes are supplied on every adapter.

| Motor Size | 284TSC | 286TSC | 284TC | 286TC | 284UC | 286USC |
|----------------|--------|--------|-------|-------|-------|--------|
| HP/1800 RPM | 25 | 30 | 25 | 30 | 15 | 20 |
| Shaft Diameter | 1.62 | 1.62 | 1.88 | 1.88 | 1.62 | 1.62 |
| Key Size | 3/8 | 3/8 | 1/2 | 1/2 | 3/8 | 3/8 |
| Shaft Length | 3.00 | 3.00 | 4.38 | 4.38 | 4.62 | 4.62 |



Dimensions and specifications are subject to change without notice. Not all items are Made-To-Stock, contact us for availability.

11/15

Ph : 920-682-6877
Fx : 920-684-7210



sales@ldi-industries.com
www.ldi-industries.com

PUMP MOTOR ADAPTERS FOR ELECTRIC MOTORS

284 THRU 286TC/TSC & 284 THRU 286UC/USC (CONT'D)

| Pump Mounts - 284 thru 286TC/TSC and 284 thru 286UC/USC | | | | | | | | | |
|---|------------------|-----------------|----------------|--------------------|---------------|------------|----------|----------------|----------------|
| Pump Type | Flange | XAJ Bolt Circle | XAK Pump Pilot | XBF Mounting Holes | Adapter Style | Mounting | | M Face to Face | Part No. |
| | | | | | | Horizontal | Vertical | | |
| Standard SAE Pump Flanges | | | | | | | | | |
| SAE A | 2 Bolt | 4.19 | 3.251 | 3/8-16 | 11 | Yes | No | 5.88 | 1851 |
| | | | | | 11 | Yes | No | 6.75 | 167199 |
| | | | | | 11 | Yes | No | 7.19 | 1975 |
| | | | | | 11 | Yes | No | 7.88 | 1852 |
| | | | | | 11 | Yes | No | 8.88 | 1978 |
| SAE B | 2 Bolt 4 Bolt | 5.75 5.00 | 4.001 | 1/2-13 | 11 | Yes | No | 5.88 | 1853 |
| | | | | | 11 | Yes | No | 6.75 | 167299 |
| | | | | | 11 | Yes | No | 7.19 | 1979 |
| | | | | | 11 | Yes | No | 7.88 | 1854 |
| | | | | | 11 | Yes | No | 8.88 | 1980 |
| SAE C | 2 Bolt 4 Bolt | 7.12 6.38 | 5.001 | 5/8-11 1/2-13 | 11 | Yes | No | 5.88 | 1855 |
| | | | | | 11 | Yes | No | 6.75 | 167399 |
| | | | | | 11 | Yes | No | 7.19 | 1981 |
| | | | | | 11 | Yes | No | 7.88 | 1856 |
| | | | | | 11 | Yes | No | 8.88 | 1982 |
| SAE D | 2 Bolt 4 Bolt | 9.00 | 6.001 | 3/4-10 | 12 | Yes | No | 7.88 | 161699 |
| SAE B (45°) | 2 Bolt | 5.75 | 4.001 | 1/2-13 | 11 | Yes | No | 7.19 | 1857 |
| | | | | | 11 | Yes | No | 7.88 | 181499 |
| SAE C (45°) | 2 Bolt | 7.12 | 5.001 | 5/8-11 | 12 | Yes | No | 7.88 | 1858 |
| 4 Bolt Square Mounting Flanges | | | | | | | | | |
| 4HC | 4 Bolt | 8.48 | 3.751 | 5/8-11 | 12 | Yes | No | 8.00 | 1887 |
| Metric Series Pump Flanges | | | | | | | | | |
| 125mm | 2 Bolt 4 Bolt | 180mm 160mm | 125.02mm | 5/8-11 1/2-13 | 11 | Yes | No | 7.88 | 3858 |
| 140mm | 2 Bolt 4 Bolt | 200mm 180mm | 140.02mm | 5/8-11 | 12 | Yes | No | 7.88 | 148399' |
| *Non-stock special order item | | | | | | | | | |

Dimensions and specifications are subject to change without notice. Not all items are Made-To-Stock, contact us for availability.

04/15

Ph : 920-682-6877
Fx : 920-684-7210



sales@ldi-industries.com
www.ldi-industries.com