

# PUMP MOTOR ADAPTERS FOR ELECTRIC MOTORS

## 324 THRU 405TC/TSC & 324 THRU 405UC/USC

Pump Motor Adapters (Bell Housings) are designed to assure proper shaft alignment between the electric motor and your hydraulic pump. They also reduce assembly cost over using a foot mounting bracket or riser.

### Standard Features:

- Drive coupling access hole with safety orange removable cover
- Electric Motor mounting bolts provided
- Pump mounting orientation can be rotated in 90 degree increments by rotating the adapter on the electric motor

### Standard Material:

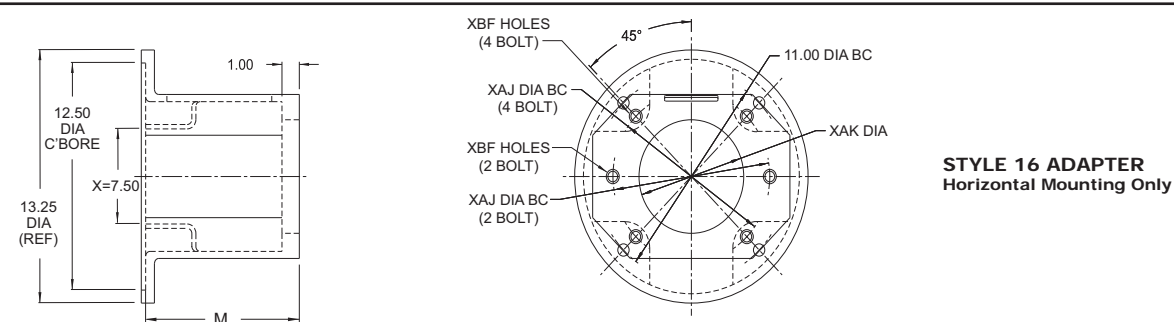
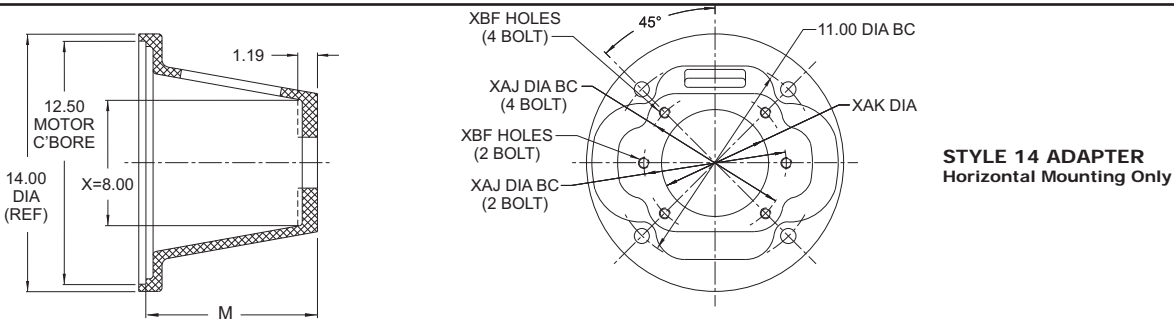
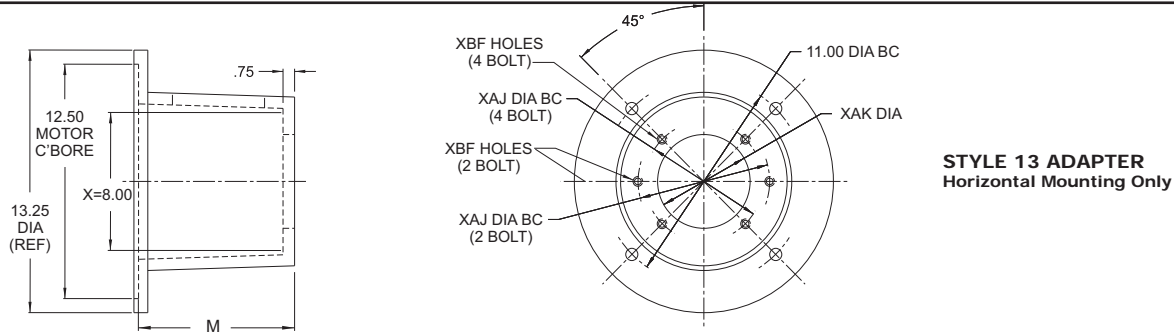
- Cast Aluminum

### NOTES:

- X = Permissible inside radial clearance
- All dimensions are inches

### WARNING:

- To avoid possible injury, access hole cover must be in place during operation



If your pump is not listed or is a non-standard pump, contact us for special machining and/or information. Not all pump mounting holes are supplied on every adapter.



Motor Size	324/326				364/365				404/405			
	TSC	TC	USC	UC	TSC	TC	USC	UC	TSC	TC	USC	UC
HP/1800 RPM	40/50	40/50	25/30	25/830	60/75	60/75	40/50	40/50	100/125	100/125	60/75	60/75
Shaft Diameter	1.88	2.12	6.25	1.88	1.88	2.38	1.88	2.125	2.12	2.88	2.12	2.38
Key Size	1/2	1/2	3/8	1/2	1/2	5/8	1/2	1/2	1/2	3/4	1/2	5/8
Shaft Length	3.50	5.00	3.00	5.38	3.50	5.62	3.50	6.125	4.00	7.00	4.00	6.88

Dimensions and specifications are subject to change without notice. Not all items are Made-To-Stock, contact us for availability.

11/15

Ph : 920-682-6877  
Fx : 920-684-7210



sales@ldi-industries.com  
www.ldi-industries.com

# PUMP MOTOR ADAPTERS FOR ELECTRIC MOTORS

## 324 THRU 405TC/TSC & 324 THRU 405UC/USC (CONT'D)

Pump Mounts - 324 thru 405TC/TSC and 324 thru 405UC/USC									
Pump Type	Flange	XAJ Bolt Circle	XAK Pump Pilot	XBF Mounting Holes	Adapter Style	Mounting		M Face to Face	Part No.
						Horizontal	Vertical		
<b>Standard SAE Pump Flanges</b>									
SAE B	2 Bolt 4 Bolt	5.75 5.00	4.001	1/2-13	13	Yes	No	6.30	<b>260199</b>
					14	Yes	No	7.68	<b>1974</b>
					14	Yes	No	8.88	<b>1969</b>
					13	Yes	No	9.88	<b>260599</b>
SAE C	2 Bolt 4 Bolt	7.12 6.38	5.001	5/8-11 1/2-13	13	Yes	No	6.30	<b>260399</b>
					14	Yes	No	7.68	<b>1984</b>
					13	Yes	No	8.38	<b>168799</b>
					14	Yes	No	8.88	<b>1983</b>
					13	Yes	No	9.88	<b>260799</b>
SAE D	2 Bolt	9.00	6.001	3/4-10	14	Yes	No	7.68	<b>1986</b>
					14	Yes	No	8.88	<b>1985</b>
SAE D	2 Bolt 4 Bolt	9.00	6.001	3/4-10	16	Yes	No	7.68	<b>3370</b>
					16	Yes	No	8.38	<b>234299</b>
					16	Yes	No	8.75	<b>1883</b>
					16	Yes	No	8.88	<b>3372</b>
					16	Yes	No	9.63	<b>235099</b>
<b>SAE 2 Bolt 45° Offset Mounting Flange</b>									
SAE B (45°)	2 Bolt	5.75	4.001	1/2-13	14	Yes	No	7.68	<b>2133</b>
					14	Yes	No	8.88	<b>2191</b>
SAE C (45°)	2 Bolt	7.12	5.001	5/8-11	14	Yes	No	7.68	<b>2119</b>
					14	Yes	No	8.88	<b>2120</b>
					13	Yes	No	9.88	<b>2121</b>
<b>4 Bolt Square Mounting Flanges</b>									
4HC	4 Bolt	8.48	3.751	5/8-11	14	Yes	No	7.68	<b>1999</b>
					14	Yes	No	8.88	<b>1949</b>

Dimensions and specifications are subject to change without notice. Not all items are Made-To-Stock, contact us for availability.

12/16

Ph : 920-682-6877  
Fx : 920-684-7210



sales@ldi-industries.com  
www.ldi-industries.com