

PUMP MOTOR ADAPTERS FOR ELECTRIC MOTORS

56C THRU 145TC & 182UC THRU 184UC

Pump Motor Adapters (Bell Housings) are designed to assure proper shaft alignment between the electric motor and your hydraulic pump. They also reduce assembly cost over using a foot mounting bracket or riser.

Standard Features:

- Drive coupling access hole with safety orange removable cover
- Electric Motor mounting bolts provided
- Pump mounting orientation can be rotated in 90 degree increments by rotating the adapter on the electric motor.
- Available for mounting your assembly horizontal and vertical with most adapter styles

Standard Material:

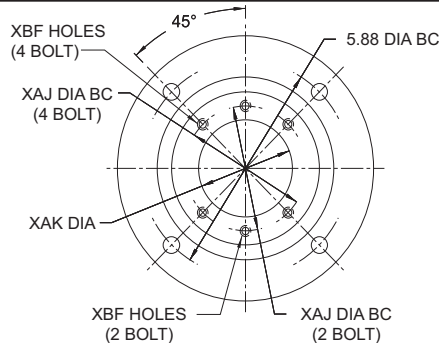
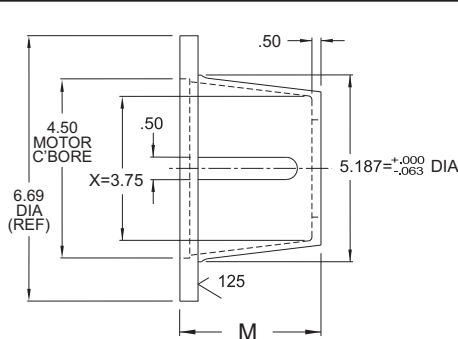
- Die and Cast Aluminum

NOTES:

- X = Permissible inside radial clearance
- All dimensions are inches

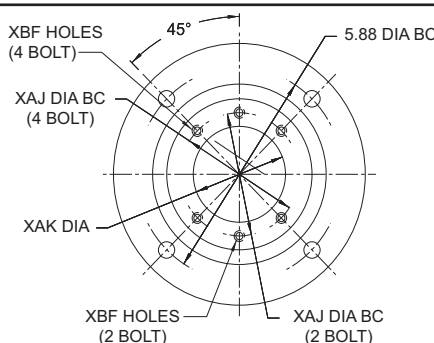
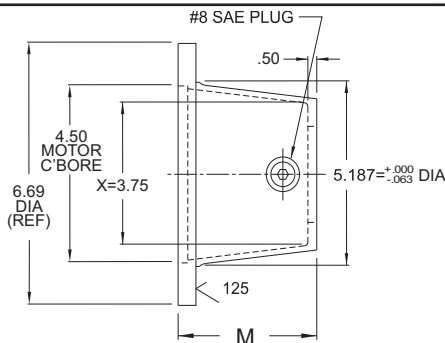
WARNING:

- To avoid possible injury, access hole cover must be in place during operation



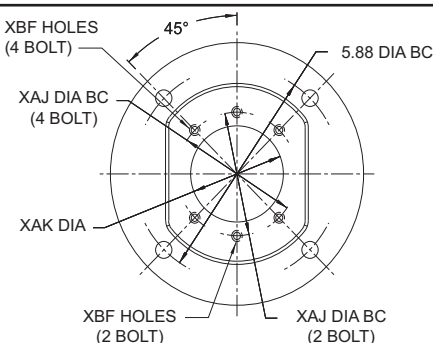
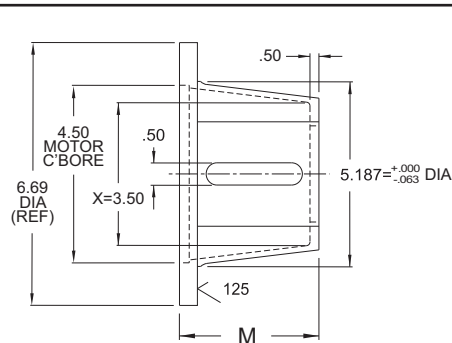
STYLE 1 ADAPTER
Horizontal/Vertical Mounting

Note: See page 99 for vertical mounting information & vertical mounting gasket



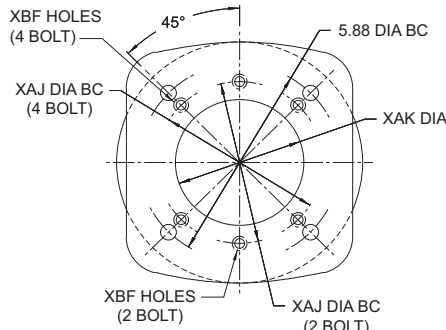
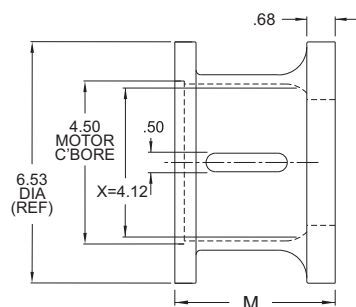
STYLE 1A ADAPTER
Horizontal/Vertical Mounting

Note: See page 99 for vertical mounting information & vertical mounting gasket



STYLE 1B ADAPTER
Horizontal/Vertical Mounting

Note: See page 99 for vertical mounting information & vertical mounting gasket



STYLE 3 ADAPTER
Horizontal Mounting Only

If your pump is not listed or is a non-standard pump, contact us for special machining and/or information. Not all pump mounting holes are supplied on every adapter. Dimensions and specifications are subject to change without notice. Not all items are Made-To-Stock, contact us for availability.

11/15

Ph : 920-682-6877
Fx : 920-684-7210



sales@ldi-industries.com
www.ldi-industries.com

PUMP MOTOR ADAPTERS FOR ELECTRIC MOTORS

56C THRU 145TC & 182UC THRU 184UC (CONT'D)

Motor Size	56C	143TC	145TC	182UC	184UC
HP/1800 RPM	1/4-1/2	1	2	1	1-1/2
Shaft Diameter	.62	.88	.88	.88	.88
Key Size	3/16	3/16	3/16	3/16	3/16
Shaft Length	2.06	2.12	2.12	2.12	2.12



Pump Mounts - 56C thru 145TC and 182UC thru 184UC									
Pump Type	Flange	XAJ Bolt Circle	XAK Pump Pilot	XBF Mounting Holes	Adapter Style	Mounting		M Face to Face	Part No.
						Horizontal	Vertical		
Standard SAE Pump Flanges									
USA 4F17	4 Bolt	2.84	1.781	5/16-18	1	Yes	Yes	3.53	170599
					1A	Yes	Yes	3.50	6094
					1B	Yes	Yes	3.81	152199
					1	Yes	Yes	4.25	6029
					1A	Yes	Yes	4.25	6070
					1B	Yes	Yes	4.50	150199
SAE AA	2 Bolt	3.25	2.001	3/8-16	1	Yes	Yes	3.53	170699
					1A	Yes	Yes	3.50	6093
					1B	Yes	Yes	3.81	152299
					1	Yes	Yes	4.25	6027
					1B	Yes	Yes	4.50	150299
					1	Yes	Yes	5.00	171499
SAE A	2 Bolt	4.19	3.251	3/8-16	1A	Yes	Yes	3.50	6091
					1A	Yes	Yes	4.25	6071
SAE A	2 Bolt	4.19	3.251	3/8-16	1	Yes	Yes	3.53	170799*
					1B	Yes	Yes	3.81	152399
					1	Yes	Yes	4.25	6028*
					1B	Yes	Yes	4.50	150499
					1	Yes	Yes	5.00	6042
					1B	Yes	Yes	5.25	150599
SAE B	2 Bolt 4 Bolt	5.75 5.00	4.001	1/2-13	3	Yes	No	4.25	149199
					3	Yes	No	5.00	149799
					3	Yes	No	5.56	6085
SAE C	4 Bolt	6.38	5.001	1/2-13	3	Yes	No	5.56	6074
3 Bolt Mounting Flange									
3H	3 Bolt	2.75	2.121	1/4-20	1	Yes	Yes	4.25	6062
6 Bolt Mounting Flange									
6HB	6 Bolt	3.25	2.626	3/8-16	1	Yes	Yes	4.25	1948
Double A Pumps (BSM)									
14-42-PFG	4 Bolt	Spl. Mtg.	1.249	15/64 Dia.	1	Yes	Yes	4.25	1937
Metric Series 4 Bolt Flange									
R4M	4 Bolt	63mm	50.02mm	.312 Dia.	1	Yes	Yes	4.25	6075
*Non-stock special order item									
*NOTE: Also contains additional SAE-A 4 bolt mounting suitable for mounting SAE-A 45°									

Dimensions and specifications are subject to change without notice. Not all items are Made-To-Stock, contact us for availability.

02/17

Ph : 920-682-6877
Fx : 920-684-7210



sales@ldi-industries.com
www.ldi-industries.com