

FILLER BREATHER

Filler Breather Weld Riser is designed to raise the filler breather mounting surface an additional one inch above the cover mounting surface of a reservoir.

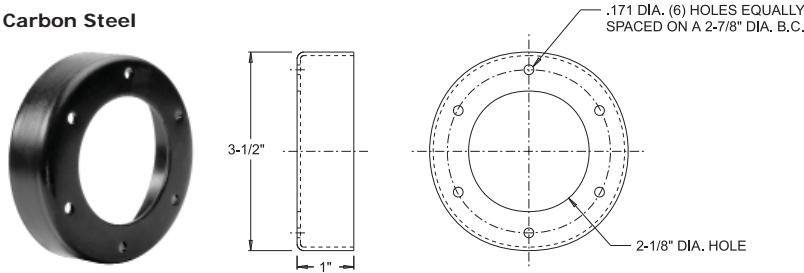
Standard Features:

- Eliminates the need to drill the 6 mounting holes
- Helps prevent contamination from entering the reservoir
- Designed to be welded in place

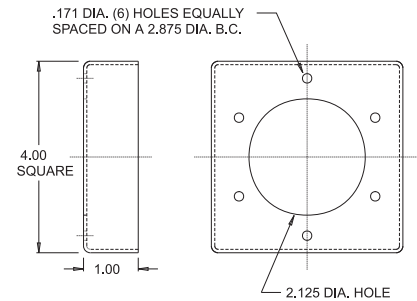
Standard Materials:

- Carbon steel
- Stainless Steel

Carbon Steel



Stainless Steel



Filler Breather		
Part No.	Style	Description
5275	Round	Filler Breather Weld Riser
5275SS	Square	Filter Breather Weld Riser 316 Stainless Steel

NOTE: All dimensions are inches

SUCTION FLANGE

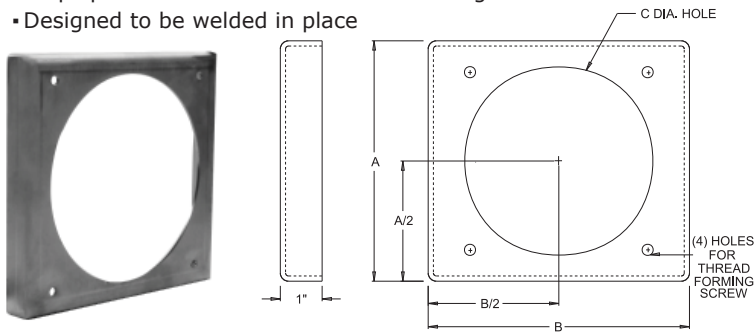
Suction Flange Weld Risers are designed to raise the suction flange mounting surface an additional one inch above the cover mounting surface of a reservoir.

Standard Features:

- Eliminates the need to drill the 4 mounting holes
- Helps prevent contamination from entering the reservoir
- Designed to be welded in place

Standard Material:

- Carbon steel



Suction Flange				
Part No.	A inches	B inches	C Dia. inches	Use with Pipe/Tube inches
5150	5.75	6.25	4.50	.50 to 2.00
5151	7.75	8.25	6.50	1.50 to 4.00

NOTE: All dimensions are inches

RETURN FLANGE

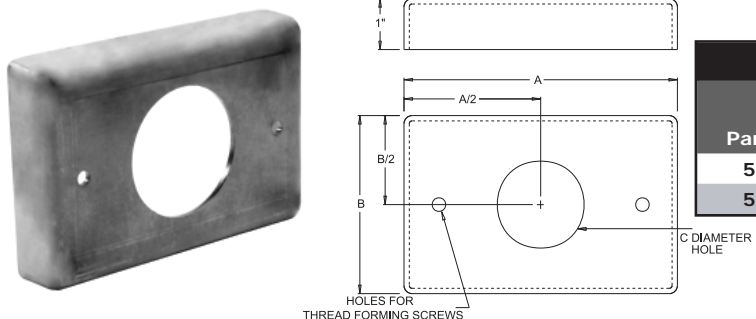
Return Flange Weld Riser is designed to raise the return flange mounting surface an additional one inch above the cover mounting surface of a reservoir.

Standard Features:

- Eliminates the need to drill the 2 mounting holes
- Helps prevent contamination from entering the reservoir
- Designed to be welded in place

Standard Material:

- Carbon steel



Return Flange					
Part No.	A inches	B inches	C Dia. inches	Use with Pipe inches	Use with Tube inches
5156	5.38	3.50	2.12	.50 to 1.50	.38 to 1.50
5157	5.38	4.00	2.56	2.00	2.00

NOTE: All dimensions are inches

Dimensions and specifications are subject to change without notice. Not all items are Made-To-Stock, contact us for availability.

02/14