

SIGHT GAGES - CLOSED CIRCUIT

G609 SERIES

The heavy duty G609 Series front mount closed circuit sight gages provide front viewing of the fluid level clearly delineated by a redline on white background integral to the glass sight all secured within an aluminum body. Installation is the similar to the G605 Series, but the robust construction of the G609 Series allows these gages to operate at higher working pressures.

Standard Features:

- Front mount
- Fluid level visible from front of gage (.62 inch wide)
- Viewing enhanced by redline on white background integral to sight glass
- Suitable for use with most hydraulic and machine lubricating oils

Standard Materials:

- Aluminum gage body and mounting bolts
- Buna N seals
- Borosilicate glass sight
- Zinc plated, steel hex nuts

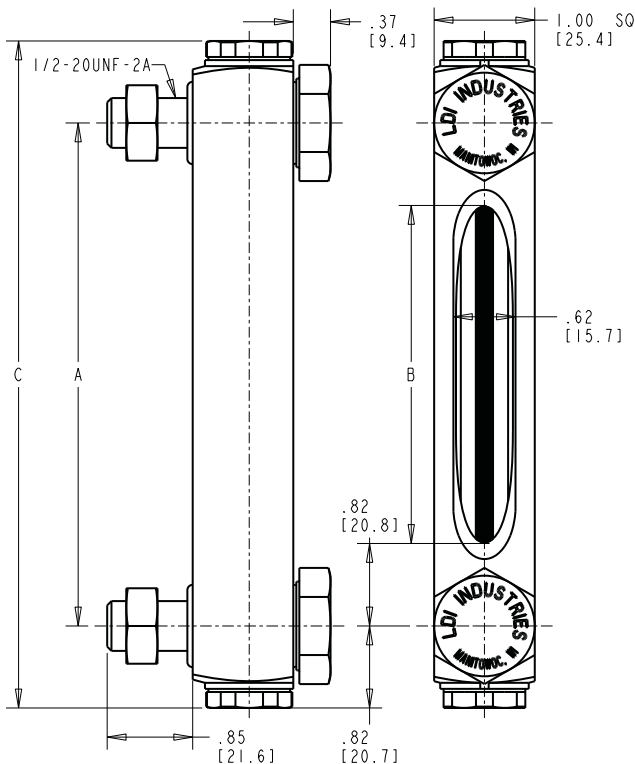
Temperature and Pressure Ratings:

- 600 psi (4137 kPa) maximum working pressure at 150°F (65°C) for centerline lengths from 5 to 12 inches (*Consult factory for pressure ratings on centerline lengths outside this range*)
- Please refer to Temperature Ratings by Seal Material for additional operating conditions (Appendix RA-5 on page RA-A5)

NOTE:

- Please refer to Appendix RA-2 on page RA-A2 for installation instructions

CAUTION: • Not recommended for use with water, steam, acidic fluids, caustic fluids and volatile fluids



NOTE: All dimensions are inches [mm]

ORDERING OPTIONS CODES:

BODY MATERIAL

- A- Aluminum gage body (standard)
- B- Brass gage body (optional)
- S- Steel gage body (optional)
- Y- Stainless Steel gage body (optional)

SEAL MATERIAL

- 1- Buna N seals (standard)
- 2- Butyl seals (optional)
- 3- Viton® seals (optional)
- 4- Ethylene propylene seals (optional)
- 10- Neoprene seals (optional)

HOW TO ORDER

EXAMPLE:

G609-05-A-1 — Buna N Seals
 — Aluminum gage body
 — 5.00 (127.00 mm) mounting centers
 — Series G609

| G609 Series | | | | |
|-------------|---------------------|---------------------|---------------------|--|
| Part No. | A inches (mm) | B inches (mm) | C inches (mm) | Max. Work. Pressure PSI (kPa) |
| G609-05-A-1 | 5.00 (127.00) | 3.36 (85.34) | 6.62 (168.15) | 600 (4137) |
| G609-12-A-1 | 12.00 (304.80) | 10.36 (263.14) | 13.62 (345.95) | 600 (4137) |



Dimensions and specifications are subject to change without notice. Not all items are Made-To-Stock, contact us for availability.

02/14

Ph : 920-682-6877
 Fx : 920-684-7210



sales@ldi-industries.com
 www.ldi-industries.com