

SIGHT GAGES - CLOSED CIRCUIT

G632 SERIES

The G632 Series back mount closed circuit sight gages provide 270° of viewing the fluid level clearly delineated by a redline on white background integral to the sight glass all secured within an aluminum body (HIGH-LOW markings). A wetted front facing dial thermometer provides an analog display of the fluid temperature. The oversized gage body allows a deeper recess of the sight glass and dial thermometer for maximum protection of these components against damage.

Standard Features:

- Back mount
- 270° of viewing the fluid level (.88 inch front and .50 inch side width windows)
- Viewing enhanced by redline on white background integral to sight glass
- 1.38 inch diameter dual scale dial thermometer, 50° to 300°F and 10° to 150°C
- Aluminum tube shields thermometer probe extending into reservoir
- Suitable for use with most hydraulic and machine lubricating oils

Standard Materials:

- Aluminum construction
- Buna N seals
- Borosilicate glass sight
- Zinc plated, steel hex nuts

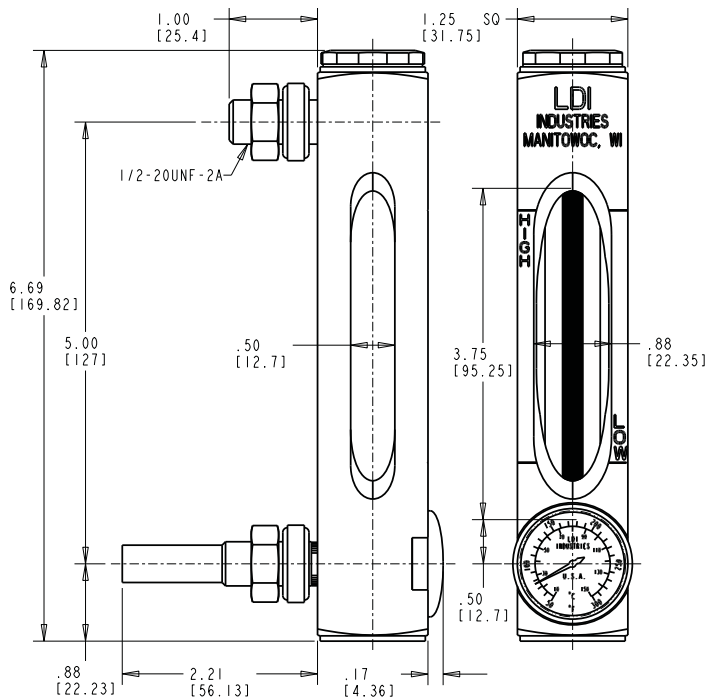
Temperature and Pressure Ratings:

- 125 psi (862 kPa) maximum working pressure at 150°F (65°C)
- Please refer to Temperature Ratings by Seal Material for additional operating conditions (Appendix RA-5 on page RA-A5)

NOTES:

- Access to inside of reservoir is required to mount this style sight gage
- Please refer to Appendix RA-3 on page RA-A3 for installation instructions

CAUTION: • Not recommended for use with water, steam, acidic fluids, caustic fluids and volatile fluids
• Reservoir must be drained to remove dial thermometer or loss of fluid will occur



NOTE: All dimensions are inches [mm]

ORDERING OPTIONS CODES:

BODY MATERIAL

-A- Aluminum gage body (standard)

SEAL MATERIAL

- 1- Buna N seals (standard)
- 2- Butyl seals (optional)
- 3- Viton® seals (optional)
- 4- Ethylene propylene seals (optional)
- 5- Silicone seals (optional)

HOW TO ORDER

EXAMPLE:

G632-05-A-1 — Buna N Seals
— Aluminum gage body
— 5.00 (127.00 mm) mounting centers
— Series G632



Dimensions and specifications are subject to change without notice. Not all items are Made-To-Stock, contact us for availability.

02/14

Ph : 920-682-6877
Fx : 920-684-7210



sales@ldi-industries.com
www.ldi-industries.com