

SIGHT GAGES - CLOSED CIRCUIT

GA603 SERIES

The GA603 Series front mount closed circuit sight gage is mounted securely with end blocks made from aluminum. These end blocks are connected with a clear, flexible tubular vinyl sight providing 360° viewing of the fluid level. The flexible vinyl sight bends easily to conform to irregular or cylindrical shaped reservoir bodies. Pipe adapters are provided with the gage for mounting directly to NPT couplings.

Standard Features:

- Front mount
- 360° of viewing fluid level
- Suitable for use with most hydraulic and machine lubricating oils

Standard Materials:

- Aluminum end blocks and mounting bolts
- Brass pipe adapters
- Vinyl tubular sight
- Buna N seals

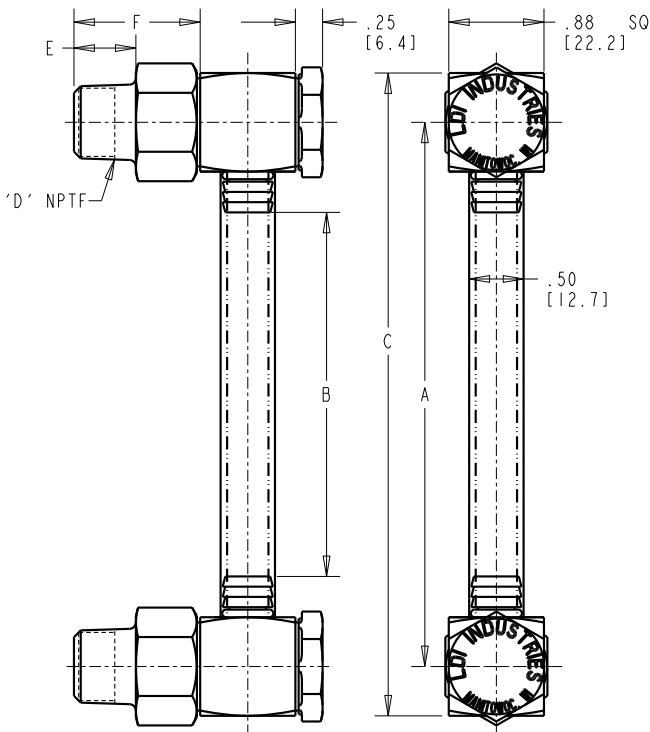
Temperature and Pressure Ratings:

- 150°F (65°C) maximum operating temperature
- 5 psi (35 kPa) maximum operating pressure
- Please refer to Temperature Ratings by Seal Material for additional operating conditions (Appendix RA-5 on page RA-A5)

NOTES:

- Please refer to Appendix RA-7 on page RA-A7 for installation instructions

CAUTION: • Not recommended for use with water, steam, acidic fluids, caustic fluids and volatile fluids



GA603 Series		
A	B	C
inches (mm)	inches (mm)	inches (mm)
3.00 (76.20)	1.34 (34.04)	3.91 (9.93)
4.00 (101.60)	2.34 (59.44)	4.91 (124.71)
5.00 (127.00)	3.34 (84.84)	5.91 (150.11)
6.00 (152.40)	4.34 (110.24)	6.91 (175.51)
7.00 (177.80)	5.34 (135.64)	7.91 (200.91)
8.00 (203.20)	6.34 (161.04)	8.91 (226.31)
9.00 (228.60)	7.34 (186.44)	9.91 (251.71)
10.00 (254.00)	8.34 (211.84)	10.91 (277.11)
11.00 (279.40)	9.34 (237.24)	11.91 (302.51)
12.00 (304.80)	10.34 (262.64)	12.91 (327.91)

Pipe Adapter		
D	E	F
NPTF	inches (mm)	inches (mm)
1/4-18	.57 (14.48)	1.22 (30.99)
3/8-18	.57 (14.48)	1.16 (29.46)
1/2-14	.76 (19.30)	1.16 (29.46)
3/4-14	.76 (19.30)	1.16 (29.46)

NOTE: All dimensions are inches [mm]

ORDERING OPTIONS CODES:

BODY MATERIAL

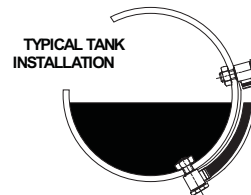
- A- Aluminum end blocks (standard)
- B- Brass end blocks (optional)

SEAL MATERIAL

- 1- Buna N seals (standard)
- 2- Butyl seals (optional)
- 3- Viton® seals (optional)
- 4- Ethylene propylene seals (optional)

PIPE SIZE

- 2- 1/4-18 male pipe thread
- 3- 3/8-18 male pipe thread
- 4- 1/2-14 male pipe thread
- 5- 3/4-14 male pipe thread



HOW TO ORDER

EXAMPLE:

GA603-05-A-1-3 — 3/8 inch NPTF
 Buna N Seals
 Aluminum end blocks
 5.00 (127.00 mm) mounting centers
 Series GA603



Dimensions and specifications are subject to change without notice. Not all items are Made-To-Stock, contact us for availability.

08/15

Ph : 920-682-6877
 Fx : 920-684-7210



sales@ldi-industries.com
 www.ldi-industries.com