

JIC TYPE RESERVOIRS

STYLE A

The Style A Series JIC type reservoirs are constructed with a welded top and clean-out access on each end. The reservoir design incorporates a lengthwise baffle positioned between opposing clean-out openings. Each reservoir is supplied with a sight gage, filler breather and access covers.

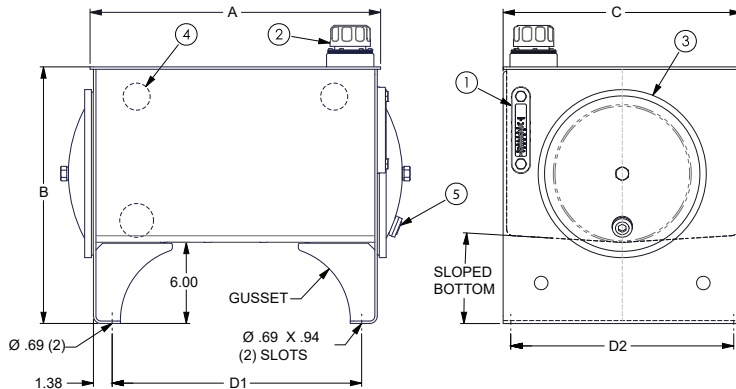
Standard Features:

- (1) 5 inch GT623 Series sight gage on capacities of less than 300 gallons; (1) 10 inch G1615 Series sight gage on 300 gallon capacities and above
- (1) Riser with filler breather
 - Bayonet style - 40 micron
- (2) Steel access covers with gaskets
- Baffle with cutouts for circulation
- 3/4 inch NPT drain with plug on (1) access cover
- Exterior of reservoir prime painted
- Interior of reservoir coated with rust preventative oil
- Materials:
 - Carbon steel reservoir
 - Buna N seals
 - Transparent molded nylon sight gage with black powder coated steel guard for GT623 Series sight gage
 - Aluminum body for G1615 Series sight gage
 - Zinc plated fill cap with nylon strainer basket

- NOTE**
- Drain plugs need to be sealed and tightened before use
 - Sight gage and filler breather shipped loose inside reservoir
 - Industry accepted design practice for hydraulic systems limits maximum operating temperature to 180° F (82° C), but materials used for fabrication of the reservoirs are capable of operating between -40° and 212° F (-40° and 100° C)

CAUTION:

• Reservoirs are not designed for internal positive or negative pressure applications. For these applications, consult the factory.



NOTE: All dimensions are inches

Tank Dimensions (inches)

Capacity (gal)	Part No.	A Length	B Height	C Width	Mounting Centers		Access Cover	Material Thickness		Piece Weight (lb)	Gusset Qty
					D1 ± .12	D2 ± .12		End	Top		
10	V10010	21.50	19.00	17.62	18.25	16.50	12.00	7 Ga	7 Ga	101	2
15	V10015	25.50	19.00	17.62	22.25	16.50	12.00	7 Ga	7 Ga	112	2
20	V10020	29.50	19.00	17.62	26.25	16.50	12.00	7 Ga	7 Ga	123	2
30	V10030	35.50	19.38	23.62	32.25	22.50	12.00	7 Ga	7 Ga	171	2
40	V10040	35.50	21.00	23.62	32.25	22.50	12.00	7 Ga	7 Ga	181	2
50	V10050	35.50	23.00	23.62	32.25	22.50	14.00	7 Ga	7 Ga	191	2
60	V10060	47.50	20.56	26.62	44.25	25.50	12.00	7 Ga	.25	262	2
80	V10080	60.00	21.50	27.00	56.25	25.50	14.00	7 Ga	.38	375	4
100	V100100	60.00	23.50	27.00	56.25	25.50	14.00	7 Ga	.38	380	4
120	V100120	60.00	27.00	30.00	56.25	28.50	16.00	.38	.38	539	4
150	V100150	60.00	31.00	30.00	56.25	28.50	16.00	.38	.38	587	4
200	V100200	72.00	29.38	36.00	68.25	34.50	18.00	.38	.38	827	4
300	V100300	72.00	38.50	36.00	68.25	34.50	18.00	.38	.38	980	4
400	V100400	72.00	38.50	48.00	68.25	46.50	18.00	.38	.50	1578	4
500	V100500	72.00	43.00	48.00	68.25	46.50	18.00	.38	.50	1733	4
600	V100600	96.00	43.00	48.00	92.25	46.50	18.00	.38	.50	1838	4
700	V100700	96.00	49.00	48.00	92.25	46.50	18.00	.38	.50	1996	4

Dimensions and specifications are subject to change without notice. Not all items are Made-To-Stock, contact us for availability.

01/19

Ph : 920-682-6877
Fx : 920-684-7210



sales@ldi-industries.com
www.ldi-industries.com