

# RESERVOIRS W/INTEGRATED SKIDS

## STYLE C, T-SHAPED

The Style C, T-Shaped Series provide users with a vertical reservoir straddled by platforms for mounting system components. The reservoir cover is hinged for convenient access to the inside of the reservoir. The reservoir and platforms are fully supported by and welded to a skid allowing for most system assembly to be completed remotely and then transported to another location for drop in installation.

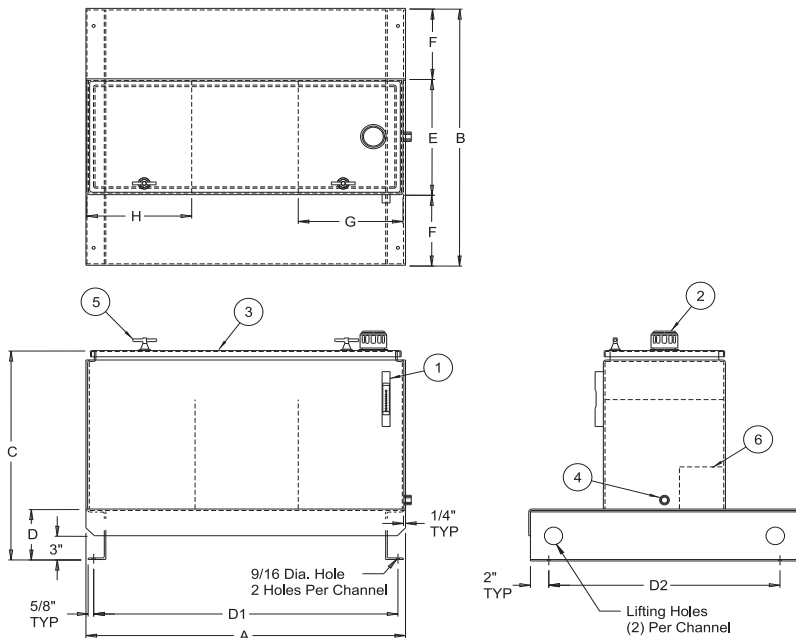
### Standard Features:

1. (1) 5 inch G1620 Series sight gage on capacities of less than 300 gallons; (1) 10 inch G1620 Series sight gage on 300 gallon capacities and above
2. (1) 5201 filler breather
  - Bayonet style - 40 micron
3. (1) Hinged Cover with gasket
4. (1) 3/4 inch NPT drain with plug
5. (2) T-handles
  - (3) for 200 & 300 gallon tanks
  - Baffle(s) with cutout for circulation
6. Reservoir covers are secured with multiple T-handle latches and supported by chain when opened
7. Exterior painted with a LDI gray primer
8. Interior coated with rust preventative oil
9. 100 gallon to 300 gallon include (1) door chain (not shown)
10. Materials
  - Carbon steel reservoir
  - Buna N seals
  - Aluminum sight gage
  - Zinc plated fill cap with nylon strainer basket

- NOTE**
- Drain plugs need to be sealed and tightened before use
  - Sight gage, filler breather and T-handles shipped loose inside reservoir
  - Industry accepted design practice for hydraulic systems limits maximum operating temperature to 180° F (82° C), but materials used for fabrication of the reservoirs are capable of operating between -40° and 250° F (-40° and 121° C)

### CAUTION:

- Reservoirs are not designed for internal positive or negative pressure applications. For these applications, consult the factory.



**NOTE:** All dimensions are inches

Tank Dimensions (inches)												
Capacity (gal)	Part No.	A	B	C	D	E	F	G	H	Mounting Centers		Shipping Weight (lbs)
										D1 ± .12	D2 ± .12	
20	VLT-20	30.00	40.62	25.88	6.19	13.50	13.56	12.00	N/A	28.25	36.25	220
60	VLT-60	48.00	58.00	35.88	6.19	16.75	20.62	16.00	N/A	46.25	53.62	455
100	VLT-100	60.00	66.12	39.06	6.38	19.38	23.38	16.00	N/A	58.25	61.38	944
120	VLT-120	72.00	68.12	39.06	6.38	19.38	24.38	16.00	16.00	70.25	63.38	1130
150	VLT-150	71.88	76.12	39.06	6.38	25.38	25.38	16.00	N/A	70.25	71.38	1228
200	VLT-200	84.00	78.12	42.06	6.38	25.38	26.38	16.00	16.00	82.25	73.38	1470
300	VLT-300	83.88	77.75	54.19	6.50	25.38	26.19	16.00	16.00	82.25	73.25	1839

Dimensions and specifications are subject to change without notice. Not all items are Made-To-Stock, contact us for availability.

05/14

Ph : 920-682-6877  
Fx : 920-684-7210



sales@ldi-industries.com  
www.ldi-industries.com