

RESERVOIRS W/INTEGRATED SKIDS

STYLE F, L-SHAPED

The Style F, L-Shaped Series provide users with a vertical reservoir and an adjacent platform for mounting system components. The reservoir cover is partially hinged for convenient access to the inside of the reservoir, but also has a welded section designed for mounting accessories directly to the top of the reservoir. The reservoir and platform are fully supported by and welded to a skid allowing for most system assembly to be completed remotely and then transported to another location for drop-in installation.

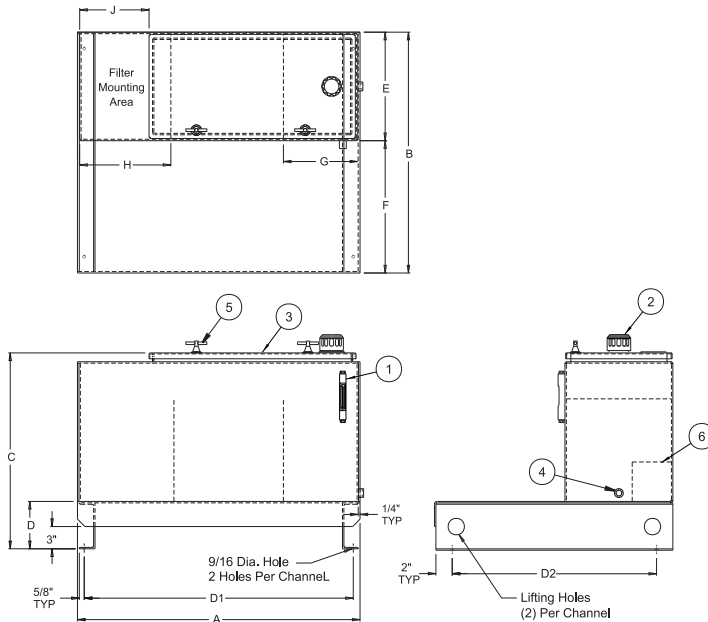
Standard Features:

1. ((1) 5 inch G1620 Series sight gage on capacities of less than 300 gallons; (1) 10 inch G1620 Series sight gage on 300 gallon capacities and above
2. (1) 5201 filler breather
 - Bayonet style - 40 micron
3. (1) Hinged cover with gasket
4. (1) 3/4 inch NPT drain with plug
5. (2) T-handles
 - (3) for 200 gallon and up
6. Baffle(s) with cutout for circulation
7. Reservoir covers are secured with multiple T-handle latches and supported by chain when opened
8. Exterior painted with a LDI gray primer
9. Interior coated with rust preventative oil
10. 100 gallon to 600 gallon include (1) door chain (not shown)
11. Materials
 - Carbon steel reservoir
 - Buna N seals
 - Aluminum sight gage
 - Zinc plated fill cap with nylon strainer basket

- NOTE**
- Drain plugs need to be sealed and tightened before use
 - Sight gage, filler breather and T-handles shipped loose inside reservoir
 - Industry accepted design practice for hydraulic systems limits maximum operating temperature to 180° F (82° C), but materials used for fabrication of the reservoirs are capable of operating between -40° and 250° F (-40° and 121° C)

CAUTION:

- Reservoirs are not designed for internal positive or negative pressure applications. For these applications, consult the factory.



NOTE: All dimensions are inches [mm]

Tank Dimensions (inches)

Capacity (gal)	Part No.	A	B	C	D	E	F	G	H	WELDED TOP J	Mounting Centers		Piece Weight (lbs)
											D1 ± .12	D2 ± .12	
80	V25880	59.88	38.38	36.06	6.38	13.38	25.00	16.00	16.00	12.00	58.25	34.00	574
100	V258100	59.88	42.56	36.06	6.38	16.38	26.00	16.00	16.00	12.00	58.25	38.00	720
120	V258120	72.00	42.56	36.06	6.38	16.38	26.00	16.00	16.00	12.00	70.25	38.00	847
150	V258150	72.00	50.56	39.06	6.38	18.38	32.00	16.00	16.00	12.00	70.25	46.00	945
200	V258200	84.00	51.56	42.06	6.38	18.38	33.00	16.00	24.00	16.00	82.25	47.00	1136
300	V258300	84.00	60.00	54.19	6.50	25.38	34.44	16.00	24.00	16.00	82.25	55.50	1409
400	V258400	84.00	60.00	54.19	6.50	28.38	31.44	16.00	24.00	16.00	82.25	55.50	1618
500	V258500	84.00	60.00	60.19	6.50	32.38	27.44	18.00	24.00	18.00	82.25	55.50	1793
600	V258600	90.00	62.00	66.19	6.50	30.38	31.44	22.00	30.00	20.00	88.25	57.50	1849

Dimensions and specifications are subject to change without notice. Not all items are Made-To-Stock, contact us for availability.

05/14

Ph : 920-682-6877
Fx : 920-684-7210



sales@ldi-industries.com
www.ldi-industries.com