

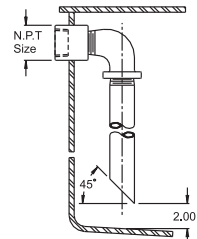
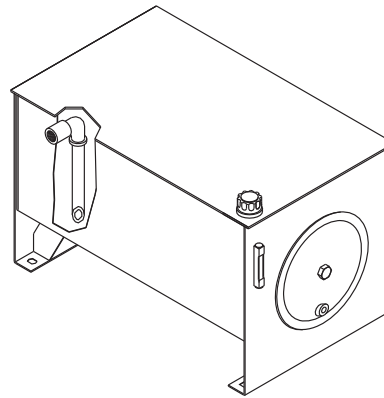
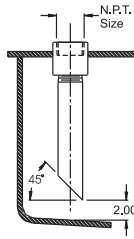
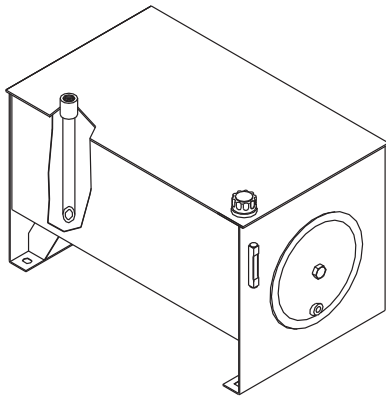
INSTALLED COUPLINGS & RETURN LINES

BASIC TOP MOUNT & BASIC SIDE MOUNT

Have LDI install your couplings and return lines. These are our typical combinations. We can install whatever your application requires.

Benefits:

- Customer specified locations
- Customer specified sizes
- No cutting of holes to install couplings
- Low cost
- Rapid assembly of power unit



Return Lines Available with Schedule 40 Pipe									
Reservoir Size (gal)	1/2 inch	3/4 inch	1 inch	1 1/4 inch	1 1/2 inch	2 inch	2 1/2 inch	3 inch	
	NPT	NPT	NPT	NPT	NPT	NPT	NPT	NPT	NPT
	#8 SAE	#10 SAE	#12 SAE	#14 SAE	#16 SAE	#20 SAE	#24 SAE	#32 SAE	
10 to 20	•	•	•						
30 to 40	•	•	•	•					
50 to 60	•	•	•	•	•				
80 to 100		•	•	•	•	•			
120 to 150			•	•	•	•	•		
200 and up			•	•	•	•	•	•	

Dimensions and specifications are subject to change without notice. Not all items are Made-To-Stock, contact us for availability.

02/15

Ph : 920-682-6877
Fx : 920-684-7210



sales@ldi-industries.com
www.ldi-industries.com