

# LDI PORT FITTINGS

## MAC2000 SERIES

The MAC2000 Series adapter is a 90° elbow consisting of a male 37° JIC tube connection per SAE J514 on one leg with a male LDI Port stem swivel connection on the other leg of the adapter. The swivel connection allows the orientation of the male 37° connection to be fixed while the swivel nut on the LDI Port stem is tightened.

### Standard Features:

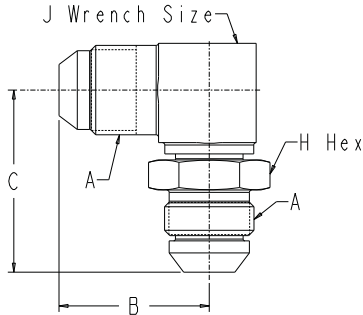
- Tube sizes from -4 (.25 inch) to -32 (2.00 inch)
- Copper brazed construction
- Hardened port stem

### Standard Materials:

- Steel construction
- Black oxide finish

### CAUTION

- System operating conditions and maximum pressures dictate tubing requirements



**MAC2000 Series (inches)**

Part No.	Tube OD	A	B	C	J	H
MAC2000-4	1/4	7/16-20	0.89	1.16	7/16	9/16
MAC2000-6	3/8	9/16-18	1.06	1.36	9/16	11/16
MAC2000-8	1/2	3/4-16	1.25	1.52	3/4	7/8
MAC2000-10	5/8	7/8-14	1.45	1.64	7/8	1
MAC2000-12	3/4	1 1/16-12	1.66	1.91	1 1/8	1 1/4
MAC2000-14	7/8	1 3/16-12	1.72	2.00	1 1/4	1 3/8
MAC2000-16	1	1 5/16-12	1.81	2.16	1 3/8	1 1/2
MAC2000-20	1 1/4	1 5/8-12	2.06	2.50	1 3/4	1 3/4
MAC2000-24	1 1/2	1 7/8-12	2.33	2.73	2	2
MAC2000-32	2	2 1/2-12	3.06	3.33	2 1/2	2 3/4

Dimensions and specifications are subject to change without notice. Not all items are Made-To-Stock, contact us for availability.

02/14

Ph : 920-682-6877  
Fx : 920-684-7210



sales@ldi-industries.com  
www.ldi-industries.com