

LIQUID LEVEL GAGE - FRONT MOUNT, FLEXIBLE, CLEAR

Economical, versatile and durably constructed. Available in mounting lengths to 600 inches (15240mm). Practical where oil level readings are necessary on cylindrical or irregular shaped reservoirs. Diesel fuel compatible sight is available, please specify. Minimum order may be required.

STANDARD MATERIALS:

- Aluminum end blocks and mounting bolts
- Flexible vinyl sight offers 360° viewing
- Buna N seals

OPERATING CONDITIONS:

- 150°F (65.6°C) maximum working temperature up to 5 PSI (34.5 kPa).

HOW TO ORDER:

WHEN ORDERING, SPECIFY THE FOLLOWING, AFTER THE SERIES NUMBER SEPARATING EACH WITH A DASH (-):

BODY MATERIAL

- A- Aluminum body (standard)
- B- Brass body (optional)

SEAL MATERIAL

- 1- Buna N seals (standard)
- 2- Butyl seals (optional)
- 3- Viton A® seals (optional)
- 4- Ethylene propylene seals (optional)

PIPE SIZE - GA603, GAT603 ONLY

- 2- 1/4-18 male pipe thread
- 3- 3/8-18 male pipe thread
- 4- 1/2-14 male pipe thread
- 5- 3/4-14 male pipe thread

STANDARD DUAL SCALE - GT, GAT ONLY

- F- Fahrenheit scale (50° to 300°)
- C- Centigrade scale (10° to 150°)

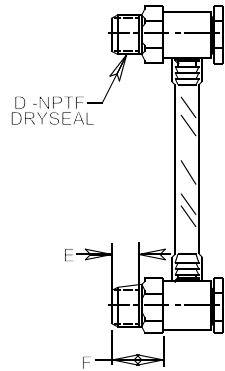
EXAMPLE:

GA603-06-A-1-3 — 3/8" NPTF
 |
 | Buna N seals
 | Aluminum body
 | 6.00 (152.40mm) centers
 | Series GA603

A,B,C, DIMENSIONS ARE COMMON TO ALL SERIES GAGES

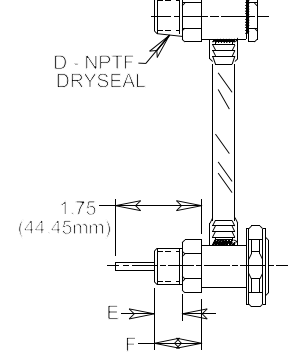
SERIES NUMBER	A- CENTERS INCHES (mm)	B - SIGHT INCHES (mm)	C - LENGTH INCHES (mm)
GAGE SERIES # HERE AS PER ORDERING INSTRUCTIONS	03 (76.20)	1.38 (35.05)	3.94 (100.08)
	04 (101.60)	2.38 (60.45)	4.94 (125.48)
	05 (127.00)	3.38 (85.85)	5.94 (150.88)
	06 (152.40)	4.38 (111.25)	6.94 (176.28)
	07 (177.80)	5.38 (136.65)	7.94 (201.68)
	08 (203.20)	6.38 (162.05)	8.94 (227.08)
	09 (228.60)	7.38 (187.45)	9.94 (252.58)
	10 (254.00)	8.38 (212.85)	10.94 (277.88)
	11 (279.40)	9.38 (238.25)	11.94 (303.28)
	12 (304.80)	10.38 (263.65)	12.94 (328.68)

SERIES GA603 BRASS ADAPTERS STD.



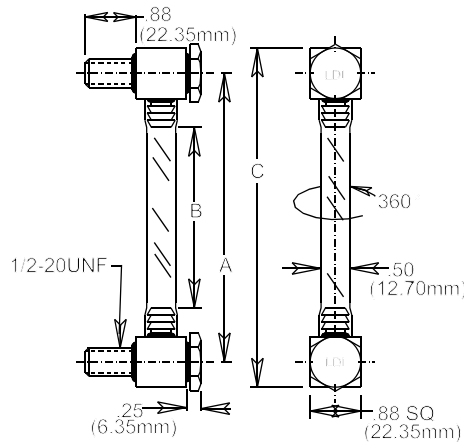
FRONT MOUNT WITH PIPE ADAPTERS - SPECIFY PIPE SIZE

SERIES GAT603 BRASS ADAPTERS STD.



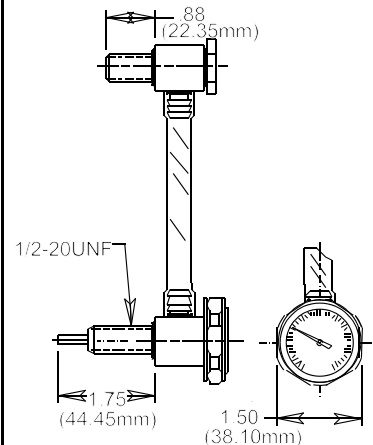
FRONT MOUNT WITH DIAL THERMOMETER AND PIPE ADAPTERS - SPECIFY PIPE SIZE

SERIES G603

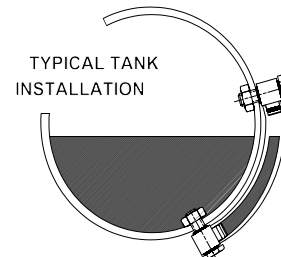


STANDARD FRONT MOUNT GAGE

SERIES GT603



FRONT MOUNT WITH DIAL THERMOMETER - DUAL SCALE



D NPTF	E INCHES (mm)	F INCHES (mm)
1/4-18	.56 (14.22)	1.19 (30.23)
3/8-18	.56 (14.22)	1.12 (28.45)
1/2-14	.75 (19.05)	1.12 (28.45)
3/4-14		



Lube Devices • Flodar • Hydra-Tool • Vescor
 1864 Nagle Ave. P. O. Box 1810
 Manitowoc, WI 54221-1810
 Phone: (920) 682-6877 Fax: (920) 684-7210
 E-MAIL: sales@ldi-industries.com WEBSITE: www.ldi-industries.com

LIQUID LEVEL GAGE - FRONT MOUNT
 FLEXIBLE, CLEAR
 8/06 BULLETIN F327-3
 ISO9001:2000 CERTIFIED