

LIQUID LEVEL GAGE - BACK MOUNT, DUAL SCALE THERMOMETER

LUBE DEVICES' series G642 heavy duty, dual purpose closed circuit liquid level gages provide fluid level and temperature reading at a glance. Furnished as standard with a large recessed 2.00 (50.80mm) dia. dual scale dial probe thermometer for allowing easy viewing in elevated or inaccessible locations that must be viewed from a distance. Design includes a well protecting the sensing probe. Exclusive triple sight exposure offers wide angle viewing of fluid level. Maximum sight protection is provided by the precision machined bar stock body.

STANDARD MATERIALS:

- Aluminum construction
- Buna N seals
- Borosilicate glass with redline on white background for distinct level reading and maximum fluid compatibility

OPERATING CONDITIONS:

- Maximum working pressure up to 125 PSI (861.9 kPa) at 150°F (65.6°C), no corrosion.

G642 PROTECTED SIGHT 270° SIGHT VIEWING

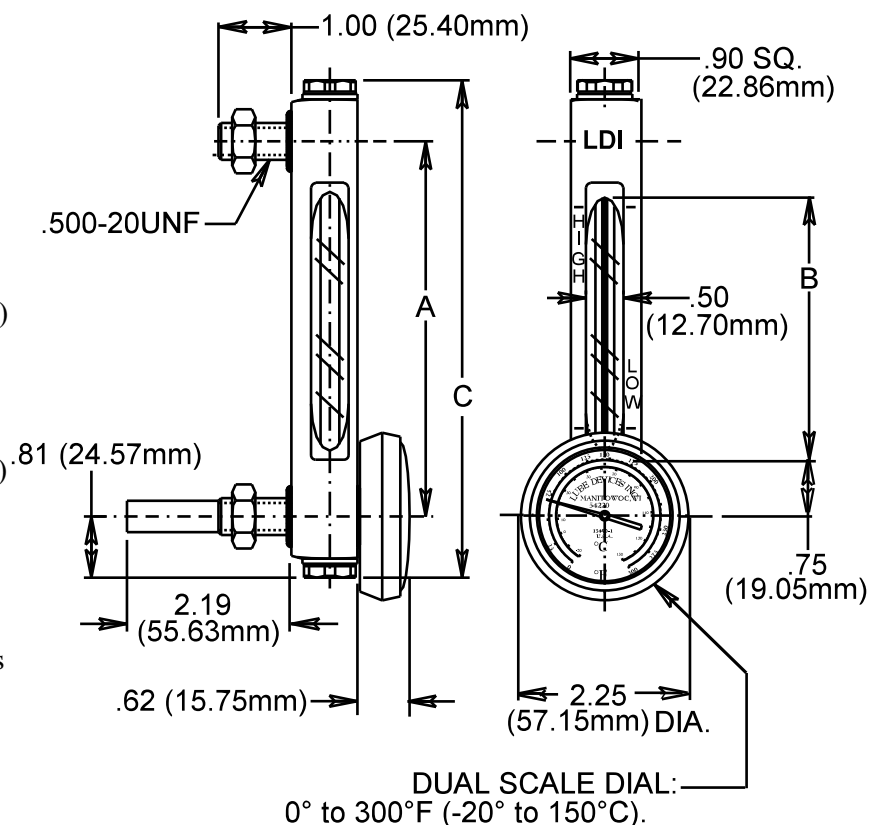
HOW TO ORDER:

WHEN ORDERING, SPECIFY THE FOLLOWING AFTER THE SERIES NUMBER, SEPARATING EACH WITH A DASH (-):

- A- Aluminum gage body (standard)
- B- Brass gage body (optional)
- S- Steel gage body (optional)
- Y- Stainless steel gage body (optional)
- 1- Buna N seals (standard)
- 2- Butyl seals (optional)
- 3- Viton A® seals (optional)
- 4- Ethylene propylene seals (optional)
- 5- Silicone seals (optional)

EXAMPLE:

G642-05-A-1— Buna N seals
 — Aluminum gage body
 — 5.00 (127.00mm) centers
 — Series G642



SERIES NUMBER	A - CENTERS INCHES (mm)	B - SIGHT INCHES (mm)	C - LENGTH INCHES (mm)
G642	05 (127.00)	3.50 (88.90)	6.62 (168.15)

**MODIFICATIONS AVAILABLE MADE TO ORDER - CONSULT OUR FACTORY
(MINIMUM ORDER MAY BE REQUIRED)**



Lube Devices • Flodar • Hydra-Tool • Vescor
 1864 Nagle Ave. P. O. Box 1810
 Manitowoc, WI 54221-1810
 Phone: (920) 682-6877 Fax: (920) 684-7210
 E-MAIL: sales@ldi-industries.com WEBSITE: www.ldi-industries.com

LIQUID LEVEL GAGE-BACK MOUNT,
 DUAL SCALE THERMOMETER
 3/05 **BULLETIN F327-42**
 ISO9001:2000 CERTIFIED