

# REPLACEMENT BRUSHES - FLAT, FLAT W/HOLDER, ROUND, ROTARY

THESE LDI INDUSTRIES' BRUSHES ARE DIRECT REPLACEMENTS FOR SHANK OR VALVE BRUSHES AND MANUAL OR ELECTRIC CHAIN OILER BRUSHES. These three styles meet any lubrication requirement. The round brush is an all-in-one brush and holder unit. The flat brush is available as a flat strip only or complete with brush and holder. Brushes are interchangeable, but if the style is changed from round to flat for instance, the flat brush with holder should be ordered, since the holder is an integral part of the brush.

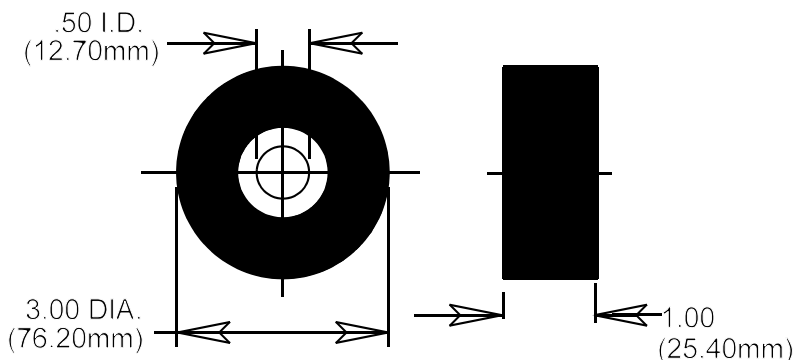
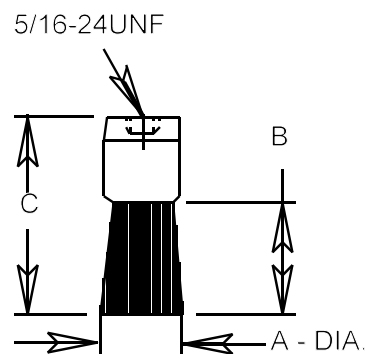
## STANDARD MATERIALS:

- Long wearing nylon bristles

## OPERATING CONDITIONS:

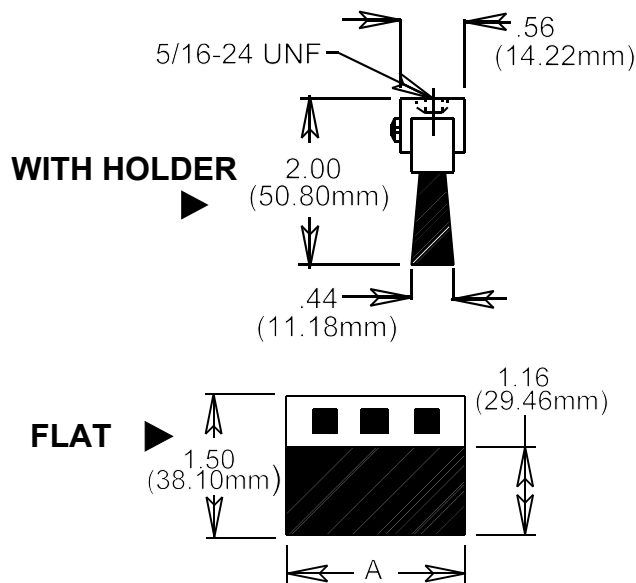
- Nylon maximum working temperature up to 250°F (121.1°C)
- For temperatures over 250°F (121.1°C), please specify stainless steel.

ROUND				
CATALOG NUMBER	BRUSH MATERIAL	A INCHES (mm)	B INCHES (mm)	C INCHES (mm)
B102-2	NYLON	.62 (15.75)	1.00 (25.40)	1.94 (49.28)
B103-2	NYLON	1.00 (25.40)	1.62 (41.15)	2.62 (66.55)
B103-3	ST. STEEL			



ROTARY	
CATALOG NUMBER	BRUSH MATERIAL
B161-2	NYLON

FLAT AND WITH HOLDER			
CATALOG NUMBER BRUSH	CATALOG NUMBER W/ HOLDER	BRUSH MATERIAL	A INCHES (mm)
B151-2	-	NYLON	.50 (12.70)
B153-2	B123-2	NYLON	1.00 (25.40)
B154-2	B124-2	NYLON	1.50 (38.10)
B155-2	B125-2	NYLON	2.25 (57.15)
B155-3	B125-3	ST. STEEL	



REPLACEMENT BRUSHES - FLAT,  
FLAT W/ HOLDER, ROUND, ROTARY  
8/06 **BULLETIN F517-1**  
ISO9001:2000 CERTIFIED



Lube Devices • Flodar • Hydra-Tool • Vecor  
1864 Nagle Ave. P. O. Box 1810  
Manitowoc, WI 54221-1810  
Phone: (920) 682-6877 Fax: (920) 684-7210  
E-MAIL: sales@ldi-industries.com WEBSITE: www.ldi-industries.com