

# VALVE BRUSHES - FLAT STRIP, STRAIGHT & 45°

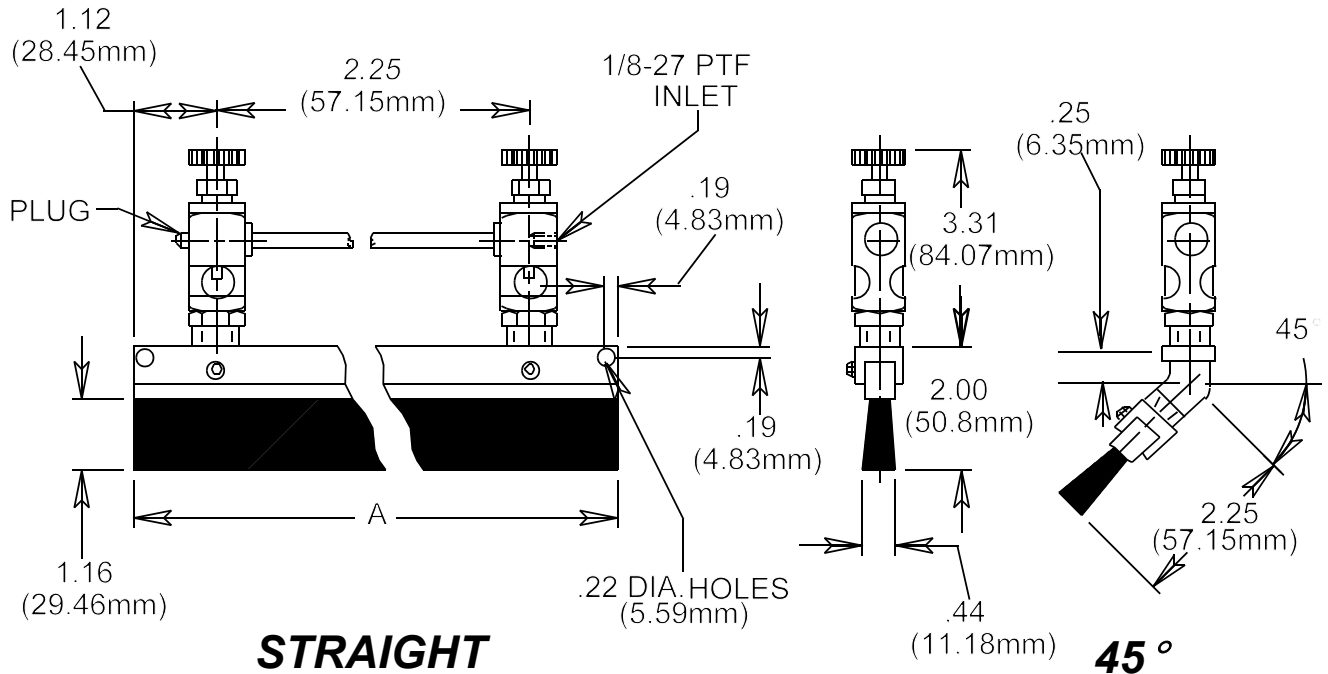
LDI INDUSTRIES' valve strip brushes are available in 2.25 (57.15mm) increments, and provide precision control of lubricant to drive chains, strip stock, gears, conveyors, etc. Valves allow accurate feed control with drip rate readily visible through sight window. Brush holder provides (2) .22 dia. (5.59mm) holes for easy mounting.

## STANDARD MATERIALS:

- Long wearing nylon bristles

## OPERATING CONDITIONS:

- Nylon maximum working temperature up to 250°F (121.1°C)



**STRAIGHT**

**45°**

STRAIGHT STRIP BRUSH			
CATALOG NUMBER	BRUSH MATERIAL	A INCHES (mm)	FEEDS
NVB201-2	NYLON	2.25 (57.15)	1
NVB202-2	NYLON	4.50 (114.30)	2

45° STRIP BRUSH			
CATALOG NUMBER	BRUSH MATERIAL	A INCHES (mm)	FEEDS
NVB251-2	NYLON	2.25 (57.15)	1
NVB252-2	NYLON	4.50 (114.30)	2

**MODIFICATIONS AVAILABLE MADE TO ORDER - CONSULT OUR FACTORY.  
(MINIMUM ORDER MAY BE REQUIRED)**



Lube Devices • Flodar • Hydra-Tool • Vescor  
1864 Nagle Ave. P. O. Box 1810  
Manitowoc, WI 54221-1810  
Phone: (920) 682-6877 Fax: (920) 684-7210  
E-MAIL: sales@ldi-industries.com WEBSITE: www.ldi-industries.com

VALVE BRUSHES - FLAT STRIP,  
STRAIGHT & 45°

8/06 **BULLETIN F657-4**  
**ISO9001:2000 CERTIFIED**