

# LIQUID INLINE FILTERS – DRAIN PLUG

Use in liquid lines where dirt or particles could cause clogging, such as oil going to a spray valve. Inline Cap can be taken off to clean filter without dismantling unit from the line.

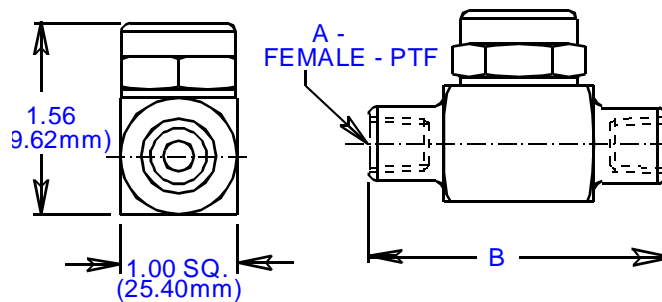
## STANDARD MATERIALS:

- Brass construction
- Buna N seals
- 40 micron filter

CATALOG NUMBER	A-PTF	B INCHES (MM)
LF201-02	1/4-18	2.38 (60.45)
LF201-03	3/8-18	2.62 (66.55)

## OPERATING CONDITIONS:

- Maximum working pressure up to 150 PSI (1034 kPa)
- Maximum temperature up to 175 degree F (79.4 C)

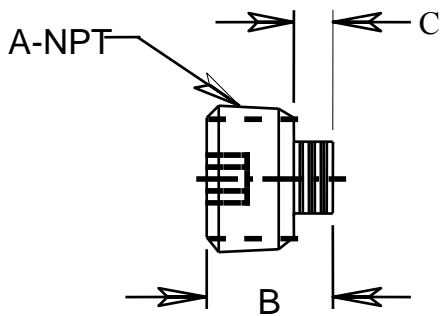


## MAGNETIC DRAIN PLUG

Use as drain plug at lowest location in sump. Magnet will attract and hold magnetic particles that may be in fluid line.

## STANDARD MATERIALS:

- Steel construction



CATALOG NUMBER	A-NPT	B INCHES (mm)	C INCHES (mm)
MDP101	1/8	.43 (10.92)	.12 (3.05)
MDP102	1/4	.69 (17.53)	.28 (7.11)
MDP103	3/8	.69 (17.53)	.31 (7.87)
MDP104	1/2	.81 (20.57)	.20 (5.08)
MDP105	3/4	.75 (19.05)	.22 (5.59)
MDP106	1	.75 (19.05)	.18 (4.57)

**MODIFICATIONS AVAILABLE - MADE TO ORDER - CONSULT OUR FACTORY (MINIMUM ORDER MAY BE REQUIRED)**



Lube Devices • Flodar • Hydra-Tool • Vescor  
 1864 Nagle Ave. P. O. Box 1810  
 Manitowoc, WI 54221-1810  
 Phone: (920) 682-6877 Fax: (920) 684-7210  
 E-MAIL: sales@ldi-industries.com WEBSITE: www.ldi-industries.com

LIQUID INLINE FILTERS/  
 DRAIN PLUG  
 1/10 **BULLETIN #1297-3**  
 ISO9001:2008 CERTIFIED