

PRECISION METERING PUMP-MOTOR OPERATED

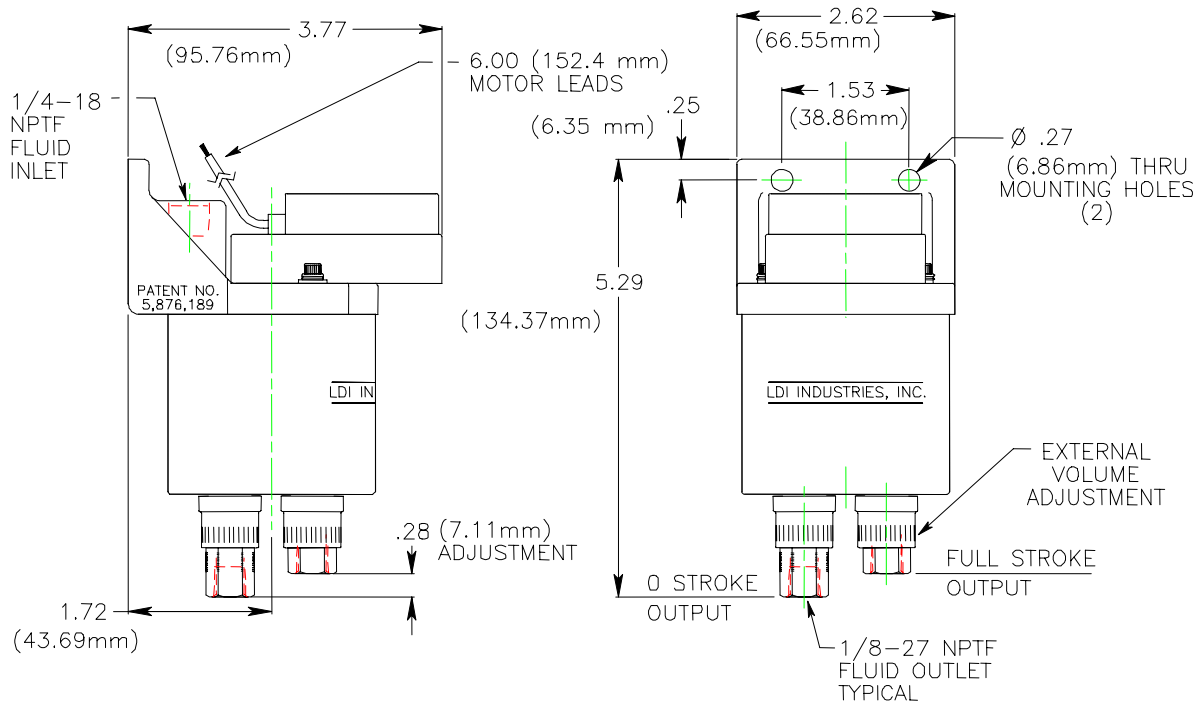
LDI Industries' motor operated metering pumps are unique in that each outlet/feed is an individual positive displacement pump. These pumps are ideal for dispensing precise easily adjustable volumes of a variety of fluids including: oils or grease for lubrication, inks, dyes, chemical additives and cutting fluids. The factory should be consulted before using with high water base fluids. The motor operated metering pumps are positive displacement, self priming with up to 27 InHg (686mmHg) and will operate in any position. They are available in 1 to 4 pumps with each pump independently and externally adjustable from 0 to .012 cu. in. (0 to .197 cu. cm.) by a micrometer thread .025 (.572mm) pitch. Each pump will actuate once per minute of motor run time. The motor operated metering pumps are intended for lower output pressure applications or where a compressed air supply is not available. **LDI Industries' R100** series filtered reservoirs (Bulletin F357-7) are ideal for oil applications. Grease applications should use **LDI Industries' GCA100** or **GCA200 Grease Cartridge Adapters** (Bulletin F1867-1) or **GR75** or **GR168 Grease Reservoirs** (Bulletin F1867-2).

STANDARD MATERIALS:

- Aluminum, Brass, Steel
- Buna N & Viton seals

OPERATING CONDITIONS:

- Maximum working temperature up to 120°F (48.9°C)
Minimum working temperature 0°F (-17.7°C) oil
Minimum working temperature 32°F (0°C), grease
- Maximum output pressure up to 50 PSIG (345 kPa)
- 120V, 60Hz, 4 W



- **PATENT NUMBER 5,876,189**

HOW TO ORDER:

After **PMP200** catalog number, specify number of feeds required, separated by a dash (-).

Specify 1 through 4 feeds -01/-04

EXAMPLE: PMP200-04 — 4 FEED (shown)

PRECISION METERING PUMP
MOTOR OPERATED

5/07 **BULLETIN F1837-2**
ISO9001:2000 CERTIFIED



Lube Devices • Flodar • Hydra-Tool • Vescor

1864 Nagle Ave. P. O. Box 1810

Manitowoc, WI 54221-1810

Phone: (920) 682-6877 Fax: (920) 684-7210

E-MAIL: sales@ldi-industries.com WEBSITE: www.ldi-industries.com