

BACK MOUNTING LIQUID LEVEL GAGES - WITH AND WITHOUT THERMOMETER

A patented, economical closed circuit style liquid level gage similar to our SERIES G605, except that it is for installation where there is access to the inside of the tank. It offers minimum protrusion from the tank and because there are no bolt heads on the exterior face of the gage, it has a smooth, clean profile. The thermometer series gages have a protected sensing element that extends well into the tank - unaffected by ambient temperatures. Gages are furnished complete including O-ring seals and hex nuts for mounting. Mounting requires two .52 (13.21mm) dia. holes to match the gage mounting centers. Mounting studs accommodate all tank walls through .75 (19.05mm) thickness. For installations where gage is bolted to cylindrical tank wall, conical sleeves are available. **Please specify** when ordering. **For gages 13.00 (330.20mm) and greater see our SERIES G605 and G615 on Bulletin F327-5 / -15.**

STANDARD MATERIALS:

- Aluminum construction
- Buna N seals
- Borosilicate glass with redline on white background for distinct level reading and maximum fluid compatibility

OPERATING CONDITIONS:

- See ENG. STD. 109

HOW TO ORDER:

Use code letters

for body material:

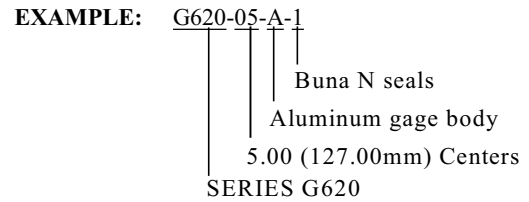
- A - Aluminum gage body (standard)
- B - Brass gage body (optional)
- S - Steel gage body (optional)
- Y - Stainless Steel gage body (optional)

Use code number

for seal material:

- 1 - Buna N seals (standard)
- 2 - Butyl seals (optional)
- 3 - Viton A® seals (optional)
- 4 - Ethylene propylene seals (optional)
- 10- Neoprene seals (optional)

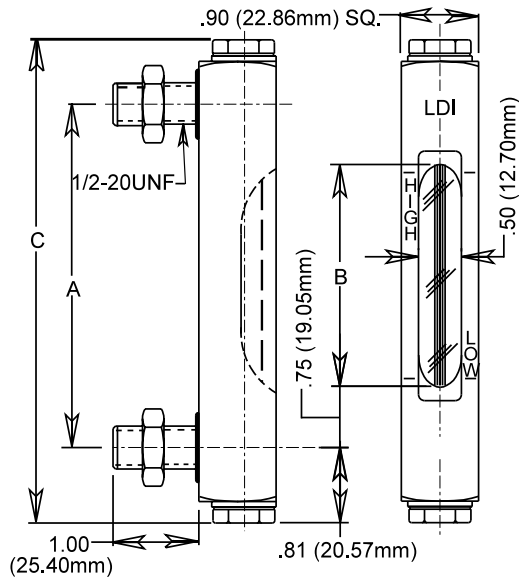
First, specify series number, then mounting centers, then kind of metal, and finally seal material, separating each with a dash (-):



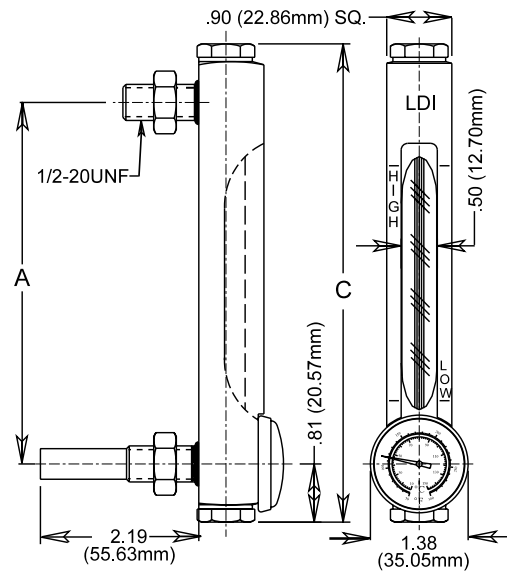
NOTE: The sight opening in all cases is 1.50 (38.10mm) less than mounting centers and overall length is 1.62 (41.15mm) greater than mounting centers.

SERIES G610 WITHOUT THERM.	SERIES G620 WITH THERM.	A - CENTERS INCHES (mm)	B - SIGHT INCHES (mm)	C - LENGTH INCHES (mm)
G610	G620	03 (76.20)	1.50 (38.10)	4.62 (117.35)
G610	G620	04 (101.60)	2.50 (63.50)	5.62 (142.75)
G610	G620	05 (127.00)	3.50 (88.90)	6.62 (168.15)
G610	G620	06 (152.40)	4.50 (114.30)	7.62 (193.55)
G610	G620	07 (177.80)	5.50 (139.70)	8.62 (218.95)
G610	G620	08 (203.20)	6.50 (165.10)	9.62 (244.35)
G610	G620	09 (228.60)	7.50 (190.50)	10.62 (269.75)
G610	G620	10 (254.00)	8.50 (215.90)	11.62 (295.15)
G610	G620	12 (304.80)	10.50 (266.70)	13.62 (345.95)

SERIES G610 - SIGHT ONLY



SERIES G620 WITH DIAL THERMOMETER



BACK MOUNTING LIQUID LEVEL GAGES - WITH AND WITHOUT THERMOMETER
7/06 **BULLETIN F327-10 / -20**
ISO9001:2000 CERTIFIED



Lube Devices • Flodar • Hydra-Tool • Vescor
1864 Nagle Ave. P. O. Box 1810
Manitowoc, WI 54221-1810
Phone: (920) 682-6877 Fax: (920) 684-7210
E-MAIL: sales@ldi-industries.com WEBSITE: www.ldi-industries.com