

RESERVOIRS-GRAVITY WITH FILTER & LOW LEVEL SWITCH

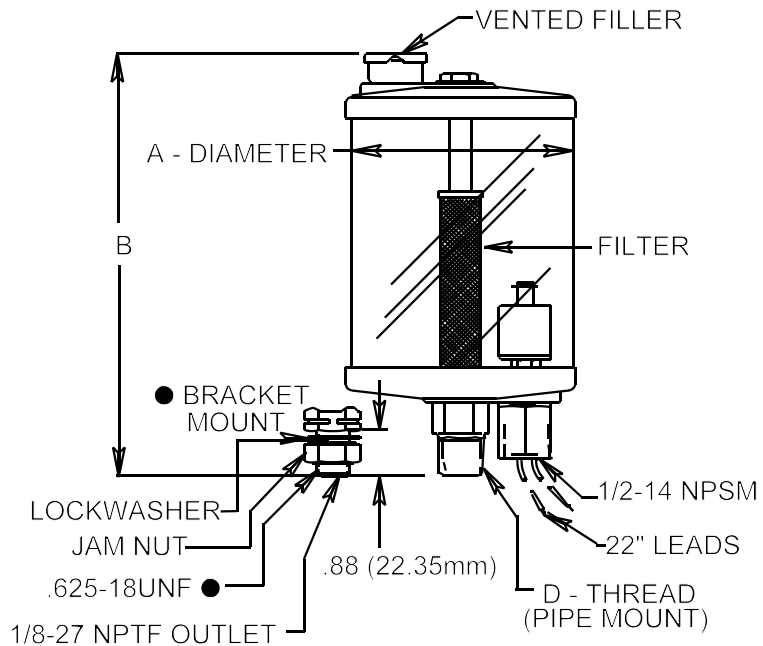
LDI INDUSTRIES' gravity feed reservoirs without flow control are ideal for use as makeup or replenishing reservoirs. They can be installed in most cases to serve both as an oil cup to maintain oil level and as an oil gage to provide a full 360° visual check of fluid level and condition. All reservoirs feature self-closing snap lid filler caps, vented on vertical plane to minimize the possibility of dust and dirt from entering the reservoir through the vent. Reservoirs can be disassembled for occasional cleaning. The low level switch provides an electrical interface to activate a low reservoir level alarm or monitor used to determine when to refill the reservoir. Pipe or bracket mount styles are available. DPDT, 10A, 120V, 60Hz, relay for switch is available, ask for Part No. 812100.

STANDARD MATERIALS:

- Aluminum construction
- Buna N seals/float
- Break resistant, colorless transparent polymer
- 100 mesh stainless steel filter in reservoir
- 10 VA switch closes on descending level

OPERATING CONDITIONS:

- Maximum working temperature up to 140°F (60°C)
- Ratings are at atmospheric pressure



CATALOG NUMBER	CAPACITY	A INCHES (mm)	B INCHES (mm)	D THREAD
POLYMER				▼BRASS SHANK
R111-02FS	1 quart (.946 liter)	4.25 (107.95)	7.78 (197.61)	1/4-18 NPTF
R111-03FS				3/8-18 NPTF
R111-04FS				1/2-14 NPTF
R111-08FS				.625-18 UNF ●
R112-02FS	1/2 gallon (1.9 liter)	5.50 (139.70)	9.91 (251.72)	1/4-18 NPTF ▼
R112-03FS				3/8-18 NPTF
R112-04FS				1/2-14 NPTF
R112-08FS				.625-18 UNF ●
R113-02FS	1 gallon (3.8 liter)	5.50 (139.70)	14.91 (378.72)	1/4-18 NPTF ▼
R113-03FS				3/8-18 NPTF
R113-04FS				1/2-14 NPTF
R113-08FS				.625-18 UNF ●

RESERVOIRS -GRAVITY
WITH FILTER AND LOW LEVEL SWITCH
8/06 **BULLETIN F357-8**
ISO9001:2000 CERTIFIED



Lube Devices ● Flodar ● Hydra-Tool ● Vescor
1864 Nagle Ave. P. O. Box 1810
Manitowoc, WI 54221-1810
Phone: (920) 682-6877 Fax: (920) 684-7210
E-MAIL: sales@ldi-industries.com WEBSITE: www.ldi-industries.com