

RESERVOIRS - ELECTRO SINGLE FEED, VERTICAL MOUNT

Sturdily constructed automatic solenoid controlled lubricator provides precise control of lubricant through needle valve. Normally closed solenoid is usually wired across machine starting switch to provide automatic off / on full flow fluid control. Feeding stops when machine is turned off. Compact center solenoid valve and mounting shank combination provides good weight distribution and facilitates mounting. For outdoor or damp applications, **Please specify anodized.** Other commercial voltages available - **Please specify.** For replacement needle valve - please order part number N403-04. See bulletin #F337.

STANDARD MATERIALS:

- Aluminum top and bottom plates
- Buna N seals
- Break resistant, colorless transparent acrylic
- Class "B" molded water resistant coil

OPERATING CONDITIONS:

- Maximum operating temperature up to 160°F (71.1°C)
- Rating is at atmospheric pressure

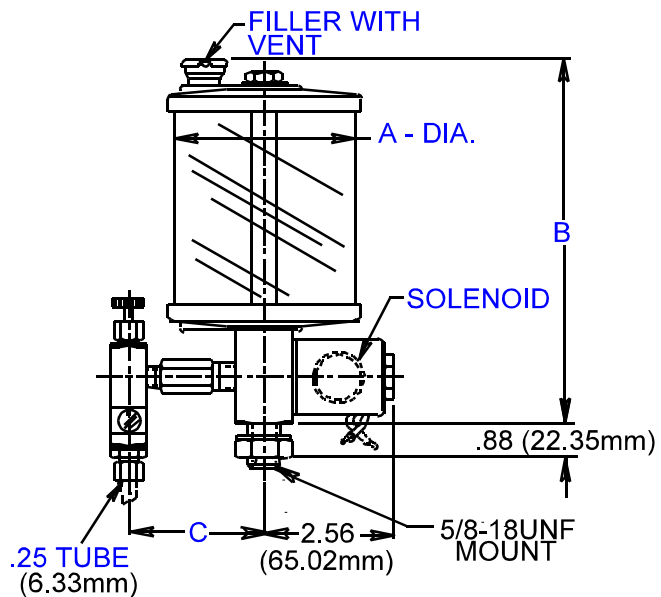
HOW TO ORDER:

After catalog number, specify the voltage / hertz you require, separating each with a dash.

- 26 120V, 60Hz, 1Ph (Standard)
- 27 240V, 60Hz, 1Ph (Standard)
- 28 480V, 60Hz, 1Ph
- 43 24V DC

EXAMPLE: REO155 -26

120V, 60Hz, 1Ph
Series REO155- 1 pint
(.473liter) capacity reservoir



CATALOG NUMBER	CAPACITY	A INCHES (mm)	B INCHES (mm)	C INCHES (mm)
REO151	2-1/2 ounce (73.9 milliliter)	2.00 (50.80)	4.69 (119.13)	1.58 (40.13)
REO152	5 ounce (147.9 milliliter)	2.50 (63.50)	5.19 (131.83)	2.06 (52.32)
REO153	9 ounce (266.2 milliliter)	3.00 (76.20)	6.00 (152.40)	2.38 (60.45)
REO154	12 ounce (354.9 milliliter)	3.00 (76.20)	7.00 (177.80)	2.38 (60.45)
REO155	1 pint (.473 liter)	3.50 (88.90)	7.00 (177.80)	2.69 (68.33)
REO156	1 quart (.946 liter)	4.25 (107.95)	8.44 (214.38)	2.75 (69.85)
REO157	1/2 gallon (1.9 liter)	5.50 (139.70)	10.44 (265.18)	3.53 (89.66)
REO158	1 gallon (3.8 liter)	5.50 (139.70)	15.44 (392.18)	3.81 (96.77)
REO159	2 gallon (7.6 liter)	5.50 (139.70)	28.44 (722.38)	3.50 (88.90)

RESERVOIR-ELECTRO SINGLE FEED,
VERTICAL MOUNT

5/02 BULLETIN F397-1



LUBE DEVICES, INC.

1864 NAGLE AVE., P.O. BOX 1810, MANITOWOC, WI 54221-1810
PHONE: (920) 682-6877 FAX: (920) 684-7210
E-MAIL: sales@lubedevices.com WEBSITE: www.lubedevices.com